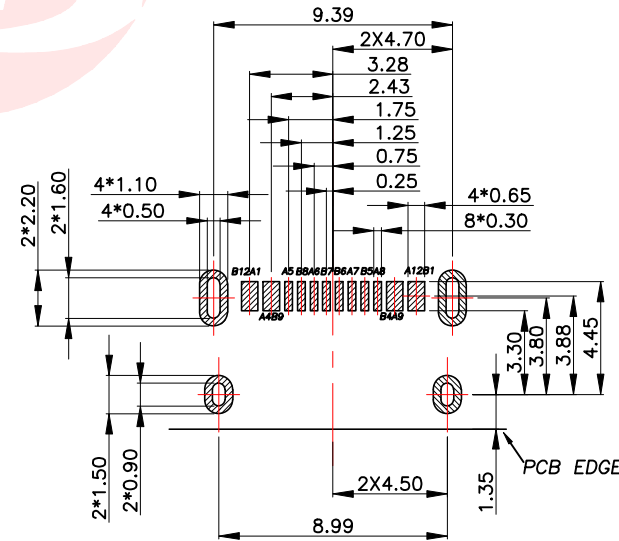
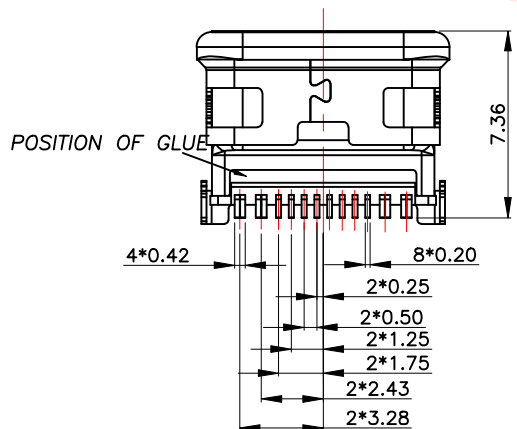
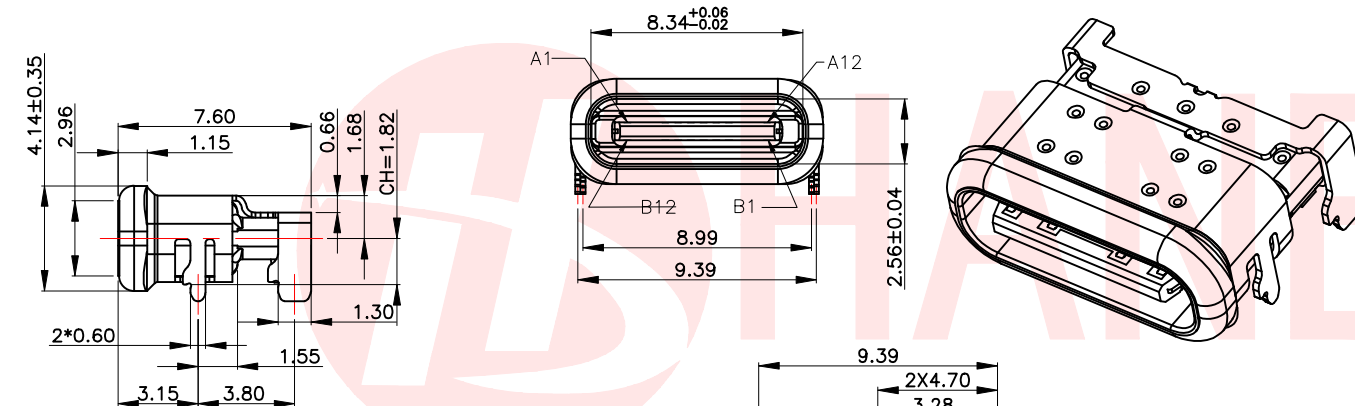
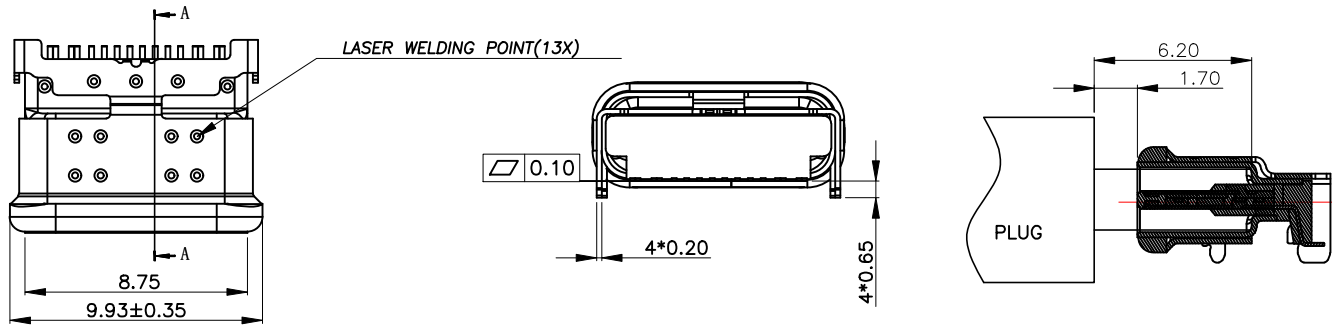




REV.	ECN NO OR DESCRIPTION	REVISED	DATE



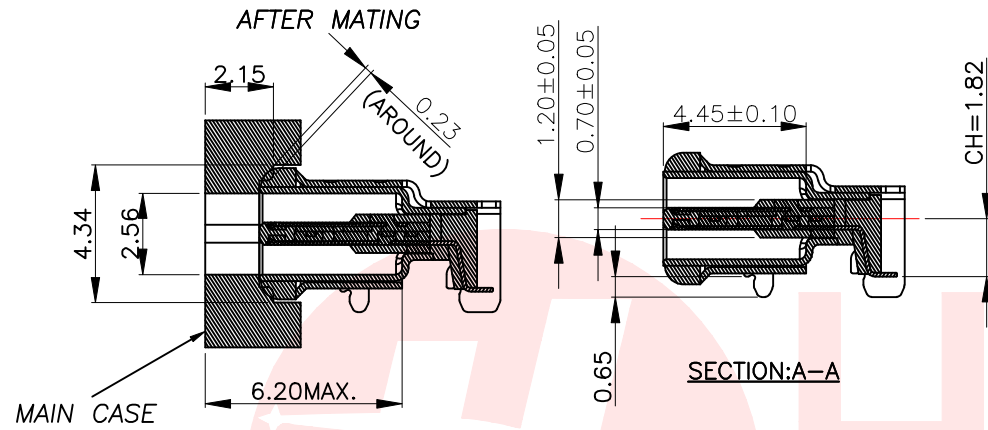
RECOMMENDED PCB LAYOUT(TOP VIEW)
THICKNESS 1.0±0.10MM;DEFAULT TOLERANCE:±0.05

- NOTE:
- MATERIAL SPECIFICATION:
 - HOUSING:HIGH TEMPERATURE RESISTANT PLASTIC,UL94 V-0.
 - TERMINAL:COPPER ALLOY
 - MID PLATE: STAINLESS STEEL
 - OUT SHELL: STAINLESS STEEL
 - INNER SHELL: STAINLESS STEEL
 - GLUE:EPOXY,BLACK
 - OUT GASKET:UV GLUE SH-5102-GM,RED
 - PLATING SPECIFICATION:
 - CONTACTS:
 - Ni 50u" MIN. UNDER PLATED OVER ALL.
Au PLATED ON THE FUNCTIONAL AREA OF CONTACT.
(GOLD PLATING THICKNESS FOLLOW THE P/N)
 - OUT SHELL&INNER SHELL:
 - Ni 30u" MIN. UNDER PLATED OVER ALL.
 - MID PLATE:
 - CLEAR ONLY
 - MECHANICAL PERFORMANCE,
 - INSERTION FORCE: 0.5~2.0kgf.
 - REMOVAL FORCE: 0.8kgf~2.0kgf.
 - DURABILITY: 10000 CYCLES.
 - ELECTRICAL PERFORMANCE,
 - VOLTAGE RATING:5 V DC/AC (RMS. max)
CURRENT RATING:5 AMPS. FOR TOTAL VBUS/GND PINS;
1.25AMPS FOR CC PIN,0.25 AMPS. FOR ALL OTHER CONTACT.
 - LLCR:
 - VBUS & GND PINS AND OTHER PINS: 40ma/PIN MAX.
SHIELD: 50ma/MAX.
LLCR MAX. CHANGE OF ALL PINS: 10ma.
 - INSULATION RESISTANCE: 100MΩ MIN
 - DIELECTRIC WITHSTAND VOLTAGE,AC 100V FOR 1 MINUTE.
 - ENVIRONMENTAL PERFORMANCE:
 - OPERATING TEMPERATURE: -25°C~+85°C.
 - IR REFLOW:
 - THE PEAK TEMPERATURE ON THE BOARD SHALL BE MAINTAINED FOR 10 SECONDS AT 260°C.
 - WATERPROOF:IPX7

UNLESS OTHERWISE SPECIFIED TOLERANCES		东莞市汉博电子科技有限公司 DONGGUAN HANBO TECHNOLOGY CO., LTD			
DECIMALS:	ANGLES:	TITLE USB CF 16PIN SMT TYPETOP-MOUNT CH=1.82			
X :±0.30	X :±2°	DWN	xiong	PART NO. MC-105FLD	
X.X :±0.20	X.X :±1°	CHKD	lee	SCALE:1:1	UNIT: mm
X.XX :±0.10		APVD	wang	SIZE: A4	SHEET:10F 1
		REV: A4			
CUSTOMER COPY					

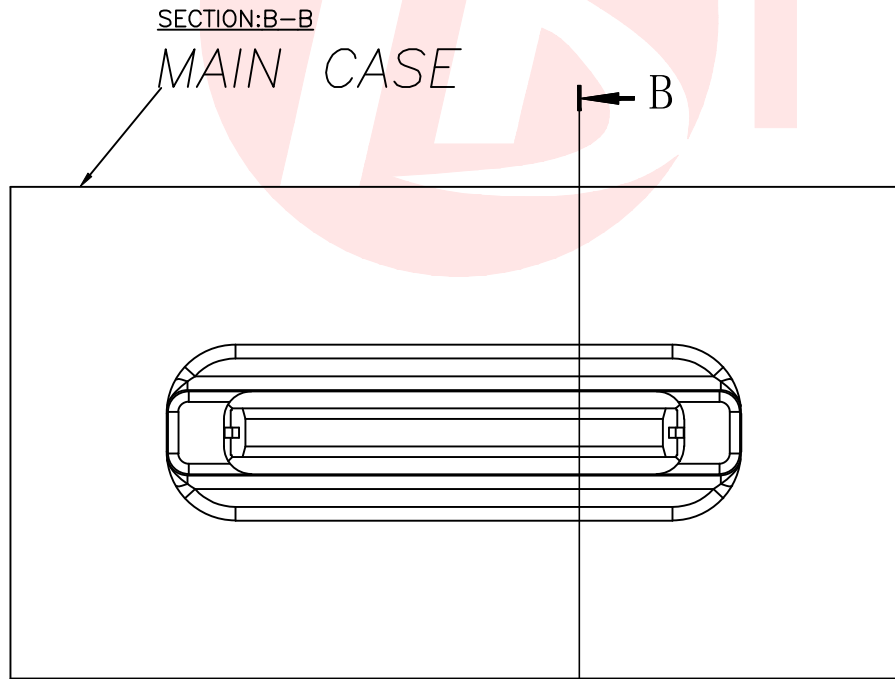


REV.	ECN NO OR DESCRIPTION	REVISED	DATE



USB TYPE-C PIN ASSIGNMENTS

PIN NUMBER	SIGNAL NAME	PIN NUMBER	SIGNAL NAME
A1	GND	B12	GND
A4	VBUS	B9	VBUS
A5	CC1	B8	SBU2
A6	Dp1	B7	Dn2
A7	Dn1	B6	Dp2
A8	SBU1	B5	CC2
A9	VBUS	B4	VBUS
A12	GND	B1	GND



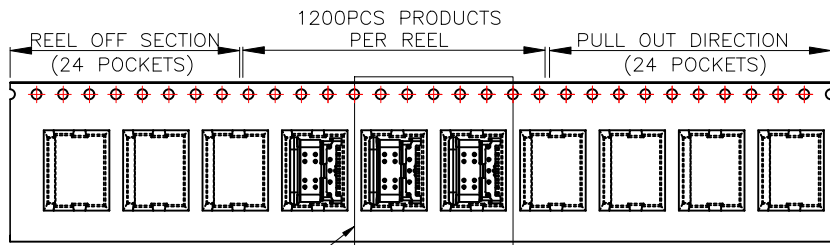
UNLESS OTHERWISE SPECIFIED TOLERANCES

DECIMALS:	ANGLES:	东莞市汉博电子科技有限公司 DONGGUAN HANBO TECHNOLOGY CO., LTD			
X : ±0.30	x : ±2°	TITLE	USB CF 16PIN SMT TYPETOP-MOUNT CH=1.82		
X.X : ±0.20	X.X : ±1°	DWN	xiong	PART NO. MC-105FLD	
X.XX : ±0.10		CHKD	lee	SCALE: 1:1	UNIT: mm
		APVD	wang	SIZE: A4	SHEET: 10F 1
				REV: A4	

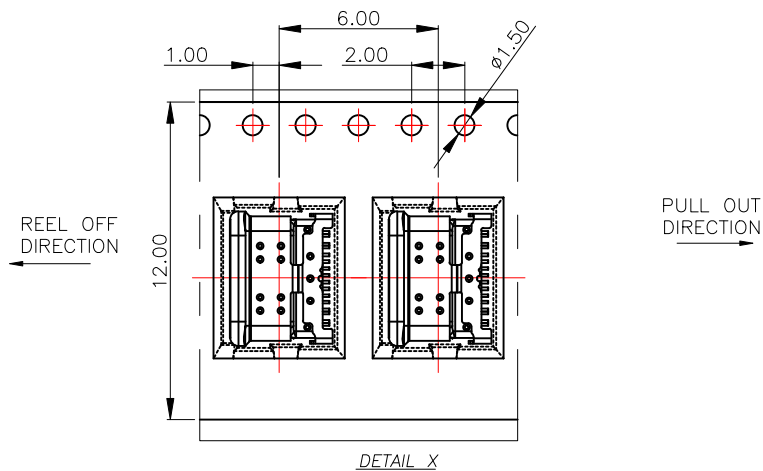
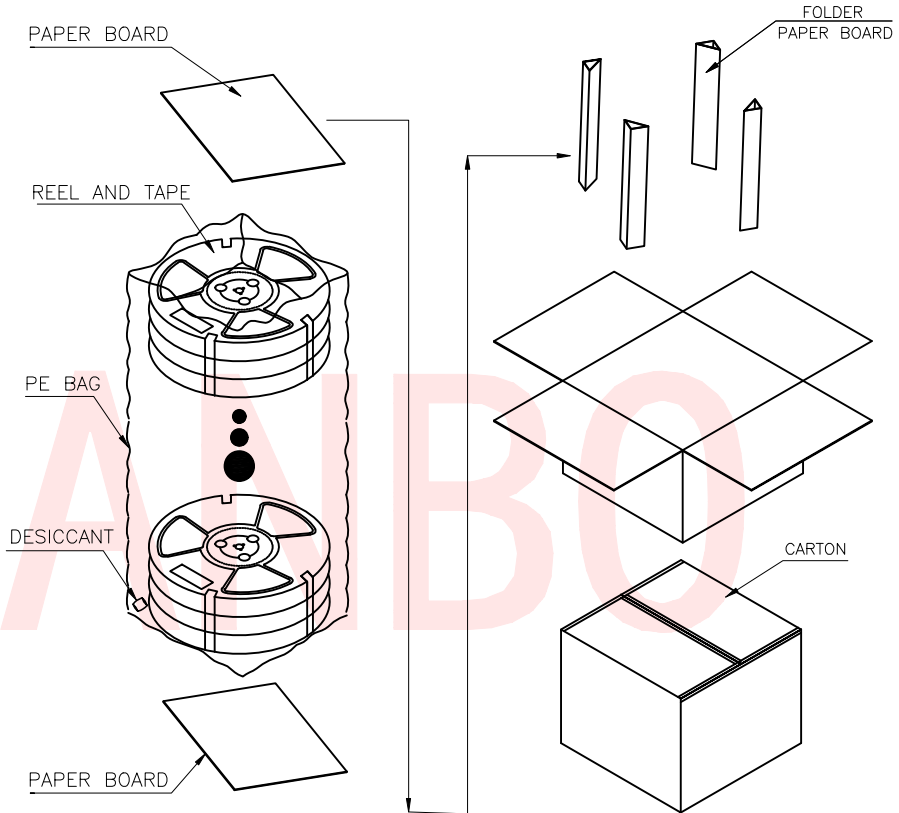
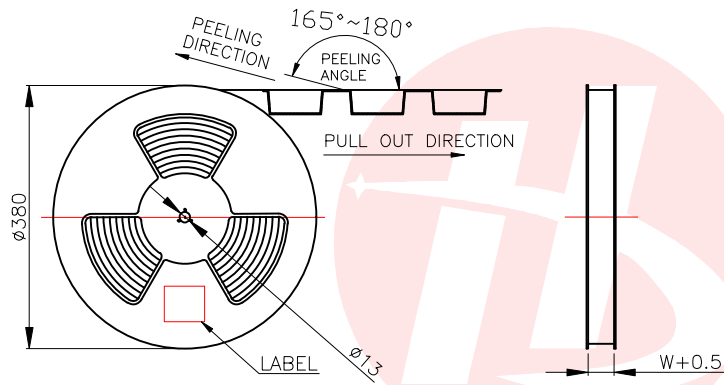
CUSTOMER COPY



REV.	ECN NO OR DESCRIPTION	REVISED	DATE



SEE DETAIL X



	REEL/TRAY	CARTON
CONNECTOR (PCS)	1200	12000
UNLESS OTHERWISE SPECIFIED TOLERANCES	东莞市汉博电子科技有限公司 DONGGUAN HANBO TECHNOLOGY CO., LTD	
DECIMALS:	TITLE USB CF 16PIN SMT TYPETOP-MOUNT CH=1.82	
ANGLES:	DWN xiong PART NO. MC-105FLD	
X : ±0.30	X : ±2°	CHKD lee SCALE:1:1 UNIT: mm
X.X : ±0.20	X.X : ±1°	APVD wang SIZE: A4 SHEET:10F 1 REV: A4
X.XX : ±0.10	CUSTOMER COPY	