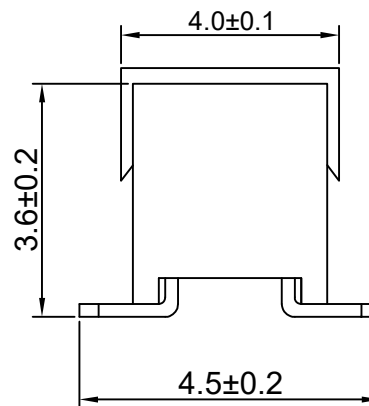
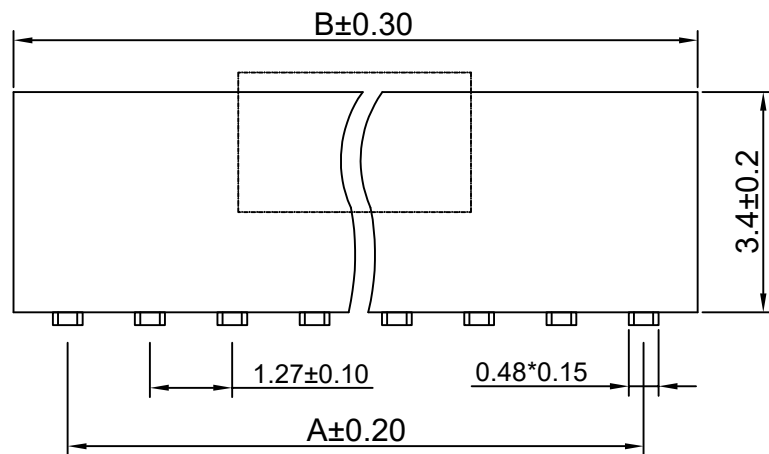
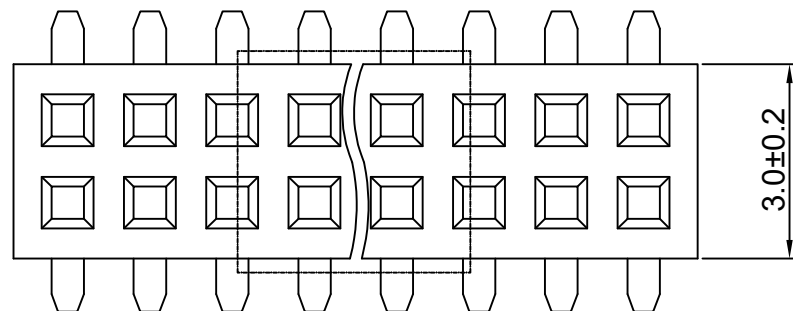


RoHS

REV	ECN NO.	DESCRIPTION	DESIGN	APPROVAL	DATE
A1	NEW	更换图框			2024.05.24



SPECIFICATIONS

- Current rating: 1A AC, DC
- Temperature range: -40°C ~ +105°C
- Insulation resistance: 1000MΩ Min.
- Withstanding voltage: 500V AC/ minute.
- Contact resistance: 20mΩ Max.

Material:

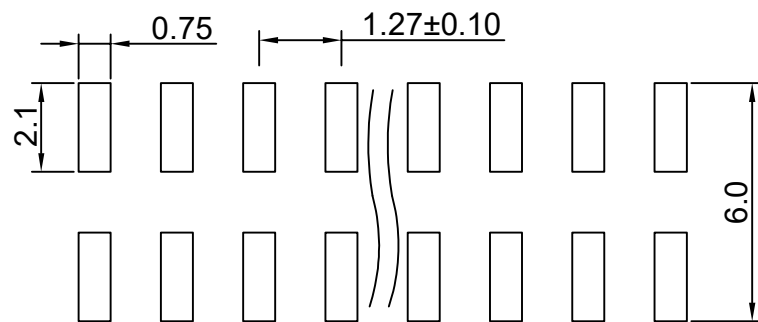
Insulator Material: PA9T (UL 94V-0)
 Contact Material: Phosphor Bronze
 Plating: Gold Flash
 Mate with XFCN PZ127 Double Row series

Ordering Code:

PM127VS-12-XX-H34-4.5-R
 1 2 3

1. 序列号
2. Pin位数: 2x2=04P
2x10=20P
2x20=40P
3. R: 加盖卷装

Pin/Row	Dimension	
	A	B
2x02	1.27	3.04
2x03	2.54	4.31
2x04	3.81	5.58
2x05	5.08	6.85
2x06	6.35	8.12
2x07	7.62	9.39
2x08	8.89	10.66
2x09	10.16	11.93
2x10	11.43	13.20
2x11	12.70	14.47
2x12	13.97	15.74
2x13	15.24	17.01
2x14	16.51	18.28
2x15	17.78	19.55
2x16	19.05	20.82
2x17	20.32	22.09
2x18	21.59	23.36
2x19	22.86	24.63
2x20	24.13	25.90
2x21	25.40	27.17
2x22	26.67	28.44
2x23	27.94	29.71
2x24	29.21	30.98
2x25	30.48	32.25
2x26	31.75	33.52
2x27	33.02	34.79
2x28	34.29	36.06
2x29	35.56	37.33
2x30	36.83	38.60
2x31	38.10	39.87
2x32	39.37	41.14
2x33	40.64	42.41
2x34	41.91	43.68
2x35	43.18	44.95
2x36	44.45	46.22
2x37	45.72	47.49
2x38	46.99	48.76
2x39	48.26	50.03
2x40	49.53	51.30
2x41	50.80	52.57
2x42	52.07	53.84
2x43	53.34	55.11
2x44	54.61	56.38
2x45	55.88	57.65
2x46	57.15	58.92
2x47	58.42	60.19
2x48	59.69	61.46
2x49	60.96	62.73
2x50	62.23	64.00



PCB LAYOUT

X.±0.50	X.°±
.X±0.25	.X°±
.XX±0.15	.XX°±
.XXX±0.10	.XXX°±
UNITS:	mm

THESE DRAWINGS AND SPECIFICATIONS ARE THE PROPERTY OF XFCN AND SHALL NOT BE REPRODUCED, COPIED OR CUED IN ANY MANNER WITHOUT THE PRIOR WRITTEN CONSENT OF XFCN

PART NO:		PM127VS-12-XX-H34-4.5-R		XFCN 兴飞连接器	
TITLE:		1.27mm Pin Header Connectors		0769-82001899	
				www.xfconn.com	
				DWG NO: /	
APPD	Chen ZhiQiang	VIEW			
CHKD	Liu Wei	SCALE	SHEET	REV	
DRAW	Chen HongJiang	NONE	1/1	A1	
DATE	2024.06.18				