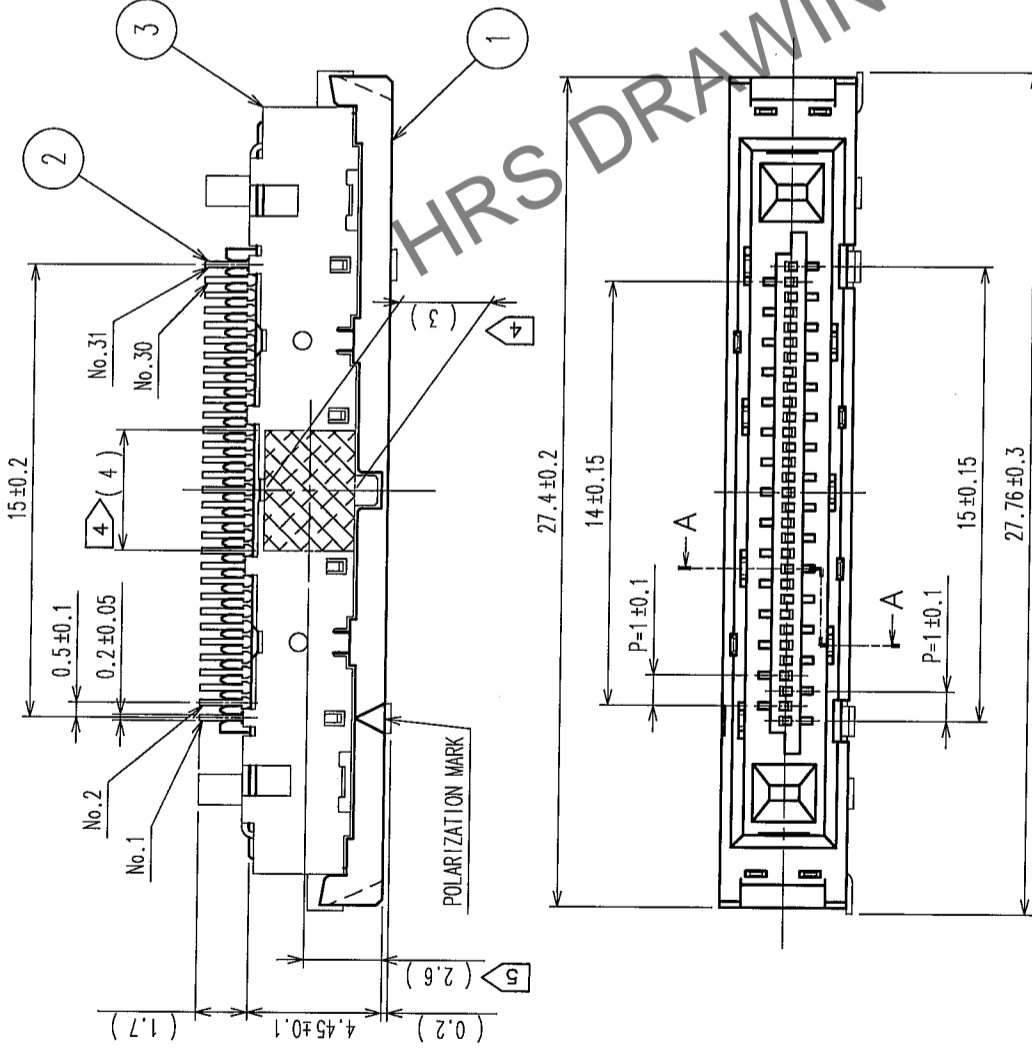
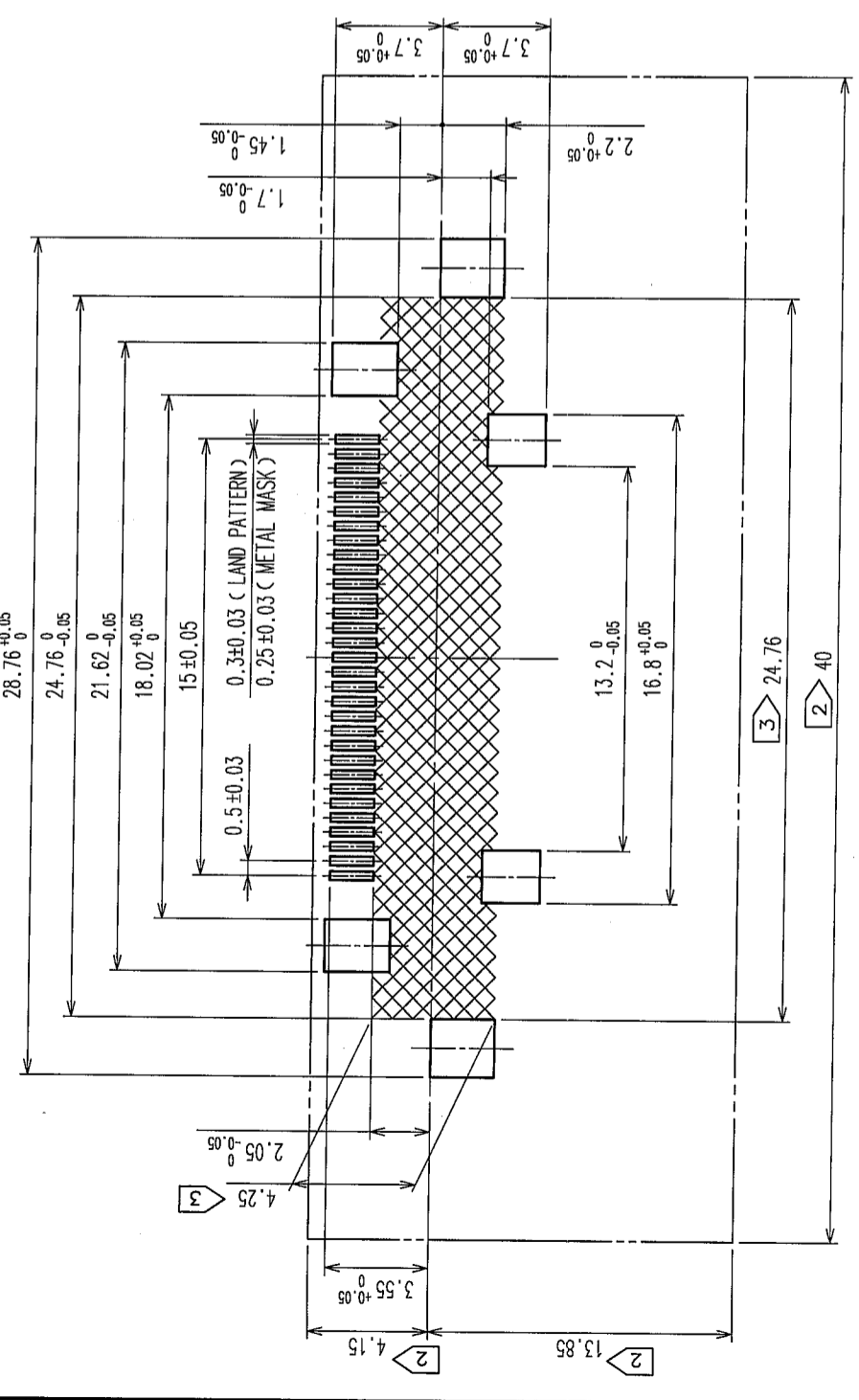


COUNT	DESCRIPTION OF REVISIONS	BY	CHKD	DATE	COUNT	DESCRIPTION OF REVISIONS	BY	CHKD	DATE
1	DIS-F-000562	K.S.H.Y		05.10.31					



RECOMMENDED LAND PATTERN DIMENSION OF P.C.B



- NOTE
- LEAD-COPLANARITY OF THIS PRODUCT TO BE 0.1MAX FOR SMT LEAD AND 0.15MAX FOR GROUND PLATE LEAD.
  - DO NOT MOUNT OTHER DEVICES ONTO [ ] AREA, OR MATINGPAIR CANNOT BE MATED AND OPERATED THE LOCK PARTS.
  - [ ] AREA OF INNER SMT LAND REQUIRES PATTERN PROHIBITION OR RESIST TREATMENT TO PREVENT THE PATTERN TOUCHING TO THE CONTACTS.
  - [ ] AREA IS VACUUM PICKUP AREA FOR REFERENCE.
  - THE DIMENSION IS THE CENTER OF VACUUM PICKUP AREA.
  - THE DIMENSIONS IN PARENTHESES ARE FOR REFERENCE.
  - PACKAGING FOR THIS PRODUCT APPLIES EMBOSSED CARRIER TAPE PACKAGING. SEE SHEET 2/2 FOR DETAILS.

NO.	MATERIAL	FINISH, REMARKS	NO.	MATERIAL	FINISH, REMARKS
3	NICKEL SILVER		2	PHOSPHOR BRONZE	
1	PA	BLACK UL94V-0			

CONTACT AREA: GOLD	0.1μm min	LEAD AREA: TIN-PLATING	1μm min	UNDER PLATING: NICKEL	0.5μm min

CODE NO. (OLD)	CL	DESIGNED	CHECKED	APPROVED	RELEASED
		K. SHIBUYA	H. YAMAGUCHI	H. OKAWA	
		05.08.04	05.08.04	05.08.05	

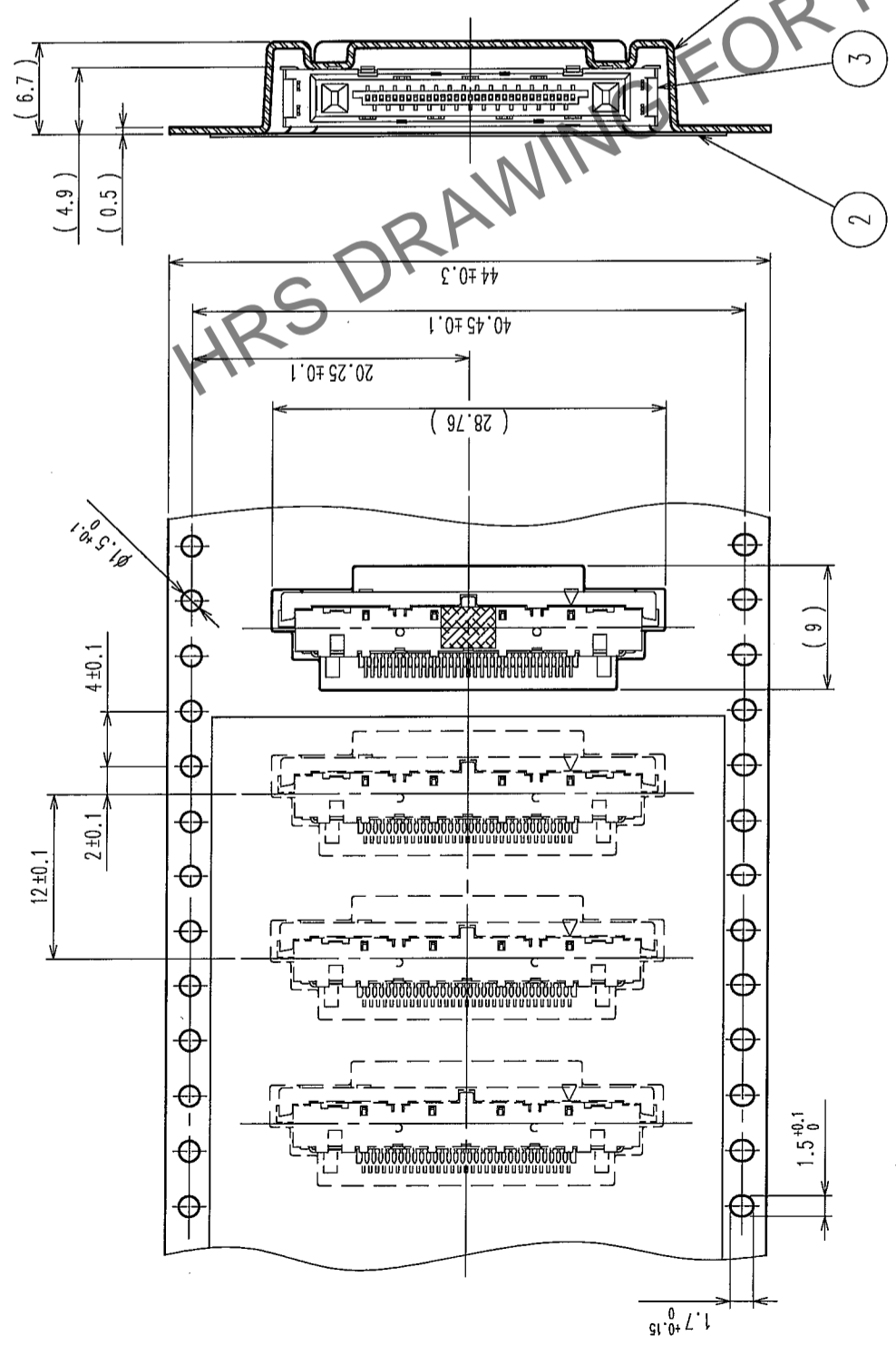
DRAWING NO.	PART NO.
EDC3-155934	FX15S-31S-0.5SH

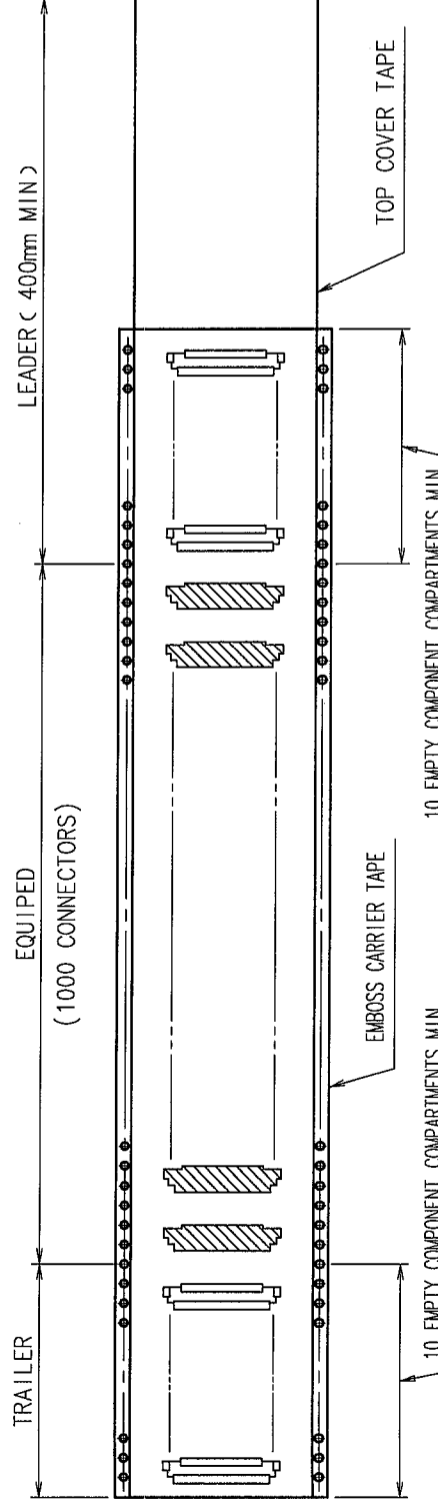
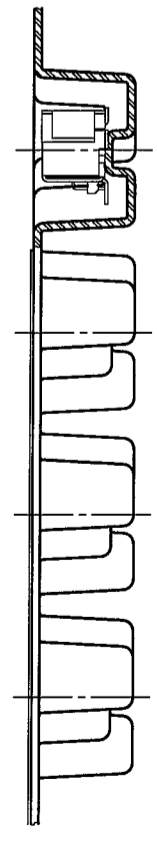
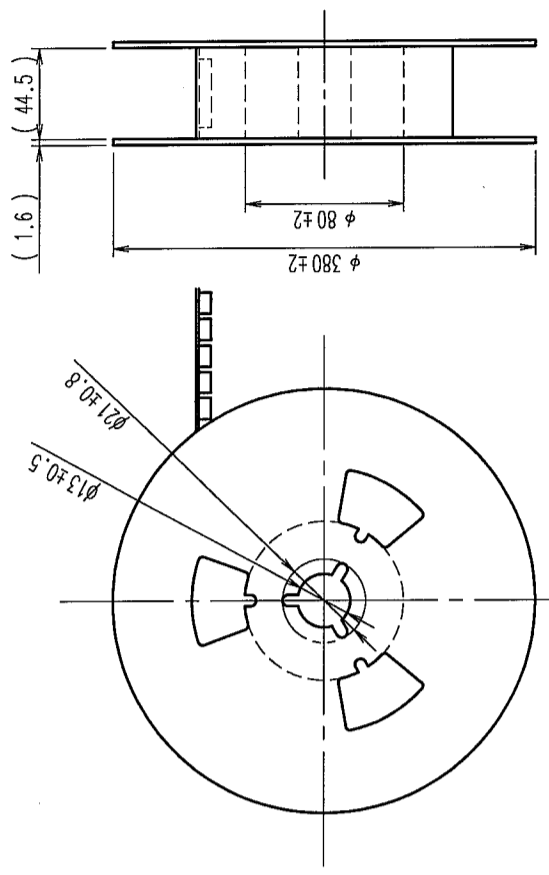
SCALE	UNITS	CODE NO.
4 : 1	mm	CL575-2306-5

COUNT	DESCRIPTION OF REVISIONS	BY	CHKD	DATE	COUNT	DESCRIPTION OF REVISIONS	BY	CHKD	DATE
△					△				
△					△				
△					△				

THE DIRECTION OF PULLING OUT



REELED DIMENSION (FREE)



NOTE 1. 1 REEL : 1000 CONNECTORS.

EMBOSS CARRIER TAPE		CONNECTOR	
NO.	MATERIAL	EMBOSS CARRIER TAPE	TOP COVER TAPE
1	PS	3	POLYESTER
FINISH, REMARKS		FINISH, REMARKS	
NO.	MATERIAL	NO.	MATERIAL
CODE NO. (OLD)	CL	DESIGNED	CHECKED
		K. SHIBUYA	H. YAMAGUCHI
		05.08.04	05.08.05
		05.08.04	05.08.05
		APPROVED	RELEASED
		H. OKAWA	
		05.08.05	

DRAWING NO.	PART NO.
EDC3-155934	FX15S-31S-0.5SH
SCALE	CODE NO.
2 : 1	CL575-2306-5
UNITS	
mm	



HIROSE ELECTRIC CO., LTD