

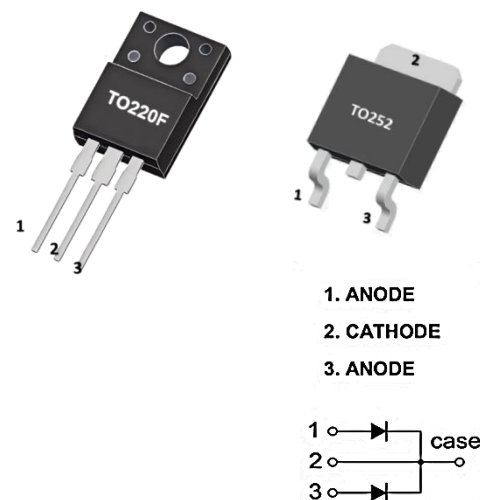
# MBR(D/F)30200CT

## SCHOTTKY BARRIER RECTIFIER

### DESCRIPTION

The MBR(D/F)30200CT is a 30A schottky barrier rectifier, it uses our advanced technology to provide the customers with high surge capability, high efficiency, high current capability, low power loss and low forward voltage drop, etc.

The MBR(D/F)30200CT is suitable for free wheeling and polarity protection, etc.



### FEATURE

- \* Schottky Barrier Chip
- \* Guard Ring Die Construction for Transient Protection
- \* High Current Capability and Low Forward Voltage Drop

### MARKING (The image is for reference only. Please take the actual product as the standard)



MBR(D/F)30200CT=Device Code  
 XXXX(X)=Date Code  
 Solid Dot=Green molding compound

### ABSOLUTE MAXIMUM RATINGS (TA=25°C, unless otherwise specified.)

SYMBOL	PARAMETER	VALUE	UNIT	
VRRM	Peak repetitive reverse voltage	200	V	
VRWM	Working peak reverse voltage		V	
VR	DC blocking voltage		V	
VR(RMS)	RMS reverse voltage	140	V	
IO	Average rectified output current	30 (15*2)	A	
IFSM	Non-Repetitive peak forward surge current( 8.3ms half sine wave)	200*2	A	
Tj	Junction temperature	175	°C	
Tstg	Storage temperature	-55~+150	°C	
RθJA	Thermal Resistance from Junction to Ambient	TO-252	62	°C/W
		TO-220F	62.5	
RθJC	Thermal Resistance From Junction To Case	TO-252	4.5	°C/W
		TO-220F	3	

Notes: Absolute maximum ratings are those values beyond which the device could be permanently damaged. Absolute maximum ratings are stress ratings only and functional device operation is not implied.



# MBR(D/F)30200CT

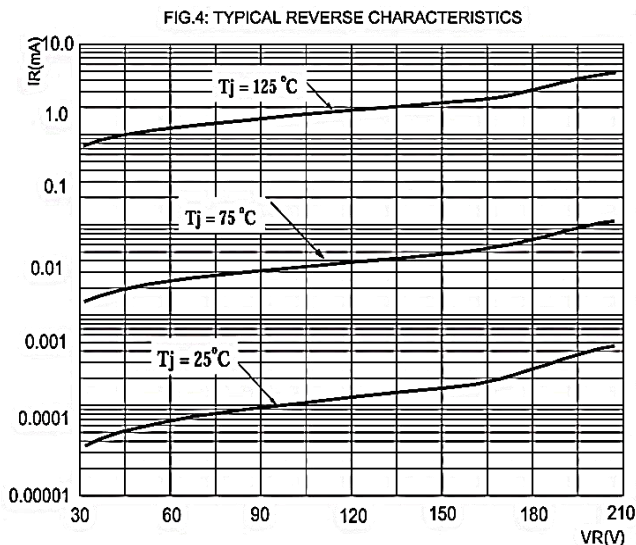
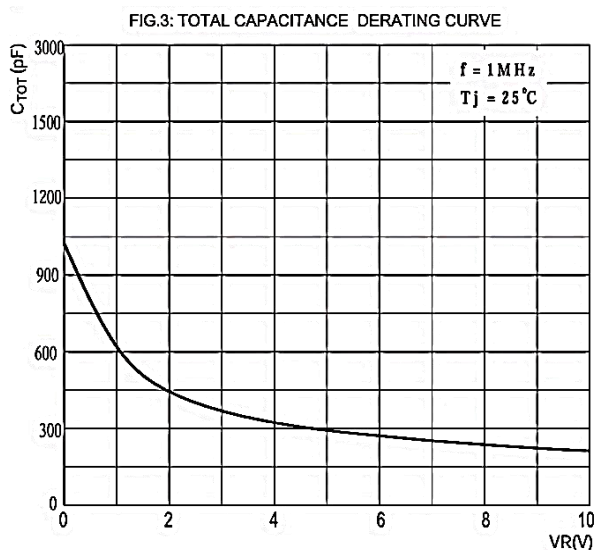
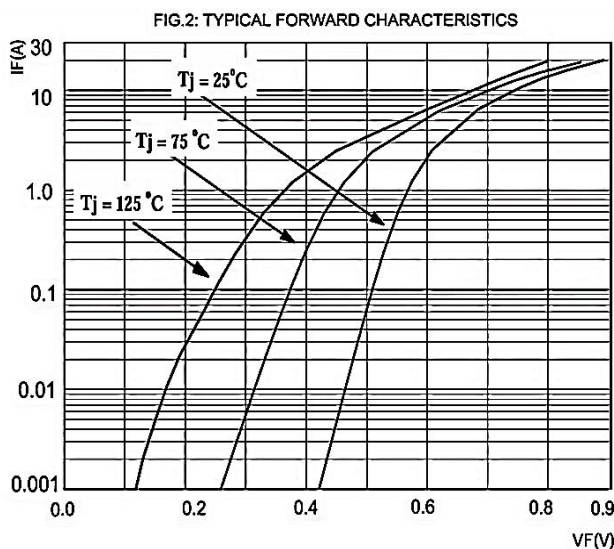
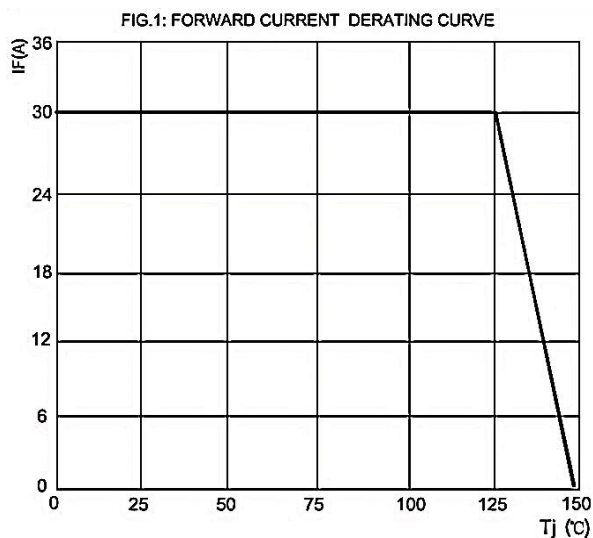
## SCHOTTKY BARRIER RECTIFIER

### ELECTRICAL CHARACTERISTICS (TA=25°C, unless otherwise specified)

PARAMETER	SYMBOL	TEST CONDITIONS	MIN	TYP	MAX	UNIT	
Reverse Voltage	$V_{(BR)R}$	$I_R=0.2mA$	200			V	
Reverse current	$I_R$	$V_R=200V$	$T_j=25^\circ C$		100	$\mu A$	
			$T_j=125^\circ C$		5.0	mA	
Forward voltage	$V_F$	$I_F=5A$	$T_j=25^\circ C$		0.9	V	
			$T_j=125^\circ C$		0.71	V	
		$I_F=15A$	$T_j=25^\circ C$			1.0	V
			$T_j=125^\circ C$		0.75		V

Notes: 1. Pulse Test: Pulse Width=300 $\mu s$ , Duty Cycle $\leq 2.0\%$ .

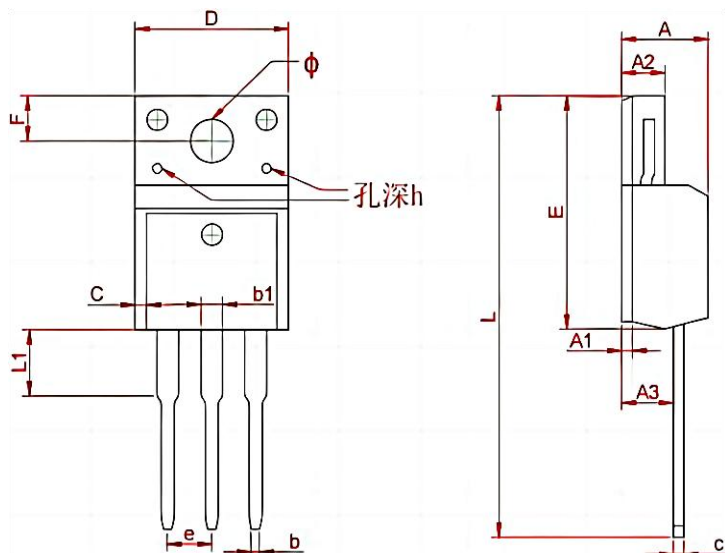
### TYPICAL CHARACTERISTICS



# MBR(D/F)30200CT

# SCHOTTKY BARRIER RECTIFIER

## TO - 220F Package Outline Dimensions

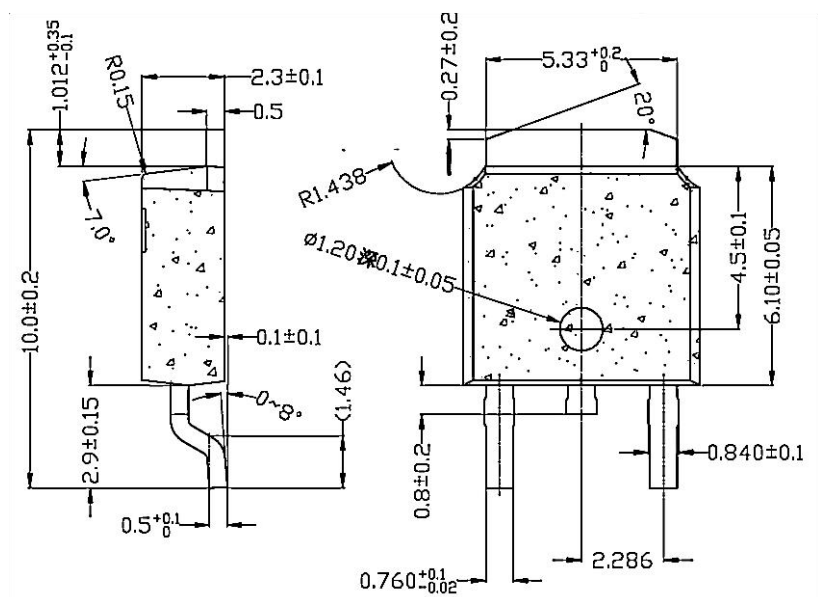


Symbol	Dimensions In Millimeters	
	Min	Max
A	4.300	4.750
A1	0.7 REF	
A2	2.300	2.850
A3	2.500	2.900
b	0.380	0.420
b1	1.220	1.280
C	1.08	1.200
c	0.480	0.520
D	10.15	10.450
E	15.700	15.950
e	2.574 TYP	
F	3.470 REF	
y	3.200 REF	
h	0.000	0.800
L	28.780	28.900
L1	2.990	3.100

## TO - 220F Packing Information

Package version	Tube dimensions LxWxH (mm)	Per Tube (pcs)	Tube per box	Inner box dimensions LxWxH (mm)	PCS/ Inner box	Outer box dimensions LxWxH(mm)	PCS/ Outer box
TO-220F	530*32*7	50	20	580*155*50	1000	602*277*188	5000

■ **TO - 252 Package Outline Dimensions**



■ **TO - 252 Packing Information**

Package version	Reel dimensions Φ × H (mm)	Per Reel (pcs)	Reels per box	Inner box dimensions L × W × H (mm)	Outer box (pcs)	Outer box dimensions L × W × H (mm)
T0-252	Φ 330*20	2500	2	360*340*50	25000	375*375*280