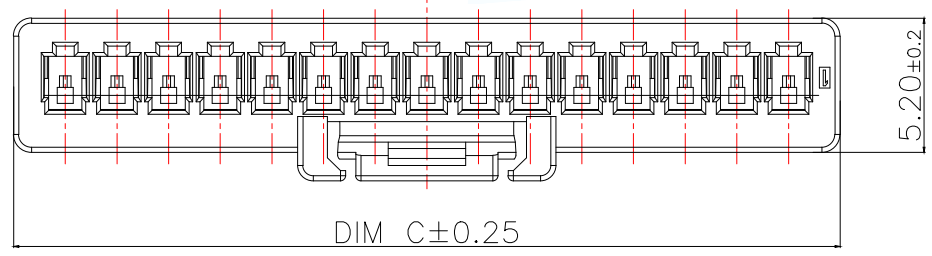
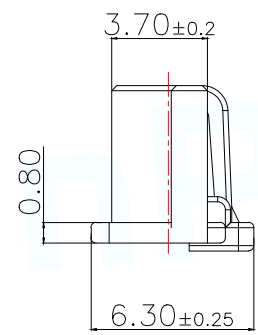
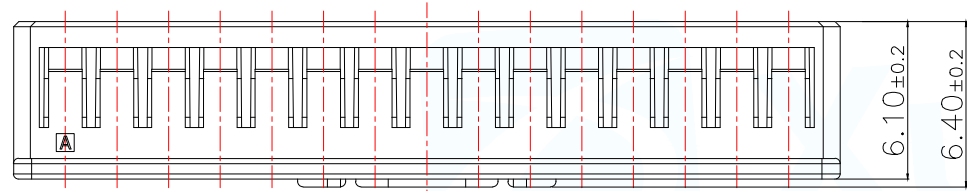
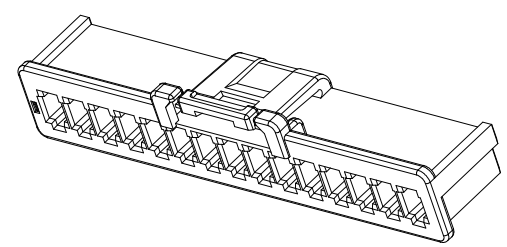
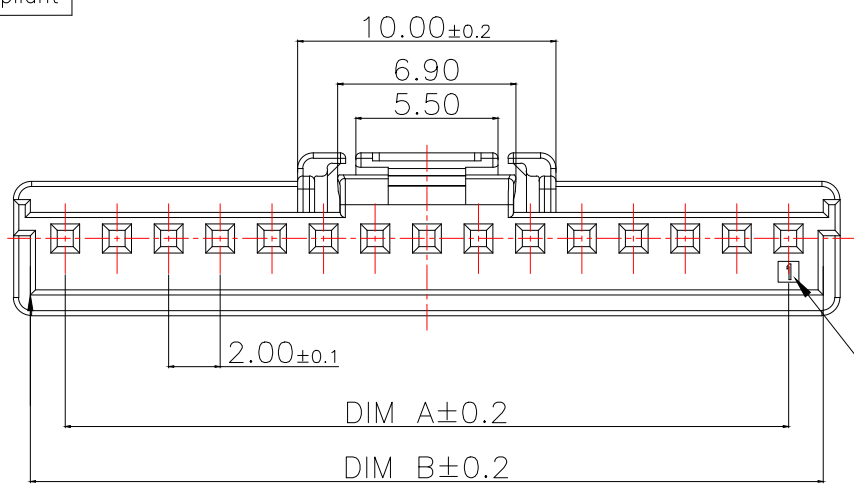
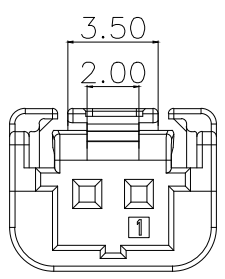


技术指标:

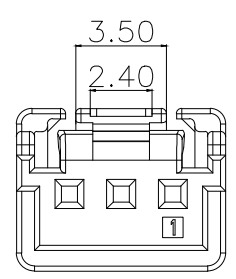
1. 温度范围 Temperatur Range: $-25^{\circ}\text{C} \sim 105^{\circ}\text{C}$.
2. 额定电压 Voltage Rating: 125V AC, DC.
3. 耐压 Dielectric Strength: 500V AC/minute.
4. 接触电阻 Contact Resistance: $\leq 20\text{m}\Omega$
5. 绝缘电阻 Insulation resistance: $\geq 1000\text{M}\Omega$.
6. 额定电流 Current Rating: 3A AC, DC (AWG22#).
7. 适用线径 Applicable wire insulation: AWG22# - 26#



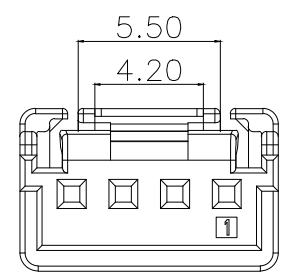
P/N	PIN	DIM A	DIM B	DIM C
WAFER-MX2.0-2PJK-GWW	2	2.00	4.70	8.00
WAFER-MX2.0-3PJK-GWW	3	4.00	6.70	8.10
WAFER-MX2.0-4PJK-GWW	4	6.00	8.70	10.00
WAFER-MX2.0-5PJK-GWW	5	8.00	10.70	12.00
WAFER-MX2.0-6PJK-GWW	6	10.00	12.70	14.00
WAFER-MX2.0-7PJK-GWW	7	12.00	14.70	16.00
WAFER-MX2.0-8PJK-GWW	8	14.00	16.70	18.00
WAFER-MX2.0-9PJK-GWW	9	16.00	18.70	20.00
WAFER-MX2.0-10PJK-GWW	10	18.00	20.70	22.00
WAFER-MX2.0-11PJK-GWW	11	20.00	22.70	24.00
WAFER-MX2.0-12PJK-GWW	12	22.00	24.70	26.00
WAFER-MX2.0-13PJK-GWW	13	24.00	26.70	28.00
WAFER-MX2.0-14PJK-GWW	14	26.00	28.70	30.00
WAFER-MX2.0-15PJK-GWW	15	28.00	30.70	32.00



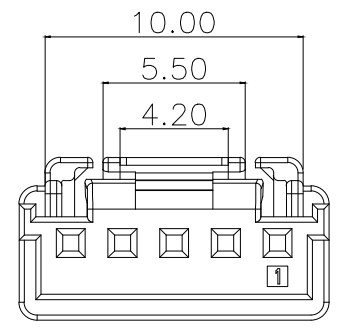
2P



3P



4P

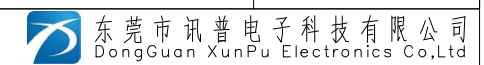


5P-15P

1	MX2.0 B型WTB无锁公头胶壳	PBT/白色
---	-------------------	--------

序号	名称	材质
----	----	----

MANUFACTURE DWG



UNLESS OTHERWISE SPECIFIED TOLERANCES



TITLE: MX2.0 B型WTB无锁公头胶壳

DECIMALS:	ANGLES:
X.±0.50	ANGLES:
.X ±0.20	±1°
.XX ±0.10	
.XXX ±0.05	

PAR	WAFER-MX2.0-NPJK-GWW
DWN	Lucas
CHKD	Ethan
APVD	Jacob
SCALE N:A	UNIT:MM
SIZE:A4	SHEET:1F1
	REV:A