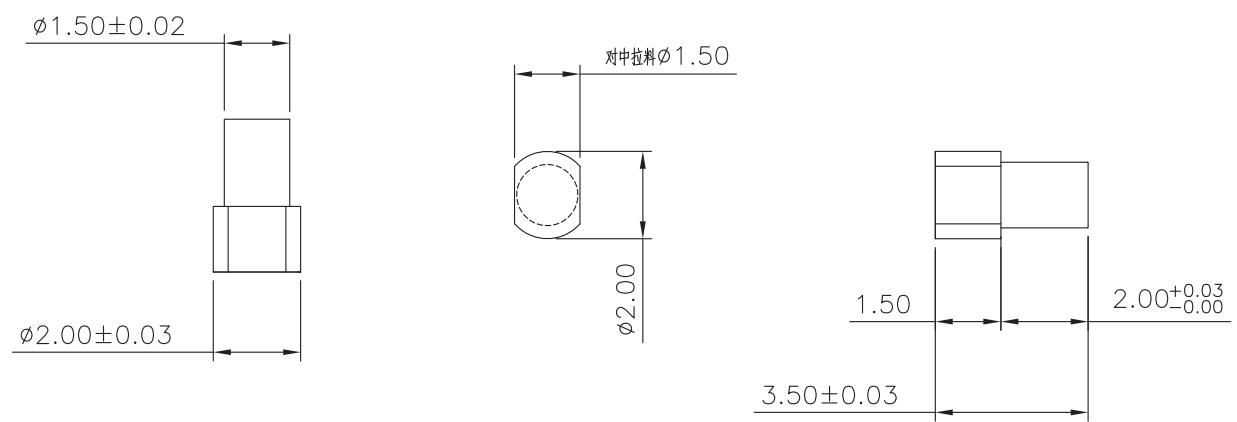


RoHS

NOTE
 1.Material
 Plunger: Brass C3604
 2.RoHS compliant product.



5.0			
4.0			
3.0			
2.0			
1.0			
REV.	DATE	DESCRIPTION	DRAWING

DRAWING: Frank	GENERAL TOLERANCE .X:±0.30 .X':±2° .XX:±0.20 .XX':±1° .XXX:±0.10 .XXX':±0.5°	
CHECKED: yang jie	UNIT: MM	PROJECTION:
APPROVAL:	SCALE: 1/1	
	SHEET: 1/1	

		DESCRIPTION: POGOpin Connector	
		SERIES: PG1000 SERIES	REV: 1.0
PART NO: PG1000-01-011P		SIZE: A4	
CUSTOMER P/N:			