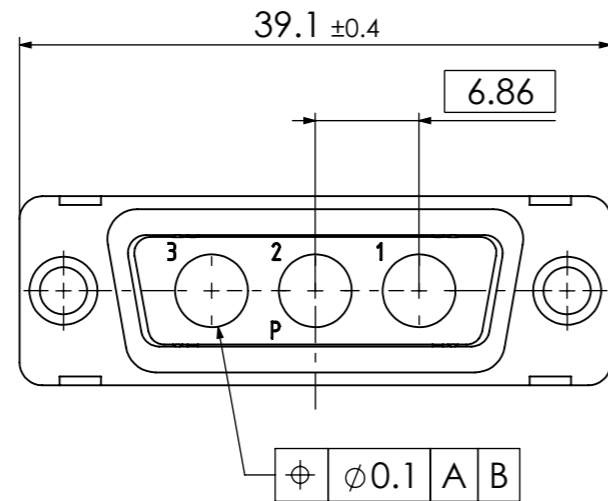
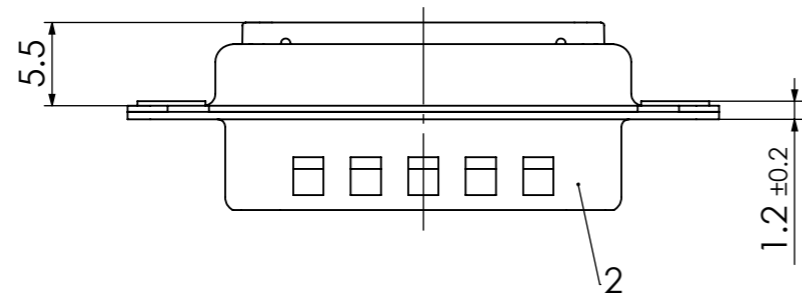
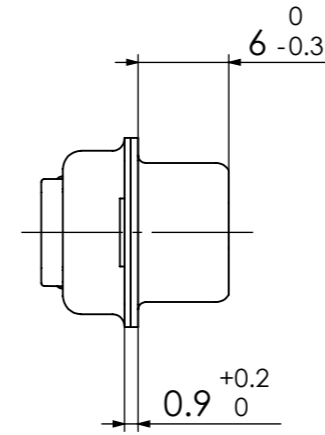
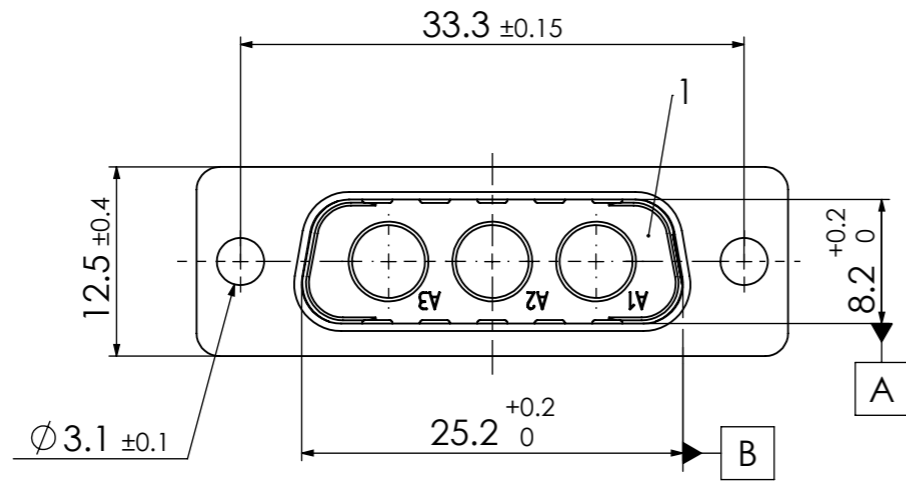


RoHS compliant



Permeability is tested for the whole connector. Permeability less than 1.0025

No.	St.	Part	Type Description/Material	Surface plating/Colour/Class
2	1	Shell	Brass (nonmagnetic)	tin plated
1	1	Insulator	PBT (-55°C to +130°C) acc. UL94V-0	green

FUNCTIONAL SYMBOLS					THIS DRAWING CONTAINS INFORMATION THAT IS PROPRIETARY TO MOLEX ELECTRONIC TECHNOLOGIES, LLC AND SHOULD NOT BE USED WITHOUT WRITTEN PERMISSION				
▽ = 0	▽ = 0	▽ = 0	DIMENSION UNITS	SCALE	MEASUREMENTS WITHOUT TOLERANCE ACC. TO ISO 2768-m			<b>molex</b>	
			mm	2:1					
					CURRENT REVISION			PRODUCT CUSTOMER DRAWING	
					DRWN: DRAWN BY mteubel 19-12-2023			MATERIAL NUMBER	
					APPR: APPR BY msteinbrueck 21-12-2023				
					INITIAL REVISION			REVISION	
					DRWN: DRAWN BY MTeubel 02-05-2012				
					APPR: APPR BY sschref 02-05-2012			1731140235	
					REPLACEMENT FOR: 1731140235_Rev.A1			DOCUMENT NUMBER	
					FIRST ANGLE PROJECTION			CUSTOMER	
					DRAWING A3-SIZE			GENERAL MARKET	
								SHEET NUMBER 1 OF 1	

COMMENT: ALL RIGHTS ARE RESERVED BY US FOR THIS DRAWING. WITHOUT OUR PRIOR CONSENT, IT MAY NEITHER BE DUPLICATED NOR MADE AVAILABLE TO A THIRD PARTY. AND IT ALSO MAY NOT BE IMPROPERLY USED BY THE RECEIVER, OR A THIRD PARTY.