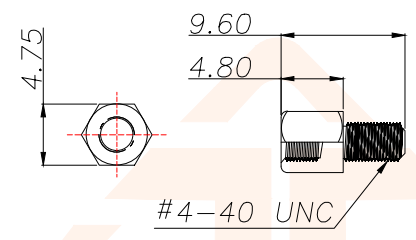
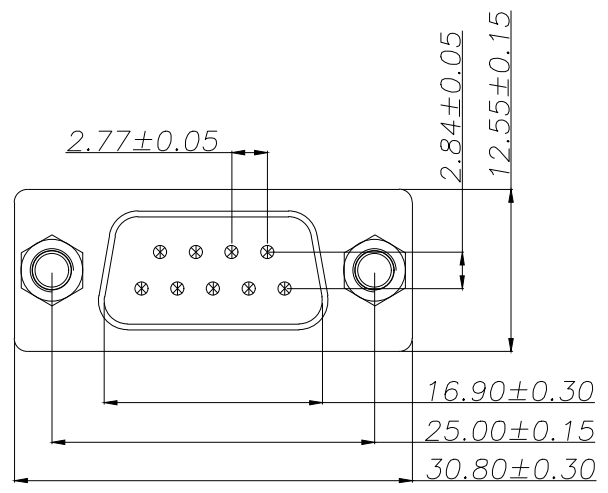




REV.	ECN NO.	DESCRIPTION	DATE	DESIGN



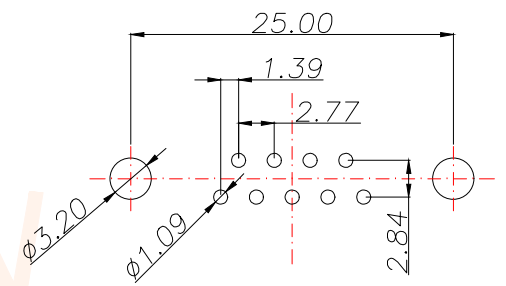
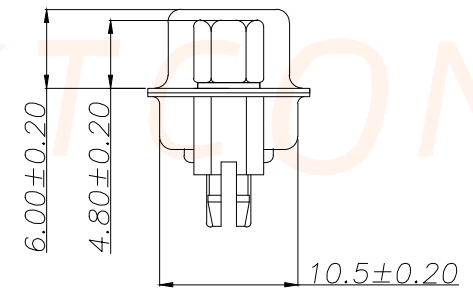
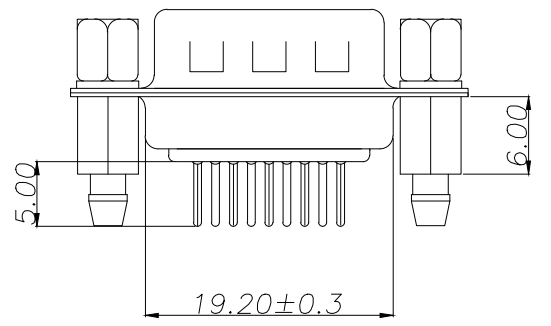
→ MATERIAL:

- 1. Insulator: PBT+30% Glass Fiber
- 2. Contact: Brass
- 3. Contact Plated: Gold Flash over Tin Or Gold Plated Or Tin Plated
- 4. Shell: Steel, Nickel Plated

→ SPECIFICATION:

- 1. Current Rating: 3 AMPS
- 2. Insulation Resistance: 100MΩ MIN. At 500VDC
- 3. Dielectric Strength: 500V for One minute
- 4. Operation Temperature: -55° C ~ +105° C.

* 【胶芯颜色、防火要求、环保要求及电镀规格 依据客户实际订单要求为准】



RECOMMEND PCB LAYOUT (T=1.6)
PCB TOLERANCE: ±0.05

TOLERANCE		深圳聚兴泰电子科技有限公司 Shenzhen Juxingtai Electronic Technology Co., Ltd		
.X±0.30	X.'±5°	PART NO.	TITLE:	
.XX±0.25	X.X'±2°	D-SUB-DMP9PM-F000	DP-9M 铆鱼叉锁 9.6 螺丝	
.XXX±0.05	X.XX'±1°	DESIGN: Ethan	MANUFACTURE DWG	
UNITS	mm	CHED: Olivia	SCALE SHEET N:A 1/1	
MATERILA	---	APPD: Ava		
FINISH	---			