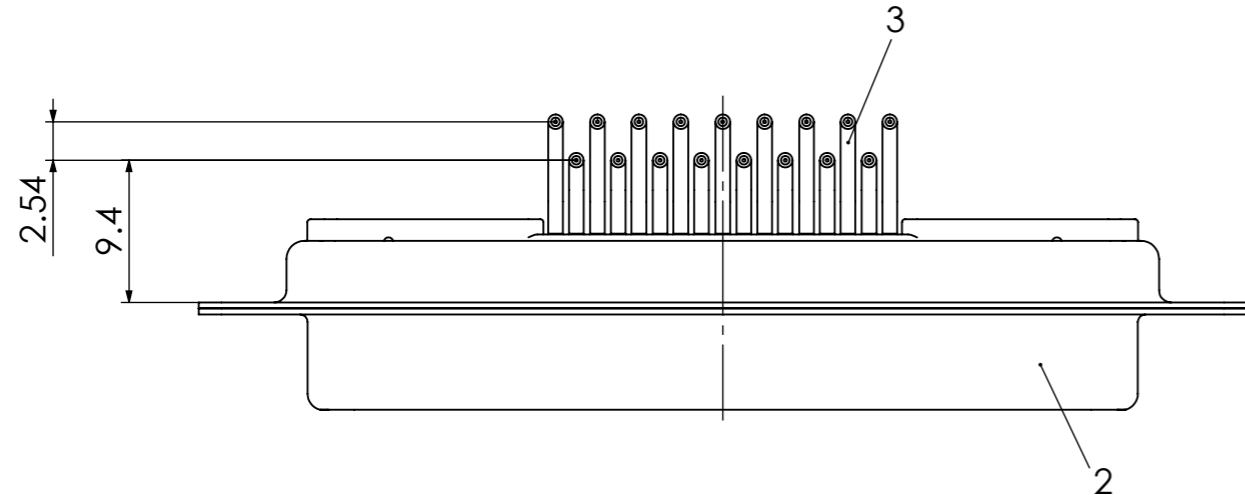
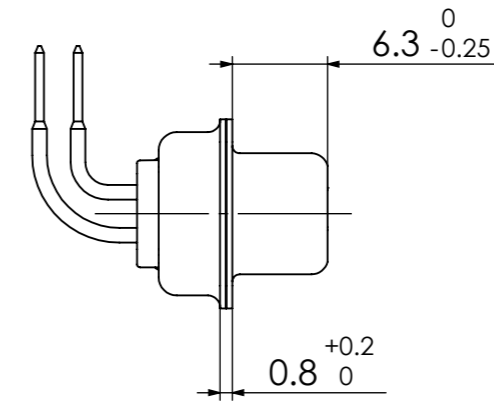
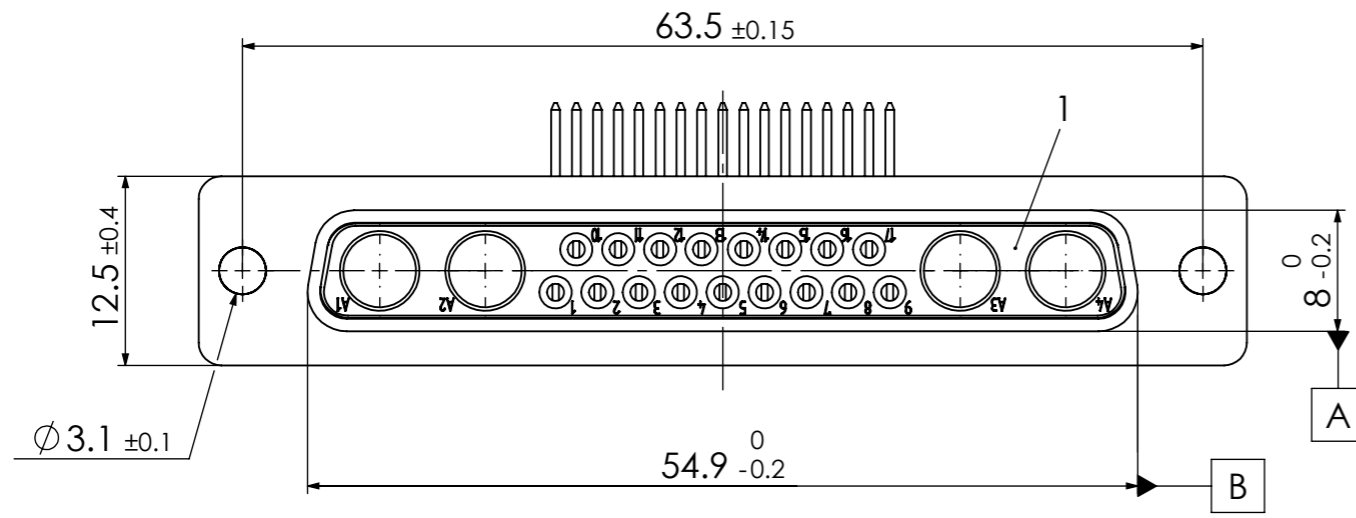
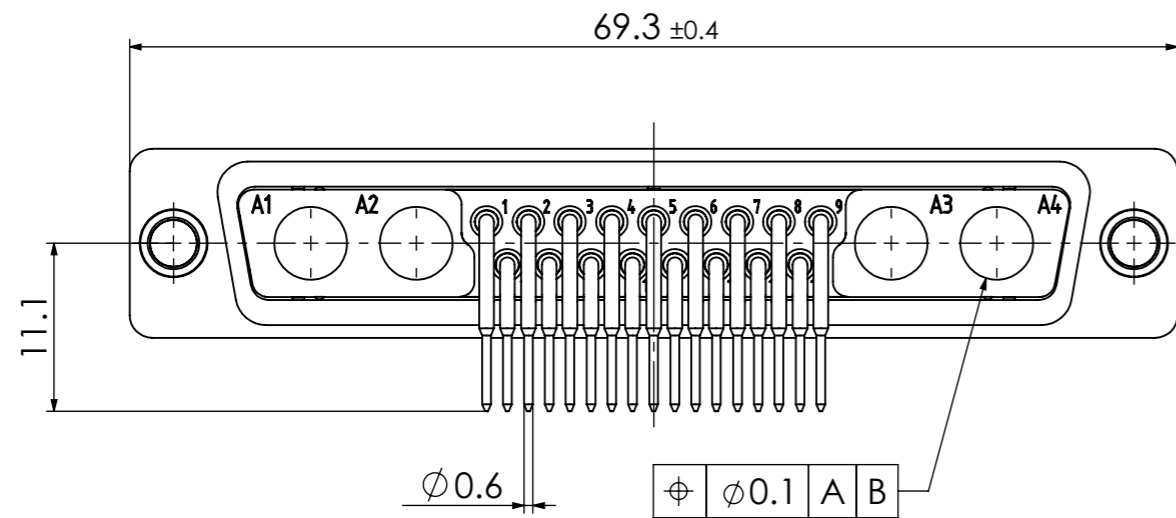
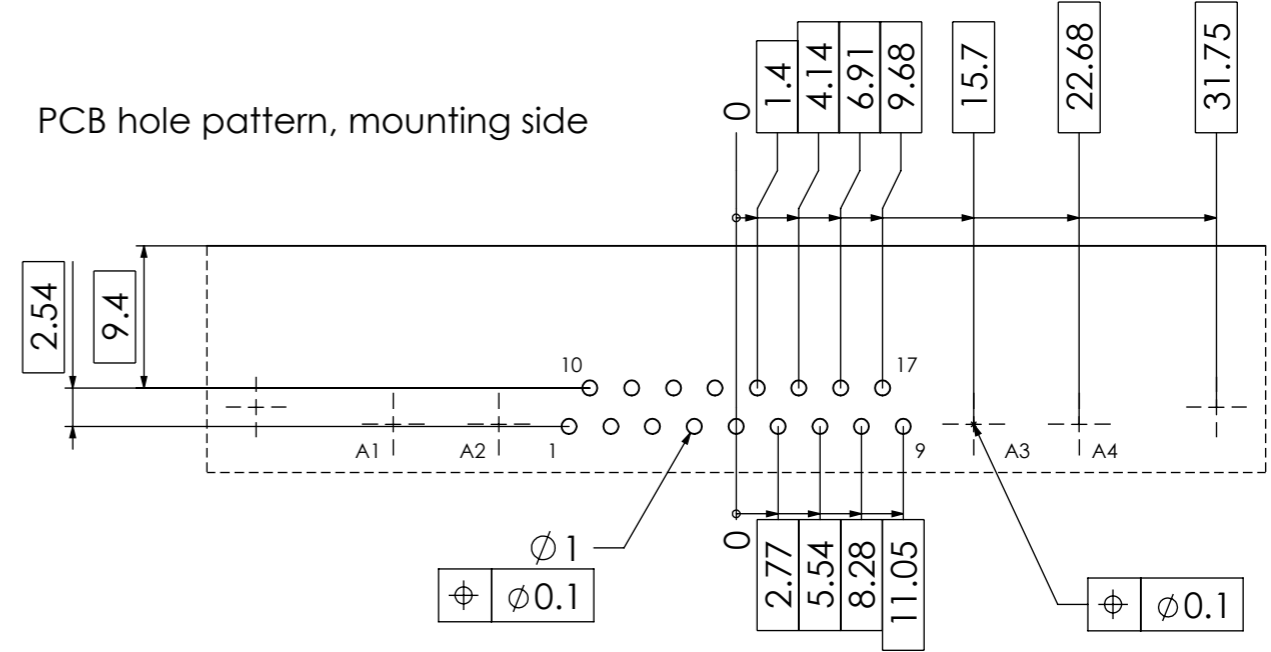


COMMENT: ALL RIGHTS ARE RESERVED BY US FOR THIS DRAWING. WITHOUT OUR PRIOR CONSENT, IT MAY NEITHER BE DUPLICATED NOR MADE AVAILABLE TO A THIRD PARTY. AND IT ALSO MAY NOT BE IMPROPERLY USED BY THE RECEIVER, OR A THIRD PARTY.

RoHS compliant  
by exemption



PCB hole pattern, mounting side



3	17	Signal contact	S5 / Brass	0.8 µm Au
2	1	Shell	Steel	tin plated
1	1	Insulator	PBT (-55°C to +130°C) acc. UL94V-0	green
No.	St.	Part	Type Description/Material	Surface plating/Colour/Class

FUNCTIONAL SYMBOLS					THIS DRAWING CONTAINS INFORMATION THAT IS PROPRIETARY TO MOLEX ELECTRONIC TECHNOLOGIES, LLC AND SHOULD NOT BE USED WITHOUT WRITTEN PERMISSION				
DIMENSION UNITS		SCALE		MEASUREMENTS WITHOUT TOLERANCE ACC. TO ISO 2768-m					
mm		2:1							
CURRENT REVISION					<b>molex</b> FCT D-Sub Mixed-Layout Connector PRODUCT CUSTOMER DRAWING				
DRWN: DRAWN BY		msteinbrueck		01-02-2019					
APPR: APPR BY		MTeubel		04-02-2019					
INITIAL REVISION					MATERIAL NUMBER				
DRWN: DRAWN BY		sschref		24-08-2005		1731070568			REVISION
APPR: APPR BY		ADenzinger		24-08-2005					3
REV.		CH.-NO.				DOCUMENT NUMBER			SHEET NUMBER
						FM21WA4S5-K121			1 OF 1
REPLACEMENT FOR:		FRIST ANGLE PROJECTION		DRAWING		CUSTOMER			
		A3-SIZE				GENERAL MARKET			