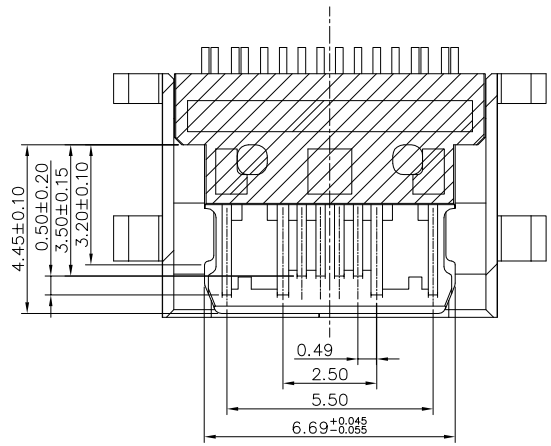
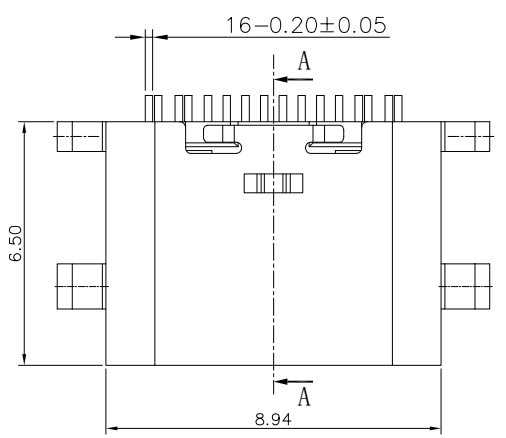
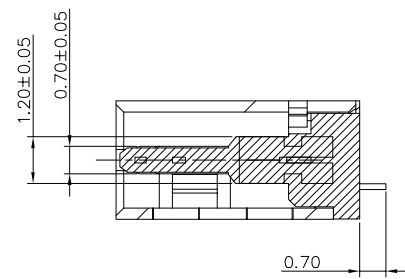
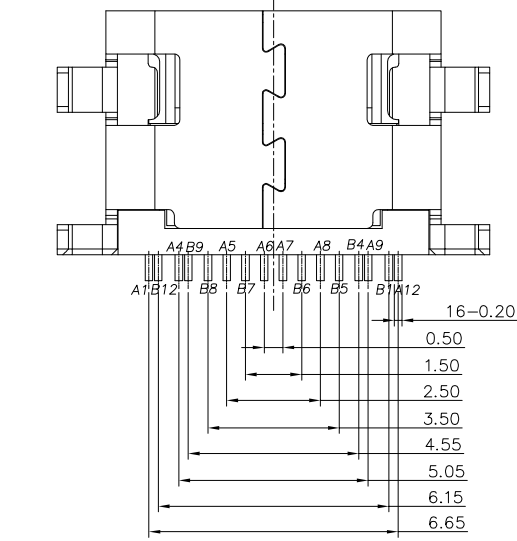
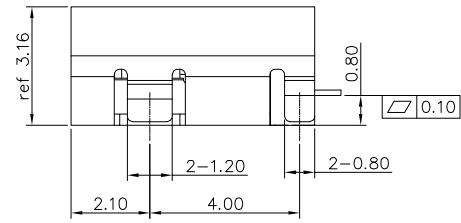
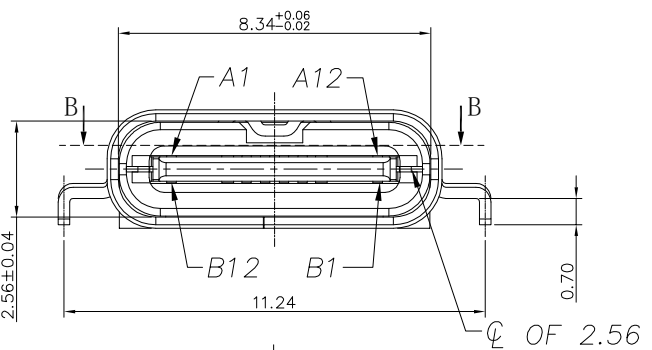


| REV | MARK | 修改摘要 | 签名 | 日期 |
|-----|------|---------|----|------------|
| NO | | NEW DRG | | 2016-03-12 |



SECTION B-B
SCALE 1:1



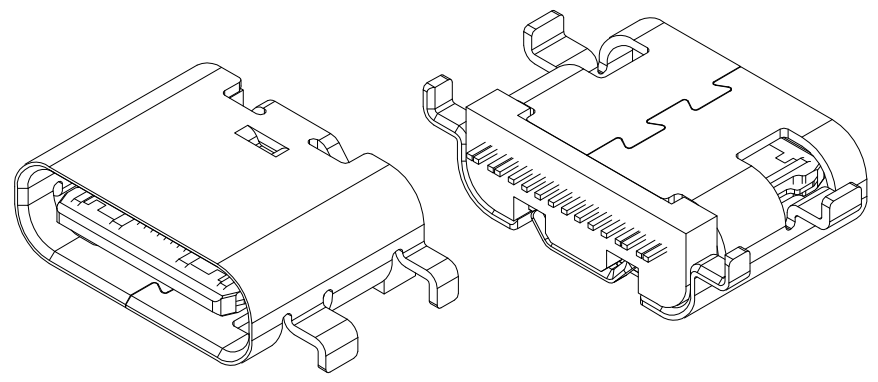
SECTION B-B
SCALE 1:1

NOTE:

- MATERIAL SPECIFICATION:
 - HOUSING: HIGH TEMPERATURE RESISTANT PLASTIC, UL94 V-0.
 - CONTACTS: COPPER ALLOY
 - MID PLATE: STAINLESS STEEL
- PLATING SPECIFICATION:
 - CONTACTS:
 - Ni 50u" MIN. UNDER PLATED OVER ALL.
 - Au PLATED ON THE FUNCTIONAL AREA OF CONTACT. (GOLD PLATING THICKNESS FOLLOW THE P/N)
 - GOLD FLASH PLATING ON SOLDER AREA
 - FRONT SHELL:
 - Ni 30u" MIN. UNDER PLATED OVER ALL.
- MECHANICAL PERFORMANCE,
 - INSERTION FORCE: 0.5~2.0kgf.
 - REMOVAL FORCE: 0.8kgf~2.0kgf.
 - DURABILITY: 10000 CYCLES.
- ELECTRICAL PERFORMANCE,
 - CURRENT RATING: 5A
VOLTAGE RATING: 20V
 - INSULATION RESISTANCE: 100MΩ MIN
 - DIELECTRIC WITHSTAND VOLTAGE, AC 100V FOR 1 MINUTE.
 - LOW CONTACT RESISTANCE: INITIAL 40MΩ
AFTER 50MΩ
- ENVIRONMENTAL PERFORMANCE:
 - OPERATING TEMPERATURE: -30°C~+80°C.
- IR REFLOW:
 - THE PEAK TEMPERATURE ON THE BOARD SHALL BE MAINTAINED FOR 10 SECONDS AT 260°C.

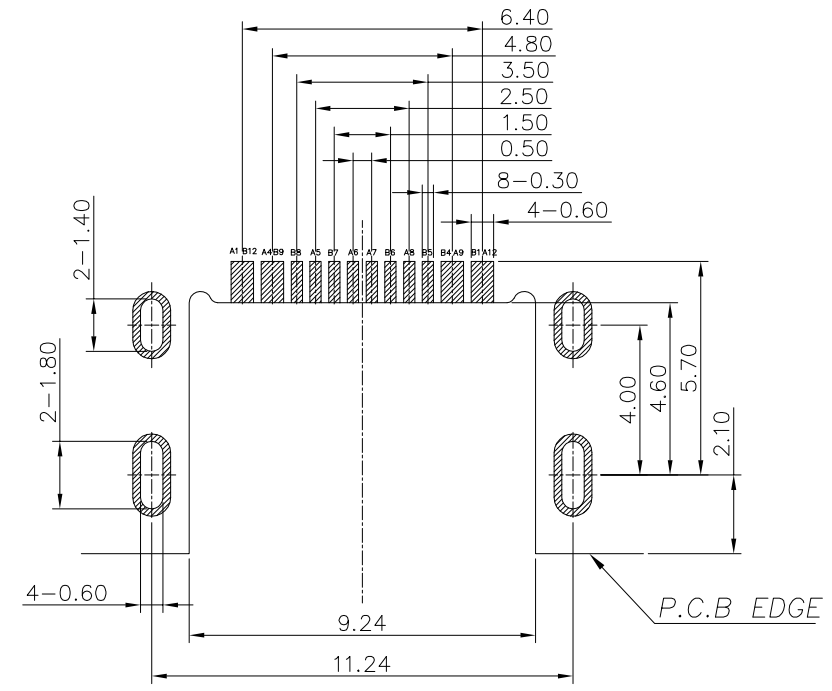
| | | | | | |
|---|------------|---|-----|------------------------------------|-------|
|  | | 深圳市华德共创科技有限公司 Shenzhen Huade co-create Technology Co.,LTD 电话: 0755-27111216 传真: 0755-29940187 | | | |
| | | TITLE: USB 3.1 TYPE C 16PIN 沉板0.8 产品名称: SMT单排母座L=6.5 | | | |
| -TOLERANCES- UNLESS OTHERWISE SPECIFIED 公差参数表 | |   | | PART NO: 产品编号: TYPE C-DB-112PWB | |
| X.X ±0.30 | X.X* ±3° | APPD: 核准: | 王建业 | DATE | SCALE |
| X.XX ±0.20 | X.XX* ±2° | CHECK: 校对: | 黄艳兰 | 2016-03-12 | 1:1 |
| X.XXX ±0.10 | X.XXX* ±1° | DRAW: 绘图: | 黄艳兰 | mm | A001 |

| 修订 REV NO | 标记 MARK | 修改摘要 REVISION DESCRIPTION | 签名 SIGNATURE | 日期 DATE |
|-----------------|------------|------------------------------|-----------------|------------|
| | | NEW DRG | | 2016-03-12 |



USB TYPE-C PIN ASSIGNMENTS

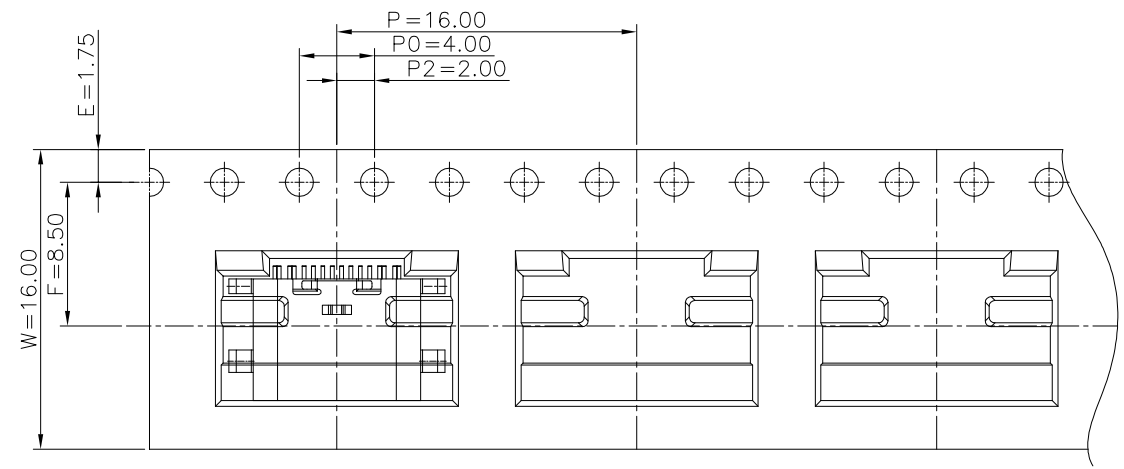
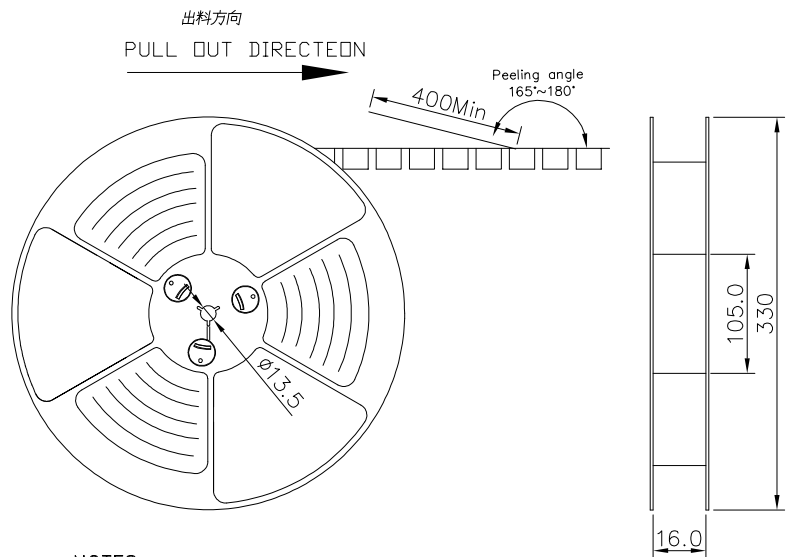
| PIN NUMBER | SIGNAL NAME | PIN NUMBER | SIGNAL NAME |
|------------|-------------|------------|-------------|
| A1 | GND | B12 | GND |
| A4 | VBUS | B9 | VBUS |
| A5 | CC1 | B8 | SBU2 |
| A6 | Dp1 | B7 | Dn2 |
| A7 | Dn1 | B6 | Dp2 |
| A8 | SBU1 | B5 | CC2 |
| A9 | VBUS | B4 | VBUS |
| A12 | GND | B1 | GND |



RECOMMEND P.C.B LAYOUT(COMPONENT SIDE)
TOLERANCE FOR PCB LAYOUT IS ± 0.05

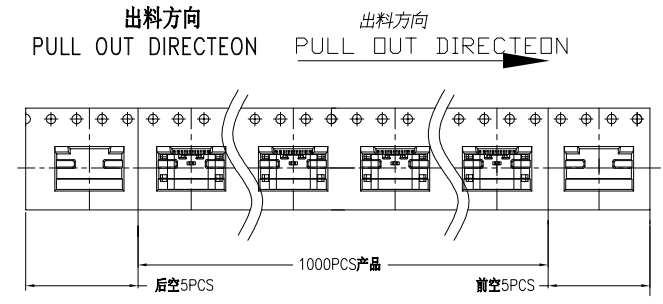
| | | | | | |
|---|------------|---|------------------------------------|---|------|
|  | | 深圳市华德共创科技有限公司 Shenzhen Huade co-create Technology Co.,LTD 电话：0755-27111216 传真：0755-29940187 | | | |
| -TOLERANCES- UNLESS OTHERWISE SPECIFIED 公差参数表 | |   | | TITLE: USB 3.1 TYPE C 16PIN 沉板0.8 产品名称: SMT单排母座L=6.5 | |
| X.X ±0.30 | X.X* ±3° | APPD: 核准: | PART NO: 产品编号: TYPE C-DB-112PWB | | |
| X.XX ±0.20 | X.XX* ±2° | CHECK: 校对: 王建业 | DATE | SCALE | UNIT |
| X.XXX ±0.10 | X.XXX* ±1° | DRAW: 绘图: 黄艳兰 | 2016-03-12 | 1:1 | mm |
| | | | CODE NUMBER | A001 | |

| | | | | |
|-----------------|------------|------------------------------|-----------------|------------|
| 修订 REV NO | 标记 MARK | 修改摘要 REVISION DESCRIPTION | 签名 SIGNATURE | 日期 DATE |
| | | NEW DRG | | 2016-03-12 |



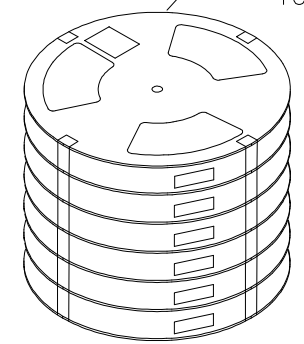
NOTES

1. 帶子引導長度
LEAD TAPE LENGTH
出料方向
PULL OUT DIRECTION

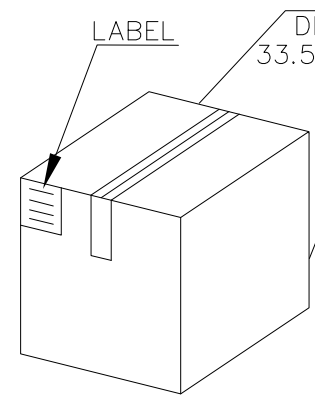


2. 上帶 剝力力為: 0.1~1.3N(10.2gf~130gf)
PEELING OFF FORCE OF TOP TAPE: 0.1~1.3N(10.2gf~130gf)
出貨 運輸過程中一定注意:
THIS REQUIREMENT SHOULD BE APPLIED AT SHIPMENT:
卷帶在運輸過程中不能散開
PEELING OFF SHOULD NOT BE ALLOWED DURING TRANSPORTATION

TAPE & REEL 10 PCS
1 REEL
= 1000 PCS



BOX
DIMENSIONS:
33.5X33.5X30.5



1 CARTON
= 10 REELS
= 10000 PCS

| | | | | | | |
|--|-------------------------|-------------|---------|----------------|----------|----------|
| 包裝明細表 (The detail of the packing) Carton | | | | | | |
| 產品料號 (Product No.) | 包裝容量 (Packing Capacity) | | | 重量 Weight (Kg) | | |
| | pcs/box | boxs/Carton | Pcs/Box | N.W./Pcs | N.W./Box | G.W./Box |
| UCR06-2162X-00XR | 1000 | 10 | 10000 | --- | --- | --- |

HDGC

深圳市华德共创科技有限公司
Shenzhen Huade co-create Technology Co., LTD
电话: 0755-27111216 传真: 0755-29940187

| | | | | | | |
|---|-------|--------|---|-------------------|------------------------------------|------------------------|
| -TOLERANCES- UNLESS OTHERWISE SPECIFIED 公差参数表 | | | TITLE: USB 3.1 TYPE C 16PIN 沉板0.8 产品名称: SMT单排母座L=6.5 | | | |
| X.X | ±0.30 | X.X* | ±3° | APPD: 核准: | PART NO: 产品编号: TYPE C-DB-112PWB | |
| X.XX | ±0.20 | X.XX* | ±2° | CHECK: 校对: 王建业 | DATE | SCALE UNIT CODE NUMBER |
| X.XXX | ±0.10 | X.XXX* | ±1° | DRAW: 绘图: 黄艳兰 | 2016-03-12 | 1:1 mm A001 |