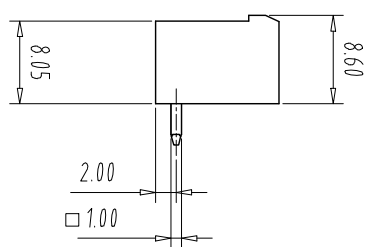
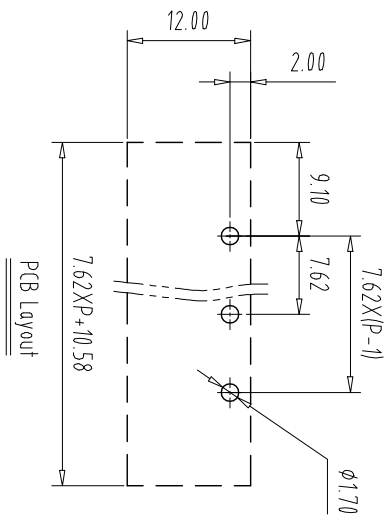
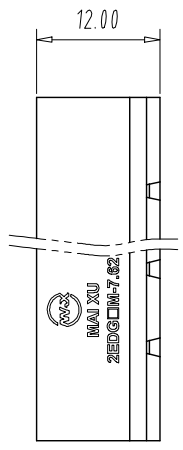
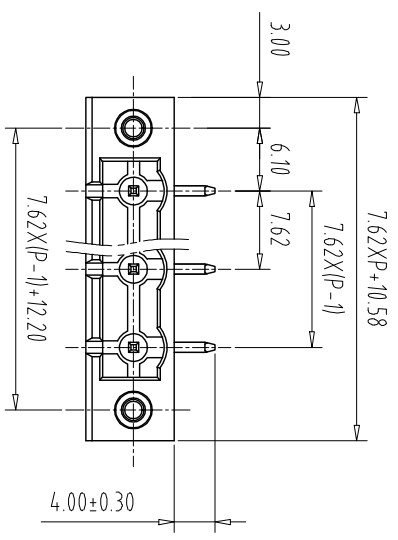


注: 本板为禁止运输、复制、编辑文件, 以及用其内容进行交流



REV	ECN NO.	CONTENT	CHK	DATE

NOTES1:
UL Standard

1 Use group	B	C	D
Rated Current	15A	/	10A
Rated Voltage	300V	/	300V

2 with standing voltage: AC1600V/1Min
IEC Standard

1 Pollution Degree	3	2	2
Overvoltage Category	III	II	II
Rate Impulse Voltage(KV)	/	4.0KV	/
Rate Voltage(V)	/	400V	/
Rate Current(A)	/	15A	/

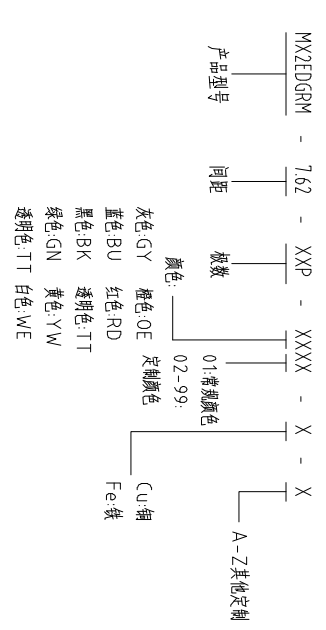
NOTES2:

- 1.Housing: PA66 (UL94V-0)
- 2.Solder Pin: Brass (Sn Plated)
- 3.Nut: Brass (M2.5)

NOTES3:

- 1.Pitch: 7.62mm Poles: 02-24P
- 2.Operating temperature: -40°C~+105°C
- 3.RoHS Compliance

How to order



Pitch Range In Nominal Dimension Range

mm	In mm	Over 6 TO	Over 10 TO	Over 24 TO	Over 30 TO	Over 60 TO	Over 100 TO	Over 150 TO	Over 150 TO
±0.15	±0.20	±0.30	±0.30	±0.50	±0.50	±0.70	±1.00	±1.30	±2°

ITEM	NAME OF PART	NO. OF PART	Q-TY	MATERIAL	NOTE
DWG	CHK	DATE	UNITS	MM	1/1
APP	DATE	SCALE	A4		

CIXI MAIXU ELECTRONICS CO.,LTD
 慈溪市迈旭电子有限公司
 MX2EDGRM-7.62-XXP
 DWGNO.