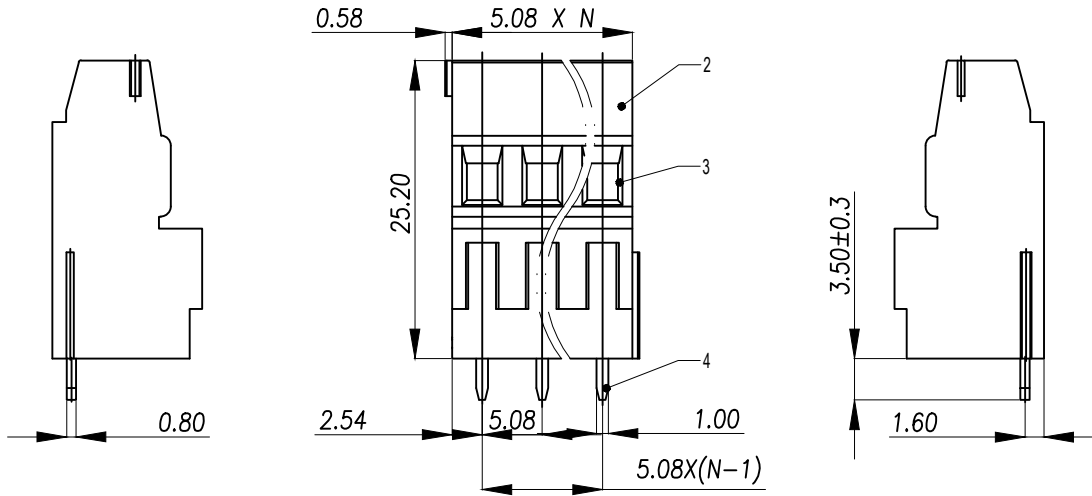
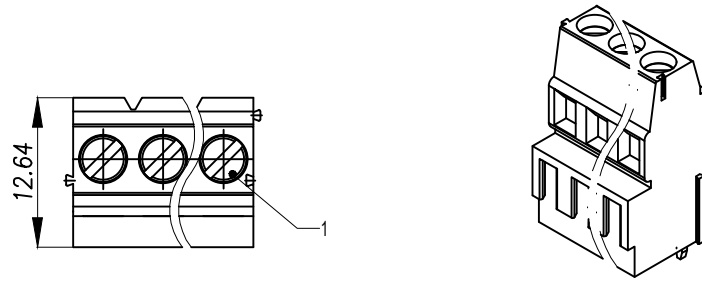
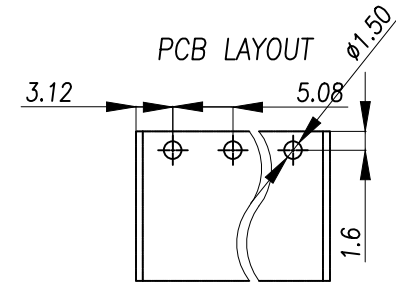


General tolerances(mm)														0.1/10
0 ~ 3	>3 ~ 6	>6 ~ 10	>10 ~ 18	>18 ~ 30	>30 ~ 50	>50 ~ 80	>80 ~ 120	>120 ~ 180	>180 ~ 250	>250 ~ 315	>315 ~ 400	>400 ~ 500	>500	
±0.12	±0.18	±0.22	±0.26	±0.31	±0.37	±0.57	±0.80	±0.93	±1.05	±1.15	±1.60	±2.20	±2.50	±2'

Please refer to the 3D model for those unmarked dimensions



UL Standard	B	C	D
Rated Voltage(V)/Current(A)	300/20	/	300/10
IEC Standard			
Overvoltage Category/Pollution Degree	III/3	III/2	II/2
Rated Voltage(V)/Current(A)	/	250/24	/
Withstanding Voltage(V/1min)	/	AC2000	/
Torque Tightening(N·m/Lb.in)	M3, 0.5/4.5		
Wire Range(rigid and flexible)(mm ² /AWG)	28~12/1.0~2.5		
Pitch(mm)/Poles	5.08/N=02~24P		
Stripping length(mm)	6-7		
Operating temperature(°C)	-40~+105		
Conform to RoHS	Yes		



4	Pin header	Copper alloy	Sn Plated
3	Cage	Copper Alloy	M3/Ni Plated
2	Housing	PA66	UL94V-0
1	Screw	Steel	M3/Zn Plated
ITEM	NAME OF PART	MATERIAL	NOTES

制图 DRAWN	变更内容 DESCRIPTION	日期 DATE	GENERAL TOLERANCE	制图 DRAWING	Yu	料号 PART NO.	BX-DG28V-5.08-NP	版次 REV.	A
				审核 CHECK	HUANG	品名 TITLE	DG500H-5.08	页次 SHEET	1/1
				核准 APPROVAL	RUAN	客户料号 CUTM.NO.		Bossie (博锡)	
				单位 UNITS	MM	比例 SCALE	1:1		