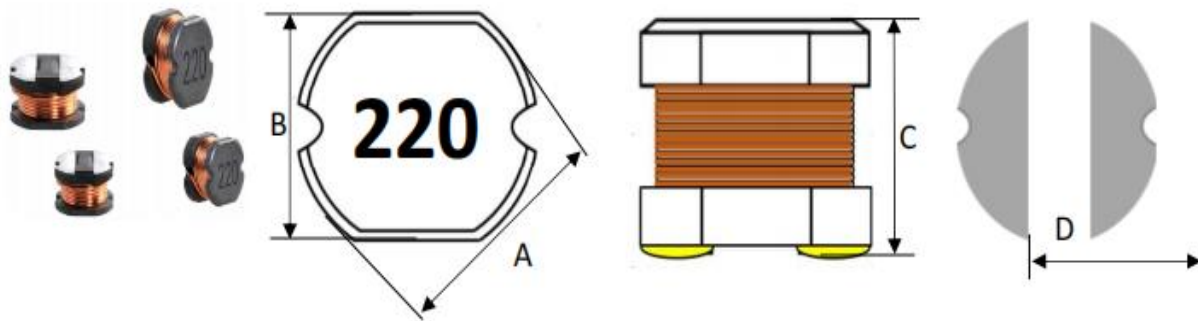


● SPECIFICATION TABLE:

| 产品型号 | 电感值 | 测试频率 | 直流电阻 | 直流电流 |
|-----------|---------|--------------|-------|------|
| 单位 | uH | HZ | Ω max | Amax |
| CD75-1R0M | 1.0±20% | 100KHZ/0.25V | 0.01 | 7.50 |
| CD75-1R5M | 1.5±20% | 100KHZ/0.25V | 0.02 | 7.00 |
| CD75-2R2M | 2.2±20% | 100KHZ/0.25V | 0.03 | 6.00 |
| CD75-3R3M | 3.3±20% | 100KHZ/0.25V | 0.05 | 5.50 |
| CD75-4R7M | 4.7±20% | 100KHZ/0.25V | 0.06 | 5.00 |
| CD75-6R8M | 6.8±20% | 100KHZ/0.25V | 0.07 | 4.50 |
| CD75-100M | 10±20% | 100KHZ/0.25V | 0.07 | 4.00 |
| CD75-120M | 12±20% | 100KHZ/0.25V | 0.08 | 3.80 |
| CD75-150M | 15±20% | 100KHZ/0.25V | 0.09 | 3.00 |
| CD75-180M | 18±20% | 100KHZ/0.25V | 0.10 | 2.50 |
| CD75-220M | 22±20% | 100KHZ/0.25V | 0.11 | 2.00 |
| CD75-270M | 27±20% | 100KHZ/0.25V | 0.12 | 1.30 |
| CD75-330M | 33±20% | 100KHZ/0.25V | 0.13 | 1.20 |
| CD75-390M | 39±20% | 100KHZ/0.25V | 0.16 | 1.10 |
| CD75-470M | 47±20% | 100KHZ/0.25V | 0.18 | 1.00 |
| CD75-560M | 56±20% | 100KHZ/0.25V | 0.24 | 0.94 |
| CD75-680M | 68±20% | 100KHZ/0.25V | 0.28 | 0.85 |
| CD75-820M | 82±20% | 100KHZ/0.25V | 0.37 | 0.78 |
| CD75-101M | 100±20% | 100KHZ/0.25V | 0.43 | 0.72 |
| CD75-121M | 120±20% | 100KHZ/0.25V | 0.47 | 0.66 |
| CD75-151M | 150±20% | 100KHZ/0.25V | 0.64 | 0.58 |
| CD75-181M | 180±20% | 100KHZ/0.25V | 0.71 | 0.51 |
| CD75-221M | 220±20% | 100KHZ/0.25V | 0.96 | 0.49 |
| CD75-271M | 270±20% | 100KHZ/0.25V | 1.11 | 0.42 |
| CD75-331M | 330±20% | 100KHZ/0.25V | 1.26 | 0.40 |
| CD75-391M | 390±20% | 100KHZ/0.25V | 1.77 | 0.36 |
| CD75-471M | 470±20% | 100KHZ/0.25V | 1.96 | 0.34 |

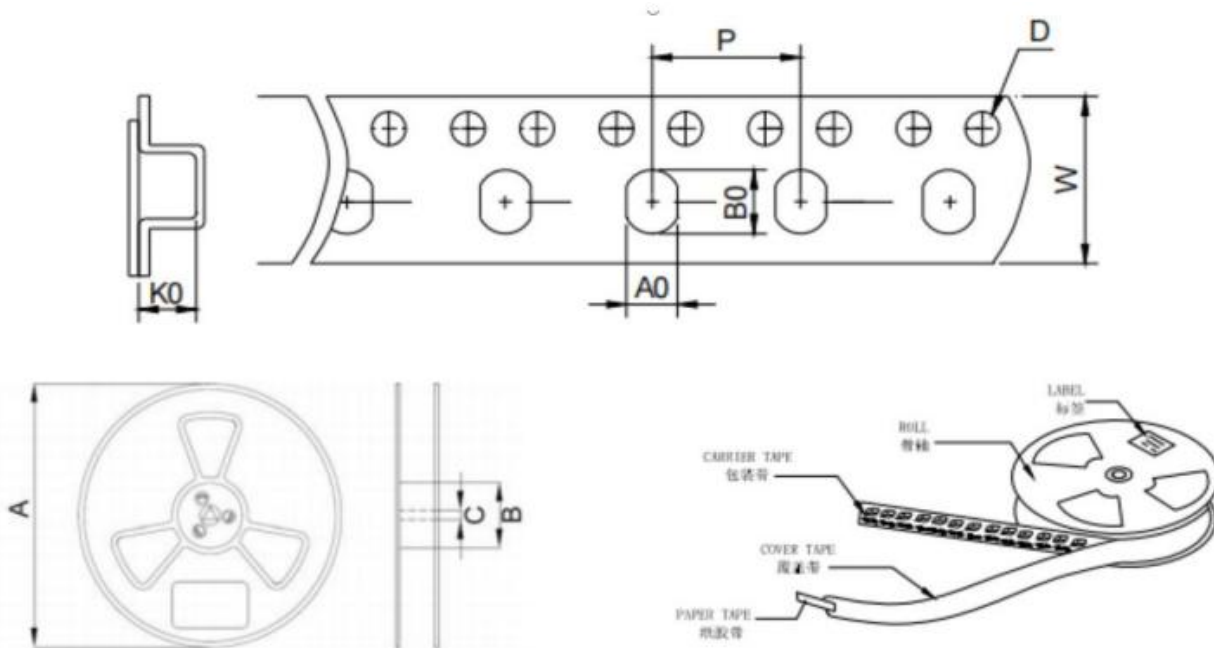
Remark: 1. Inductance Tested at 1MHz, 0.25Vrms (20°C)
 2. Isat: DC current at which the inductance drops approximate 30% from its value without current;
 3. Irms: DC current that causes the temperature rise ($\Delta T = 40^\circ C$) from 25° C ambient.
 4. Operating Temperature : -25°C ~ +125°C

● SHAPES AND DIMENSIONS 外形尺寸 (Unit:mm)



| SERIES | A | B | C | D(ref) |
|--------|---------------|---------------|---------------|--------|
| CD75 | 7.8 ± 0.3 | 7.0 ± 0.3 | 5.0 ± 0.3 | 2.4 |

● SPECIFICATION TABLE:



| Type | Reel Dimension | | | | |
|----------------|----------------|-----|-----|-----|------|
| | A | B | C | | |
| CD75 | 330 | 100 | 13 | | |
| Tape Dimension | | | | | |
| W | A0 | B0 | K0 | D | P |
| 16.0 | 7.6 | 8.6 | 5.6 | 1.5 | 12.0 |