

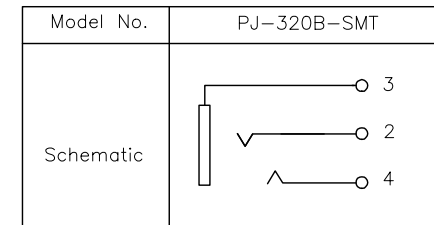
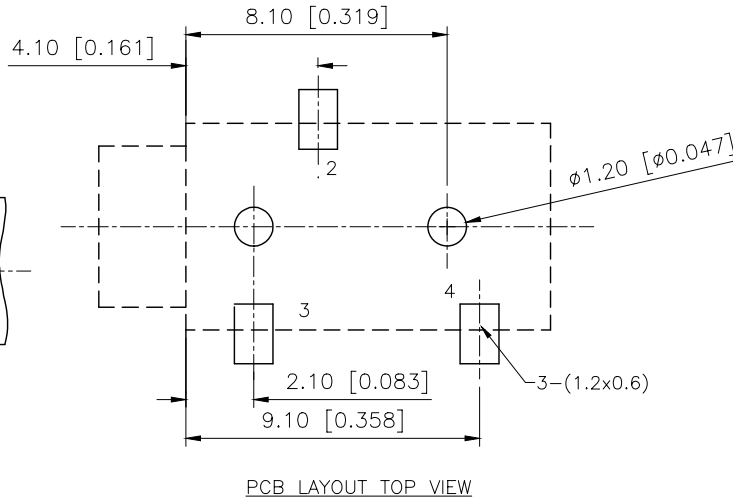
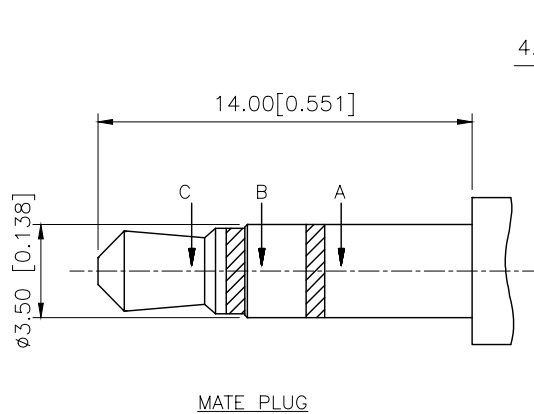
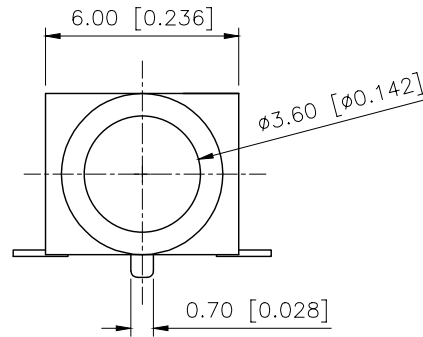
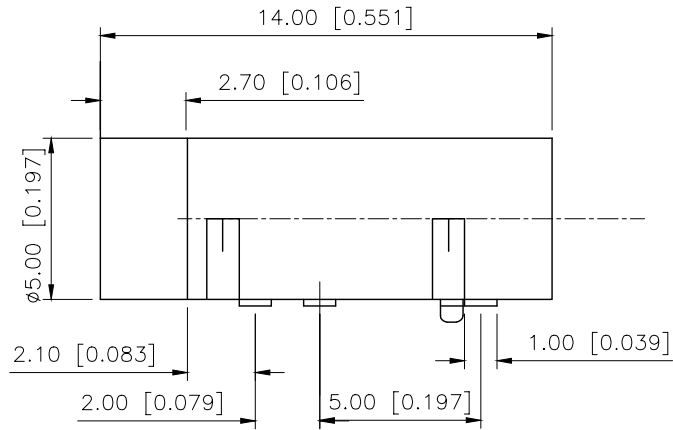
1

2

3

4

REVISIONS					
REV.	ECN NO.	LOCATION	DESCRIPTION	DATE	DESIGN
A0	N/A		INITIAL RELEASE	/	/
A1	N/A		图面升级整理图面	2025.06.26	阿树



Plastic	PA9T	
Terminal	brass	
Terminal	brass	silver
Terminal	copper alloy	silver
Terminal	copper alloy	silver
Terminal	copper alloy	silver
Terminal	copper alloy	silver
PAPT NAMF	MATERIAL	PLATING

AuGLAR	±5°
X.	±0.40
X.x	±0.30
X.xx	±0.20
X.xxx	±0.15
UNSPECIFIED TOLERANCES	



DESIGN 阿树  
 CHECKED  
 APPROVED

VIEW:   
 UNIT: mm/in  
 SIZE: A4

MODEL TYPE:  
3.5 PHONE JACK  
 PART NO.:  
PJ-320B-SMT  
 DWG NO.:  
X-PJ-320B-SMT

1

2

3

4