

AI 2,5 -12 BU -1000 - Ferrule

1200309

<https://www.phoenixcontact.com/pc/products/1200309>

Please be informed that the data shown in this PDF document is generated from our online catalog. Please find the complete data in the user documentation. Our general terms of use for downloads are valid.

Ferrule, sleeve length: 12 mm, color: blue



Your advantages

- The ferrules with plastic sleeve are made from soft tin-plated electrolytic copper
- The insulation reliability of close connections is increased and the splicing of wires is prevented

Commercial data

Item number	1200309
Packing unit	1,000 pc
Minimum order quantity	1,000 pc
Sales key	05
Product key	BH3411
GTIN	4055626456393
Weight per piece (including packing)	0.187 g
Weight per piece (excluding packing)	0.184 g
Customs tariff number	85369010
Country of origin	DE

AI 2,5 -12 BU -1000 - Ferrule

1200309

<https://www.phoenixcontact.com/pc/products/1200309>

Technical data

Product properties

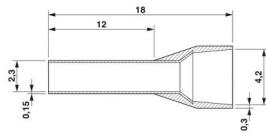
Product type	Cable end sleeve
Conductor category	stranded conductors, class 2, 5, 6 / B, C, K, M

Connection data

Conductor connection

Conductor cross section flexible max.	2.5 mm ²
Stripping length	15 mm

Dimensions

Dimensional drawing	
Sleeve length	12 mm
Maximum stripping length	15 mm
Ferrule diameter	2.3 mm
Sleeve wall thickness	0.15 mm
Insulating collar thickness	0.3 mm
Inner dimensions of the insulating collar	4.2 mm

Material specifications

Color	blue
Material	CU-DHP
Flammability rating according to UL 94	HB
Coating	tin-plated (galvanic)
Components	free from silicone and halogen

Mechanical properties

Technical data

Sleeve length	12 mm
---------------	-------

Environmental and real-life conditions

Ambient conditions

Permanent temperature	105 °C (-40 °C no load / 0 °C dynamic load)
Short-term temperature	120 °C

Standards and regulations

Design according to standard	DIN 46228-4, UL 486F-E
------------------------------	------------------------

AI 2,5 -12 BU -1000 - Ferrule

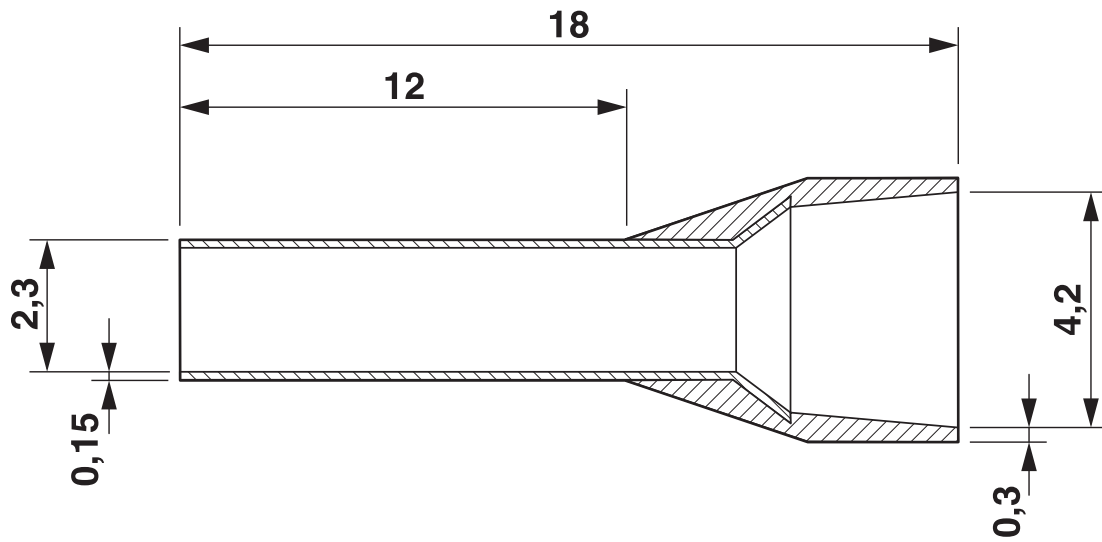
1200309

<https://www.phoenixcontact.com/pc/products/1200309>



Drawings

Dimensional drawing



AI 2,5 -12 BU -1000 - Ferrule



1200309

<https://www.phoenixcontact.com/pc/products/1200309>

Approvals

To download certificates, visit the product detail page: <https://www.phoenixcontact.com/pc/products/1200309>



UL Listed

Approval ID: E488001



cUL Listed

Approval ID: E488001



cULus Listed

Approval ID: E488001

cULus Listed

AI 2,5 -12 BU -1000 - Ferrule



1200309

<https://www.phoenixcontact.com/pc/products/1200309>

Classifications

ECLASS

ECLASS-11.0	27400201
ECLASS-13.0	27400201
ECLASS-12.0	27400201

ETIM

ETIM 9.0	EC000005
----------	----------

UNSPSC

UNSPSC 21.0	27121700
-------------	----------

AI 2,5 -12 BU -1000 - Ferrule



1200309

<https://www.phoenixcontact.com/pc/products/1200309>

Environmental product compliance

China RoHS	Environmentally friendly use period: unlimited = EFUP-e
	No hazardous substances above threshold values

Phoenix Contact 2024 © - all rights reserved
<https://www.phoenixcontact.com>

PHOENIX CONTACT GmbH & Co. KG
Flachmarktstraße 8
D-32825 Blomberg
+49 (0) 5235-3 00
info@phoenixcontact.com