

NOTES

MATERIAL

- 1.HOUSING MATERIAL: THERMO PLASTICS UL94V-0.
- 2.CONTACT MATERIAL: PHOSPHOR BRONZE T=0.3.
- 3.PLATING: GOLD PLATING ON CONTACT  
AREA TIN PLATED ON SOLDER AREA,  
NICKEL PLATD OVER ALL.
- 4.SHIELD: BRASS T=0.20mm  
WITH NICKEL PLATED.

ELECTRICAL

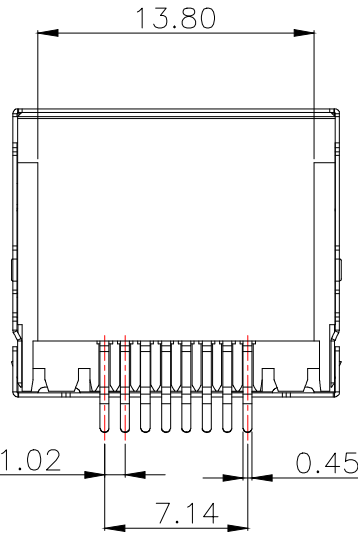
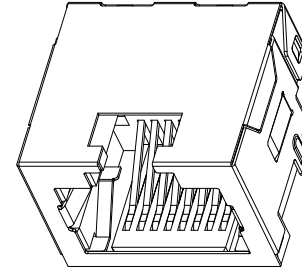
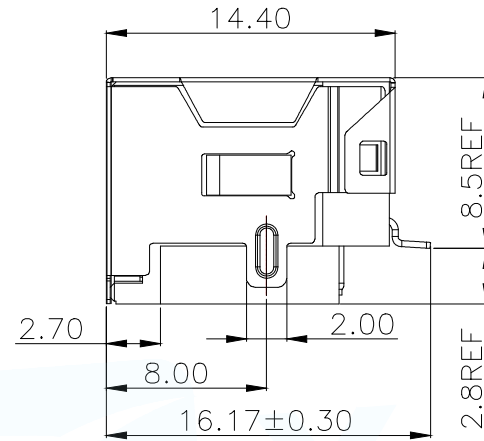
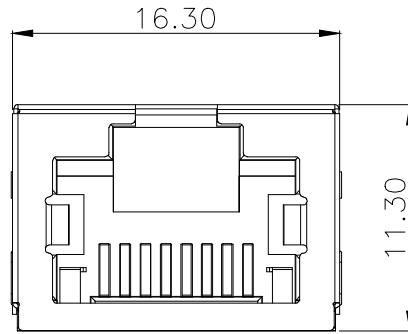
- 1.VOLTAGE RATING: 125 VAC RMS.
- 2.CURRENT RATING: 1.5 AMP.
- 3.CONTACT RESISTANCE: 40 MILLIOHMS MAX.
- 4.INSULATION RESISTANCE: 500 MEGOHMS MIN @ 100V DC .
- 5.DIELECTRIC DIELECTRIC  
RESISTANCE: 500V DC RMS 50Hz. 1MIN.

MECHANICAL

- 1.DURRABILITY: 750 CYCLES MIN.
2. MATING/UNMATING FORC: 2.24 KG.F MAX.

ENVIRONMENTAL:

- 1.OPERATION: -40~+85v.
- 2.STORAGE: -40~+85v.



PART NUMBER DESCRIPTION:

RJ45-001-017-XX

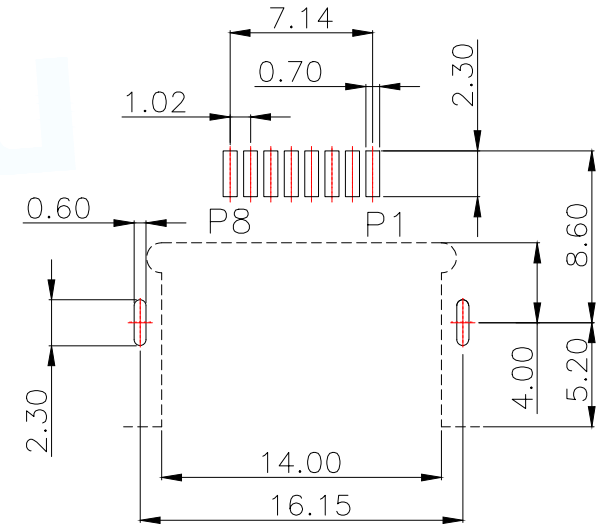
电镀码

1-GOLD FLASH

流水码

1:LCP黑 盘装

2:LCP黑 卷装



PCB LAYOUT  
TOL:±0.05

MANUFACTURE DWG		 东莞市讯普电子科技有限公司 DongGuan XunPu Electronics Co.,Ltd	
UNLESS OTHERWISE SPECIFIED TOLERANCES		TITLE: RJ45 讯版2.8 SMT 有壳 无灯	
		PAR	RJ45-001-017-11
DECIMALS:		DWN	
ANGLES:		CHKD	
.X:±0.35	X':±3'	APVD	
.XX:±0.25	.X':±2'	SCALE 1:1	UNIT:MM
.XXX:±0.15	.XX':±1'	SIZE:A4	SHEET:1F1
CUSTOMER COPY			REV:A

