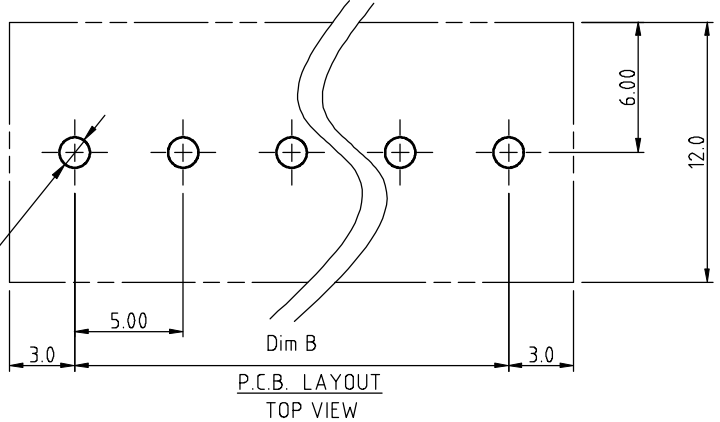
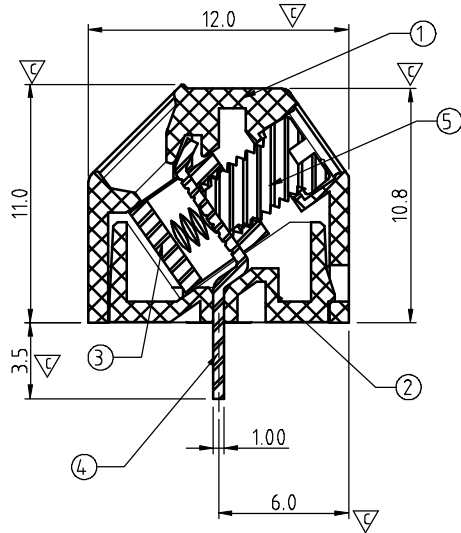
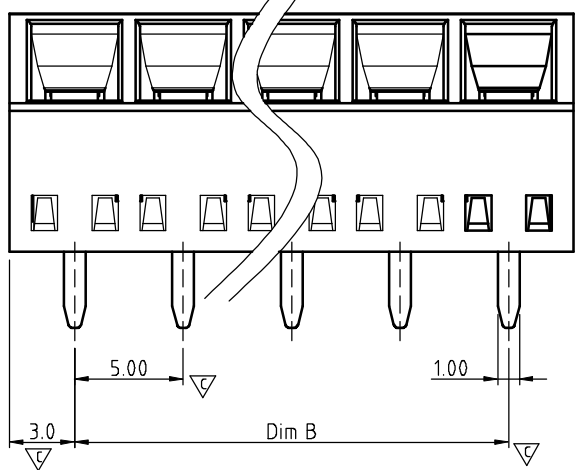


DIMENSION

Dim A	NX5.0+1.00
Dim B	(N-1)X5.0

N=Number of poles

Poles	Tolerance
2p-6p	±0.10
7p-12p	±0.20
13p-18p	±0.30
19p-24p	±0.40



SIGN	DATE	DESCRIPTION	APPROVER
△	07/03'13	update the drawing	Guoxue
△			

THIS IS CAD DRAWING, DO NOT REVISE MANUALLY!!!

Material:

- Item 1 Terminal housing: Thermoplastic (UL 94V-0)
- Item 2 Terminal housing (Cover): Thermoplastic (UL 94V-0)
- Item 3 Clamp: Brass ,Ni plated
- Item 4 Wire guard solder pin: Brass ,Tin plated
- Item 5 Terminal screw: Steel Zinc plating"- "slot type

Electrical cULus

- Voltage rating: 300VAC
- Current rating: 10A
- Wire range:
- Solid wire(AWG): 14-26
- Stranded wire(AWG): 16-26
- Torque(Lb-In): 3.5
- Screw: M3.0
- Wire strip length: 5-6mm
- Withstanding Voltage: 1.6KV
- Operating temperature: -40°C to +115°C
- Soldering temperature: 260°C±5°C/5 Sec
- △ ● Safety Approval: cULus
- Critical dimension: ▽

TV xx 51 x 0 xxxx G

			RoHS compliant (lead<4%) In copper Alloy
No. of poles	0 Black (RAL9005)	0000:"@ "Logo (Standard)	
02 2 POLES	2 Red (RAL3001/D)	000A:"ANYTEK"Logo	
03 3 POLES	3 Orange(RAL2011/P)	Any special item by	
...	4 Yellow(RAL1018/A)	customer request,	
24 24 POLES	5 Green(RAL6018/T)	please contact sales	
	6 Blue (RAL5015/A)	department.	
	8 Grey(RAL7035/D)		
	9 White(RAL1102)		
	C Green(RAL6018/U)		

ANYTEK		CUSTOMER COPY	
ALL RIGHTS RESERVED. REPRODUCTION OR ISSUE TO THIRD PARTIES IN ANY FORM WHATSOEVER IS NOT PERMITTED WITHOUT WRITTEN AUTHORITY FROM THE PROPRIETOR. PROPERTY OF ANYTEK TECHNOLOGY CO., LTD			
TITLE	TV 5.0mm Series (2P-24P) " - " Screw		
PART NO.	TVxx51x0xxxxG	DWG NO.	8TV0201
APPROVED	CHECKED	DESIGNED	DRAWN
		Guoxue 2013.07.17	Guoxue 2013.07.17
SHEET: 01/01		Tolerance	
UNIT: mm		X.	±0.50
SCALE: NONE		X.X	±0.30
REV.: C		X.XX	±0.10
		X°	±1°