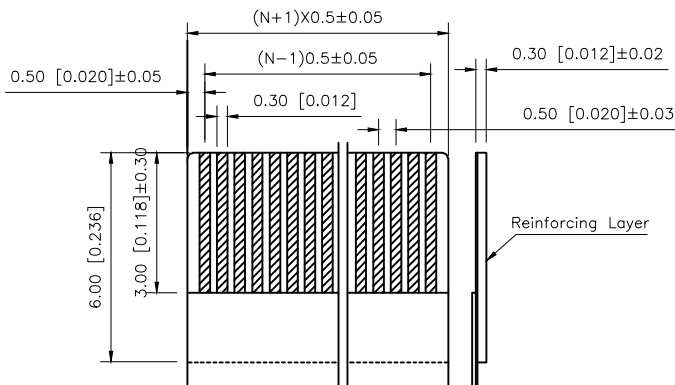
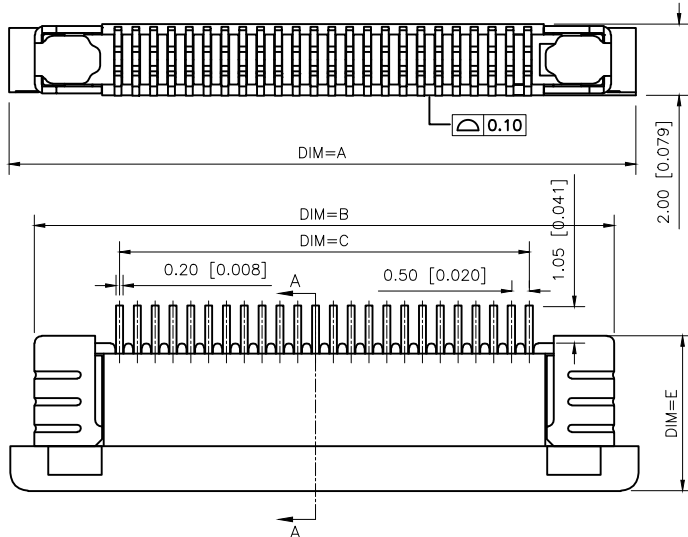
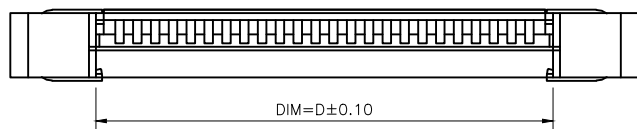


REVISIONS					
REV.	ECN NO.	LOCATION	DESCRIPTION	DATE	DESIGN
A0	N/A		INITIAL RELEASE	/	/
A1	N/A		图面升级整理图面	2025.04.17	阿树



RECOMMENFFD FFC/FPC DIM

- SPECIFICATIONS
- Withstanding Voltage:500V AC/minute
 - Temperature range:-45°C~+125°C
 - Insulation resistance:500MΩ Min
 - Contact resistance:30mΩ Max



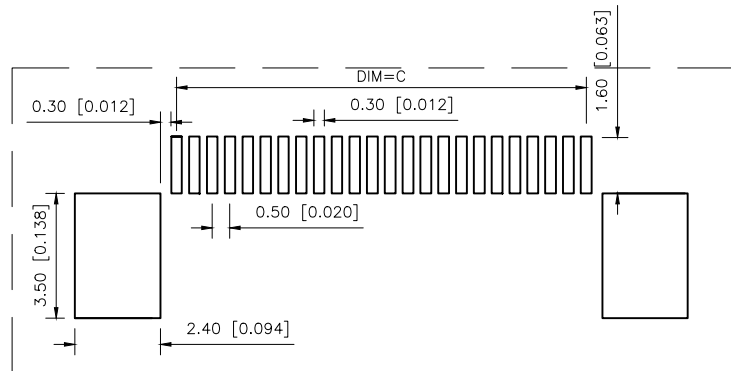
上接触 U:UPPER

PART NO.:

X05B20 U XX I
① ② ③ ④

- ①Series Name:X05B20=0.5mm Pitch(H=2.0mm)
- ②Assembly style :L:Low Contact SMT Type
U:Upper Contact SMT Type
D:Double-Face Contact SMT Type
H:Back-flip Double-Face Contact SMT
- ③Number of terminals :XX=04-60PIN
- ④Plating : T:Tin Over Nickel

Poles	Dimension mm					E	Poles	Dimension mm				
	A	B	C	D	E			A	B	C	D	E
4	7.60	6.50	1.50	2.60			29	20.10	19.00	14.00	15.10	
5	8.10	7.00	2.00	3.10			30	20.60	19.50	14.50	15.60	
6	8.60	7.50	2.50	3.60			31	21.10	20.00	15.00	16.10	
7	9.10	8.00	3.00	4.10			32	21.60	20.50	15.50	16.60	
8	9.60	8.50	3.50	4.60			33	22.10	21.00	16.00	17.10	
9	10.10	9.00	4.00	5.10			34	22.60	21.50	16.50	17.60	
10	10.60	9.50	4.50	5.60			35	23.10	22.00	17.00	18.10	
11	11.10	10.00	5.00	6.10			36	23.60	22.50	17.50	18.60	
12	11.60	10.50	5.50	6.60			38	24.60	23.50	18.50	19.60	
13	12.10	11.00	6.00	7.10			42	26.60	25.50	20.50	21.60	
14	12.60	11.50	6.50	7.60			44	27.60	26.50	21.50	22.60	
15	13.10	12.00	7.00	8.10			45	28.10	27.00	22.00	23.10	
16	13.60	12.50	7.50	8.60			46	28.60	27.50	22.50	23.60	
17	14.10	13.00	8.00	9.10			47	29.10	28.00	23.00	24.10	
18	14.60	13.50	8.50	9.60			48	29.60	28.50	23.50	24.60	
19	15.10	14.00	9.00	10.10		4.40	49	30.10	29.00	24.00	25.10	
20	15.60	14.50	9.50	10.60			50	30.60	29.50	24.50	25.60	
21	16.10	15.00	10.00	11.10			51	31.10	30.00	25.00	26.10	
22	16.60	15.50	10.50	11.60			52	31.60	30.50	25.50	26.60	
23	17.10	16.00	11.00	12.10			53	32.10	31.00	26.00	27.10	4.90
24	17.60	16.50	11.50	12.60			54	32.60	31.50	26.50	27.60	
25	18.10	17.00	12.00	13.10			55	33.10	32.00	27.00	28.10	
26	18.60	17.50	12.50	13.60			56	33.60	32.50	27.50	28.60	
27	19.10	18.00	13.00	14.10			57	34.10	33.00	28.00	29.10	
28	19.60	18.50	13.50	14.60			60	35.60	34.50	29.50	30.60	



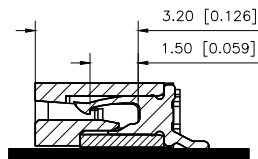
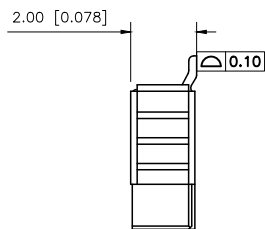
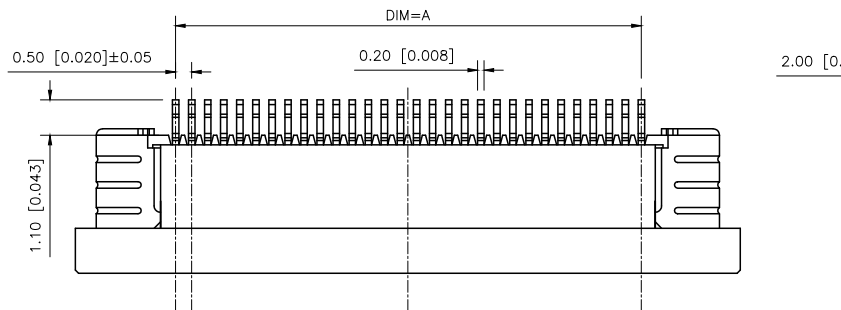
RECOMMENFFD PCB LAYOUT

AuGLAR	±5°
X.	±0.40
X.x	±0.30
X.xx	±0.20
X.xxx	±0.15
UNSPECIFIED TOLERANCES	



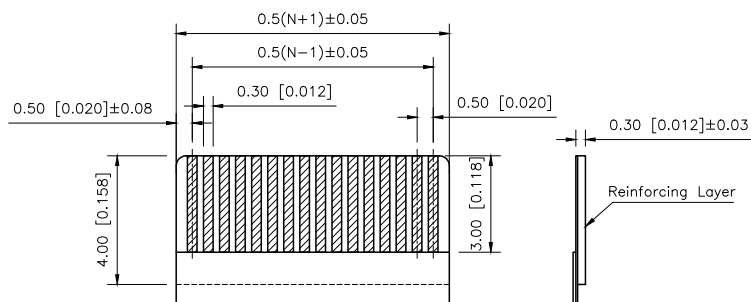
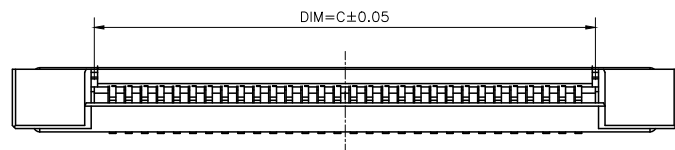
DESIGN	阿树	VIEW:		MODEL TYPE:	FPC CONNECTOR
CHECKED		UNIT:	mm/in	PART NO.:	X05B20UXXT
APPROVED		SIZE:	A4	DWG NO.:	

REVISIONS					
REV.	ECN NO.	LOCATION	DESCRIPTION	DATE	DESIGN
A0	N/A		INITIAL RELEASE	/	/
A1	N/A		图面升级整理图面	2025.04.17	阿树

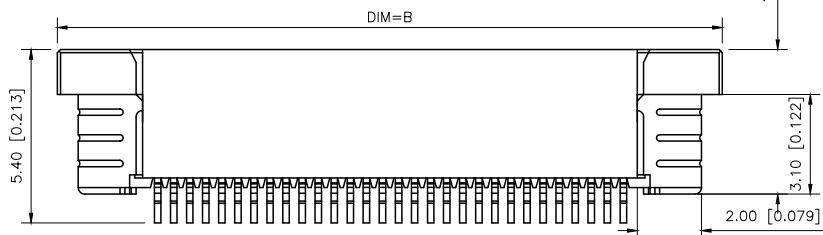


上接触 Up Contact

- SPECIFICATIONS
- Voltage rating:50V AC/DC
 - Current rating:0.4A AC/DC
 - Withstanding Voltage:500V AC/minute
 - Temperature range:-45°C~+125°C
 - Insulation resistance:≥500MΩ
 - Contact resistance:≤20mΩ



RECOMMFFD FFC DIM

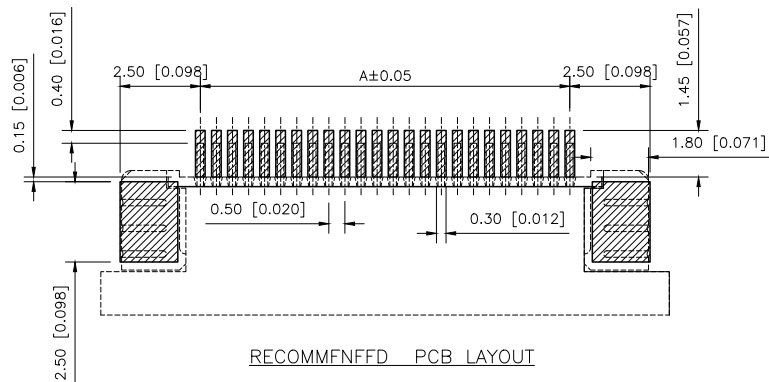


PART NO.:

X05B20 U XX I
① ② ③ ④

- ①Series Name:X05B20=0.5mm Pitch(H=2.0mm)
 ②Assembly style :L:Low Contact SMT Type
 U:Upper Contact SMT Type
 D:Double-Face Contact SMT Type
 H:Back-flip Double-Face Contact SMT
 ③Number of terminals :XX=37/43PIN
 ④Plating : T:Tin Over Nickel

Poles	Dimension mm		
	A	B	C
37	18.00	24.20	19.10
43	21.00	27.20	22.10



RECOMMFFD PCB LAYOUT

AuGLAR	±5°
X.	±0.40
X.x	±0.30
X.xx	±0.20
X.xxx	±0.15
UNSPECIFIED TOLERAUCES	



DESIGN	阿树	VIEW:		MODEL TYPE:	FPC CONNECTOR
CHECKED		UNIT:	mm/in	PART NO.:	X05B20UXXT
APPROVED		SIZE:	A4	DWG NO.:	

XKB INDUSTRIAL PRECISION CO.,LIMITED

SCALE	PAGE	REVISION
N/A	2/2	A1