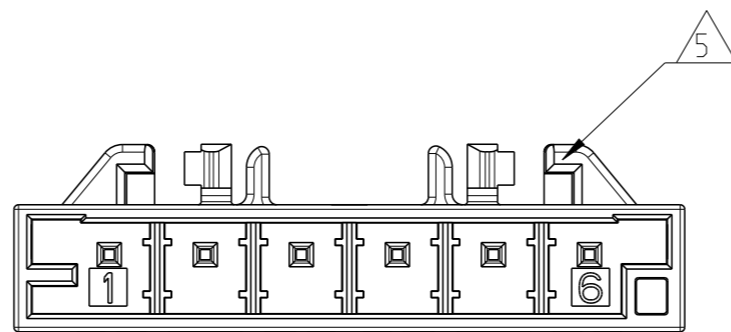
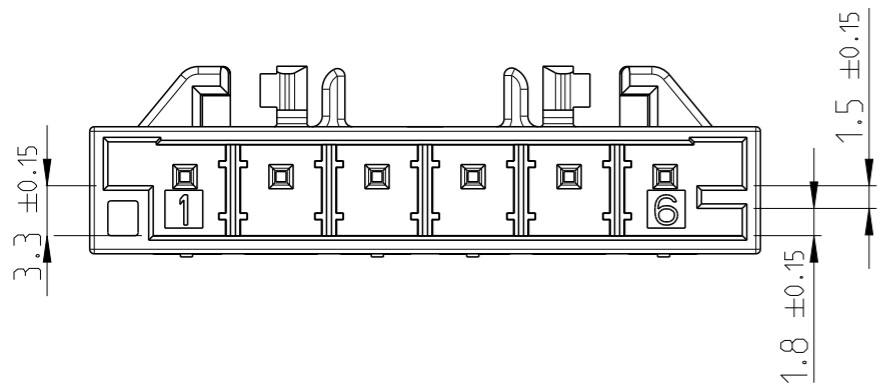


P	LTR	DESCRIPTION	DATE	DWN	APVD
A		NEW RELEASE	28OCT2019	C.N	I.Y
B		ECR-19-019996	27DEC2019	C.N	I.Y
B1		ECN-21-116937	27AUG2021	C.N	J.Z
C		ECN-22-178228	08OCT2022	J.L	J.Z

CODING B AS SHOWN



Notes

1 MATERIAL: PA66, ORANGE

2 SUITABLE TERMIAL P/N:

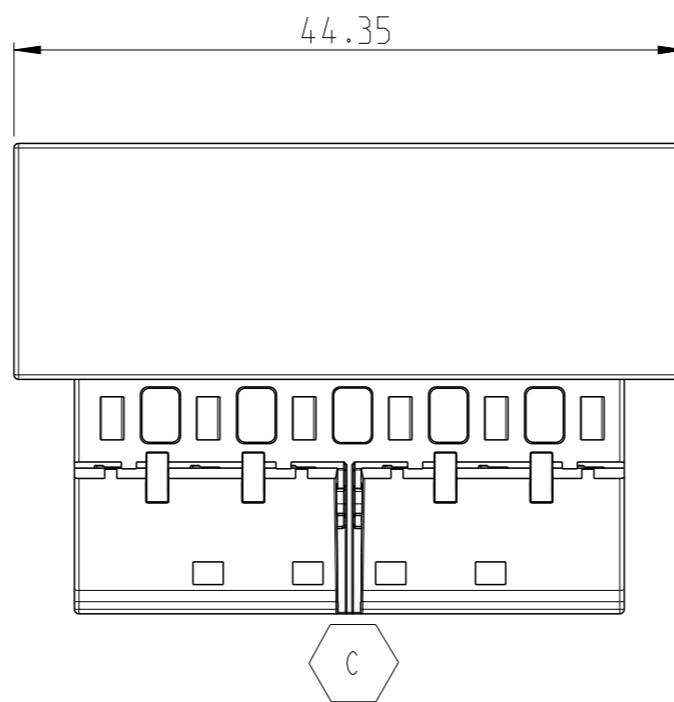
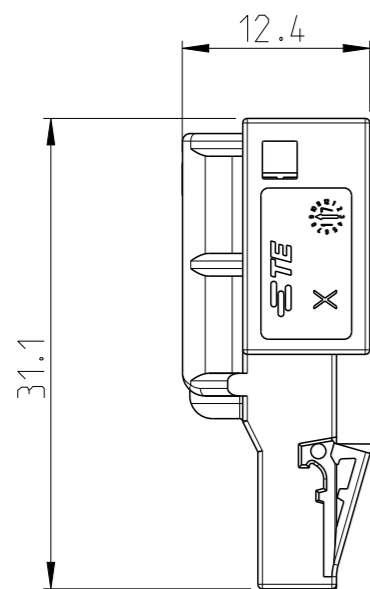
TEMP RANGE	TERMINAL	P/N	WIRE SIZE
-40°C ~+125°C	MQS PIN CONTACT	963716	0.5~0.75mm ²
		928918	0.25~0.35mm ²
-40°C ~105°C	REM TAB CONTACT	2293362-1	0.5~0.75mm ²
		2297494-1	0.25~0.35mm ²

3 MATING REC HOUSING P/N: 2322948

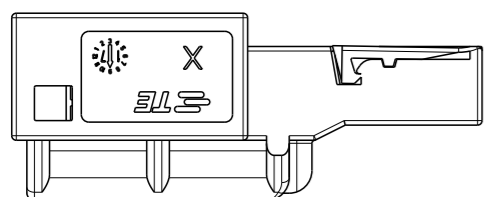
4 RATED OPERATION VOLTAGE: 1000 DC

5 MOUNTING FEATURE ACC. TO SPEC. 114-18063-002

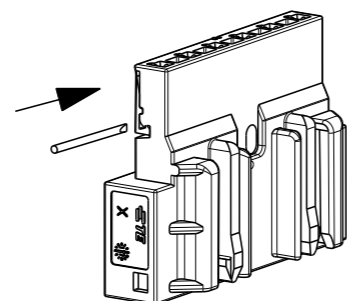
6 IF THE HINGE CLOSED, USE A Ø 1x0.18mm SCREWDRIVER AND PUSH IT IN THE SHOWN OPENING.



HINGE CLOSE VIEW



6 HINGE OPEN METHOD



THIS DRAWING IS A CONTROLLED DOCUMENT.

DIMENSIONS:	TOLERANCES UNLESS OTHERWISE SPECIFIED:
mm	±0.2
0 PLC	±0.1
1 PLC	±0.05
2 PLC	±0.013
3 PLC	±0.0001
4 PLC	±
ANGLES	±
MATERIAL	FINISH
1	-

DWN	C.NIU	28OCT2019
CHK	E.JIANG	29OCT2019
APVD	L.YIN	29OCT2019
PRODUCT SPEC	108-32179	
APPLICATION SPEC	-	
WEIGHT	6.17g	
CUSTOMER DRAWING		

PART NO	REV.	CODING	MATERIAL	COLOUR
0-2359930-2	C	B	PA66	ORANGE
0-2359930-1	C	A	PA66	ORANGE

DWN		28OCT2019		TE Connectivity
CHK	E.JIANG	29OCT2019		
APVD	L.YIN	29OCT2019		
NAME				HV MQS 6P TAB HOUSING
PRODUCT SPEC				108-32179
APPLICATION SPEC				-
SIZE	A3	CAGE CODE	00779	DRAWING NO
C-2359930		RESTRICTED TO		
SCALE		1:1	SHEET	1 OF 1
REV		C		