

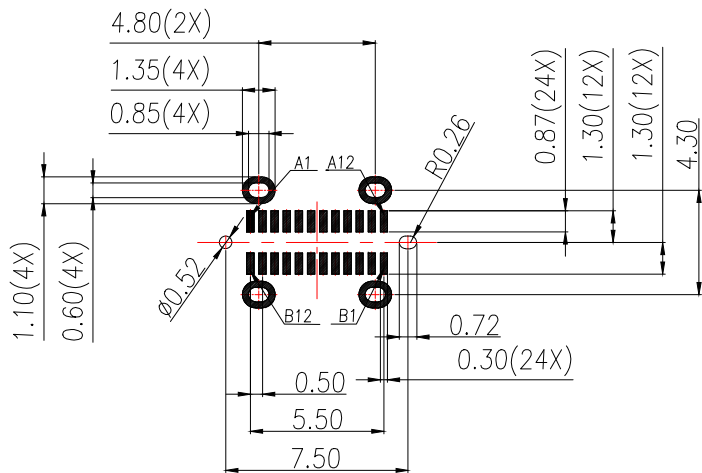
Note: 24pin with ground plate; 16pin without ground plate;

NO.	PART NAME	Q'TY	MATERIAL	FINISH
1	Shell	1	SUS304-1/2H,T=0.30mm	50u"Ni Min.
2	TERMINAL	2	C7025 TM04,T=0.12mm	1u"Au/50u"Ni Min.
3	MID PLATE	1	SUS301-H,T=0.15mm	wash
4	GROUND PLATE	2	SUS301-H,T=0.10mm	wash
5	Housing	1	LCP or PA	UL 94 V-0 BLACK

制图 DRAWN	变更内容 DESCRIPTION	日期 DATE	GENERAL TOLERANCE		制图 DRAWING	EMMA	料号 PART NO.	BX-TYPE-C-397	版本 REV.	A
			X.±0.50	X.'±5°						
			.X±0.35	.X'±3°	核准 APPROVAL	JADE	客户料号 CUTM.NO.			
			.XX±0.25	.XX'±2.5°	单位 UNITS	MM	比例 SCALE	1:1		



RECOMMENDED P.C.B. LAYOUT(24 Pin)

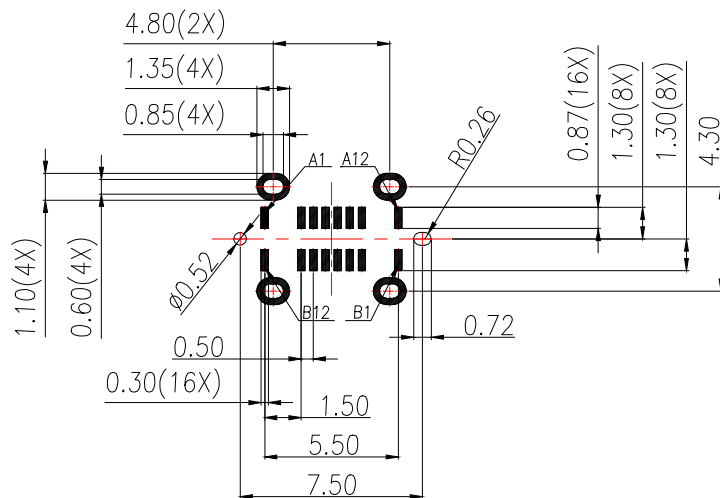


TOLERANCE UNSPECIFIED $\pm 0.05\text{mm}$
RECOMMENDED PCB THICKNESS: $0.8 \pm 0.10\text{mm}$

USB TYPE-C 24PIN ASSIGNMENTS

PIN NUMBER	SIGNAL NAME	PIN NUMBER	SIGNAL NAME
A1	GND	B12	GND
A2	SSTXp1	B11	SSTXp1
A3	SSTXn1	B10	SSTXn1
A4	VBUS	B9	VBUS
A5	CC1	B8	SBU2
A6	Dp1	B7	Dn2
A7	Dn1	B6	Dp2
A8	SBU1	B5	CC2
A9	VBUS	B4	VBUS
A10	SSRXn2	B3	SSRXn2
A11	SSRXp2	B2	SSRXp2
A12	GND	B1	GND

RECOMMENDED P.C.B. LAYOUT(16 Pin)



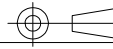
TOLERANCE UNSPECIFIED $\pm 0.05\text{mm}$
RECOMMENDED PCB THICKNESS: $0.8 \pm 0.10\text{mm}$

USB TYPE-C 16PIN ASSIGNMENTS

PIN NUMBER	SIGNAL NAME	PIN NUMBER	SIGNAL NAME
A1	GND	B12	GND
A4	VBUS	B9	VBUS
A5	CC1	B8	SBU2
A6	Dp1	B7	Dn2
A7	Dn1	B6	Dp2
A8	SBU1	B5	CC2
A9	VBUS	B4	VBUS
A12	GND	B1	GND

SPECIFICATION:

- MATERIAL:
 - HOUSING&MOLDING: HIGH TEMPERATURE RESISTANT PLASTIC, UL94 V-0 COLOR: BLACK
 - CONTACTS: COPPER ALLOY T=0.12mm
 - SHELL: STAINLESS STEEL SUS304-1/2H, T=0.30
 - MID PLATE: STAINLESS STEEL(SUS301) T=0.15mm
 - EMI PLATE: STAINLESS STEEL(SUS301) T=0.10mm
- PLATING SPECIFICATION:
 - CONTACTS:
 - Ni 50u" MIN. UNDER PLATED OVER ALL.
 - Au PLATED ON THE MATING AREA OF CONTACT. MATTE SN PLATED ON THE SOLDER AREA.
 - SHELL: Ni 30u" MIN. UNDER PLATED OVER ALL.
 - MID PLATE: CLEAR ONLY
 - EMI PLATE: CLEAR ONLY
- MECHANICAL:
 - MATING FORCE: 0.5~2.0kgf;
 - UNMATING FORCE: 0.8~2.0kgf.
0.6~2.0kgf AFTER DURABILITY TEST;
 - DURABILITY: 10000 CYCLES;
- ELECTRICAL:
 - CURRENT RATING: 5A Max;
 - VOLTAGE RATING: 20V Max;
 - DIELECTRIC WITHSTANDING VOLTAGE: 100VAc;
 - CONTACT RESISTANCE: 40m Ohms Max.;
 - INSULATION RESISTANCE: 100M Ohms Min.;
- ENVIRONMENTAL:
 - OPERATING TEMPERATURE: -40°C~+85°C;
 - WETTING TEMPERATURE: 265 \pm 5°C, 5 \pm 0.5s

制图 DRAWN	变更内容 DESCRIPTION	日期 DATE	GENERAL TOLERANCE		制图 DRAWING	EMMA		料号 PART NO.	BX-TYPE-C-397		版本 REV.	A
			X. \pm 0.50	X. \pm 5°	审核 CHECK	EVA		品名 TITLE	TYPE-C Vertical Type Double Row SMT REC		页次 SHEET	1/1
			.X \pm 0.35	.X \pm 3°	核准 APPROVAL	JADE		客户料号 CUTM.NO.				
			.XX \pm 0.25	.XX \pm 2.5°	单位 UNITS	MM	比例 SCALE	1:1	