

1-84981-0 ✓ ACTIVE

FPC

TE Internal #: 1-84981-0

1 mm [.039 in] Centerline, Right Angle, Surface Mount, Tin, 10

Position, FPC Connectors

[View on TE.com >](#)



Connectors > PCB Connectors > Wire-to-Board Connectors > FFC, FPC & Ribbon Connectors > FPC Connectors



Centerline (Pitch): 1 mm [.039 in]

Mating Retention Type: Non ZIF

PCB Mount Orientation: Right Angle

Contact Mating Location: Top

Termination Method to PCB: Surface Mount

### Features

#### Electrical Characteristics

Operating Voltage	125 VAC
-------------------	---------

#### Usage Conditions

Operating Temperature Range	-20 – 85 °C[-4 – 185 °F]
-----------------------------	--------------------------

#### Operation/Application

Circuit Application	Signal
---------------------	--------

#### Product Type Features

Connector & Contact Terminates To	Flexible Printed Circuit (FPC)
Connector Product Type	Connector Assembly
Connector System	Flex-to-Board
PCB Connector Assembly Type	PCB Mount Receptacle

#### Body Features

Primary Product Color	Natural
-----------------------	---------

#### Identification Marking

Circuit Identification Feature	Without
--------------------------------	---------

### Packaging Features

Packaging Quantity	1500
Packaging Method	Tape

### Dimensions

Accepts Flex Cable Thickness	.3 mm[.012 in]
Connector Width	6.3 mm[.248 in]
Connector Height	3 mm[.118 in]
Connector Length	13 mm[.511 in]

### Termination Features

Termination Post & Tail Length	.7 mm[.028 in]
Termination Method to PCB	Surface Mount

### Contact Features

PCB Contact Termination Area Plating Material Finish	Matte
Contact Mating Area Plating Material Thickness	1 $\mu$ m[39.37 $\mu$ in]
Contact Current Rating (Max)	1 A
PCB Contact Termination Area Plating Material Thickness	1 $\mu$ m[39.37 $\mu$ in]
Contact Shape & Form	Single Beam
Contact Layout	Inline
Contact Base Material	Phosphor Bronze
PCB Contact Termination Area Plating Material	Tin
Contact Type	Socket
Contact Mating Area Plating Material Finish	Matte
Contact Mating Location	Top
Contact Mating Area Plating Material	Tin

### Configuration Features

Compatible With Wire & Cable Type	FFC, FPC
Number of Rows	1
PCB Mount Orientation	Right Angle
Number of Positions	10

### Mechanical Attachment

Connector Mounting Type	Board Mount
PCB Mount Retention	With



Mating Alignment	Without
PCB Mount Alignment	Without
Mating Retention Type	Non ZIF

### Housing Features

Housing Material	Nylon
Centerline (Pitch)	1 mm [.039 in]

### Other

EU RoHS Compliance	Compliant
EU ELV Compliance	Compliant

### Product Compliance

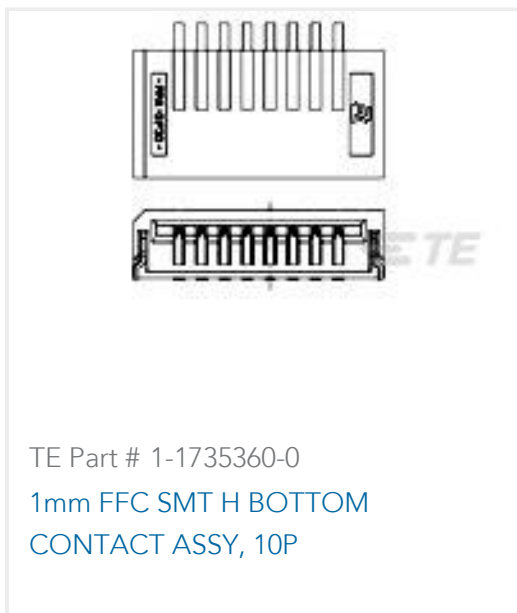
[For compliance documentation, visit the product page on TE.com>](#)

EU RoHS Directive 2011/65/EU	Compliant
EU ELV Directive 2000/53/EC	Compliant
China RoHS 2 Directive MIIT Order No 32, 2016	No Restricted Materials Above Threshold
EU REACH Regulation (EC) No. 1907/2006	Current ECHA Candidate List: JUNE 2024 (241) Candidate List Declared Against: JUNE 2024 (241) Does not contain REACH SVHC
Halogen Content	Not Low Halogen - contains Br or Cl > 900 ppm.
Solder Process Capability	Reflow solder capable to 245°C

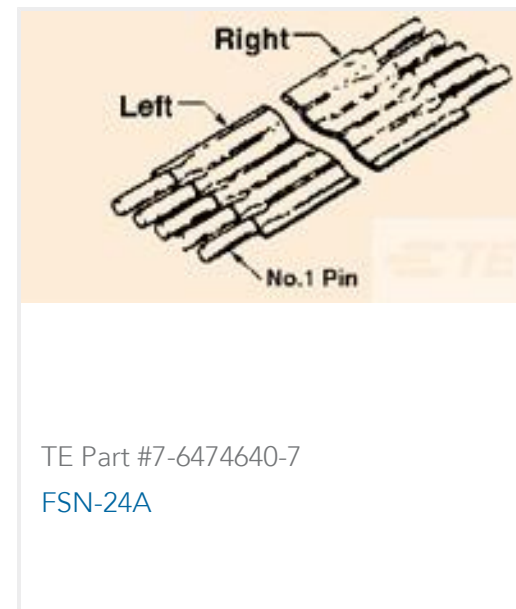
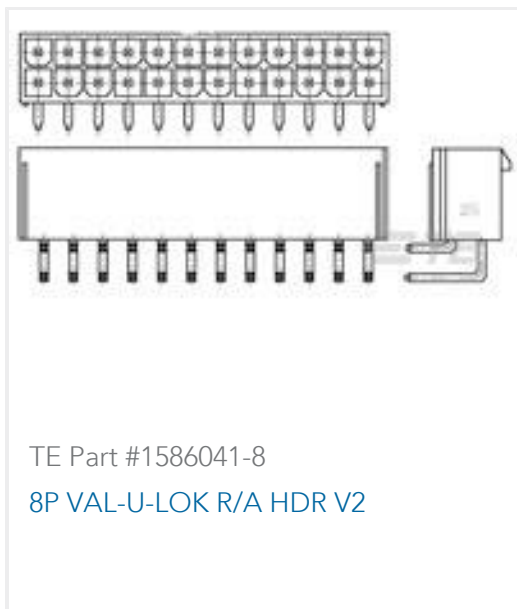
#### Product Compliance Disclaimer

This information is provided based on reasonable inquiry of our suppliers and represents our current actual knowledge based on the information they provided. This information is subject to change. The part numbers that TE has identified as EU RoHS compliant have a maximum concentration of 0.1% by weight in homogenous materials for lead, hexavalent chromium, mercury, PBB, PBDE, DBP, BBP, DEHP, DIBP, and 0.01% for cadmium, or qualify for an exemption to these limits as defined in the Annexes of Directive 2011/65/EU (RoHS2). Finished electrical and electronic equipment products will be CE marked as required by Directive 2011/65/EU. Components may not be CE marked. Additionally, the part numbers that TE has identified as EU ELV compliant have a maximum concentration of 0.1% by weight in homogenous materials for lead, hexavalent chromium, and mercury, and 0.01% for cadmium, or qualify for an exemption to these limits as defined in the Annexes of Directive 2000/53/EC (ELV). Regarding the REACH Regulation, the information TE provides on SVHC in articles for this part number is based on the latest European Chemicals Agency (ECHA) 'Guidance on requirements for substances in articles' posted at this URL: <https://echa.europa.eu/guidance-documents/guidance-on-reach>

### Compatible Parts



## Customers Also Bought



## Documents

### Product Drawings

[1MM FFC SMT H ASSY 10P EMBOSS](#)

English

### CAD Files

[Customer View Model](#)

[ENG\\_CVM\\_CVM\\_1-84981-0\\_J.3d\\_igs.zip](#)

English

[Customer View Model](#)



[ENG\\_CVM\\_CVM\\_1-84981-0\\_J.3d\\_stp.zip](#)

English

**Customer View Model**

[ENG\\_CVM\\_CVM\\_1-84981-0\\_J.2d\\_dxf.zip](#)

English

**3D PDF**

3D

By downloading the CAD file I accept and agree to the [Terms and Conditions](#) of use.

---

## Datasheets & Catalog Pages

**FPC Connector Family**

English

[1-1773959-7-FPC-Connectors-CN](#)

English

---

## Product Specifications

**Product Specification**

English

---

## Agency Approvals

**UL Report**

English