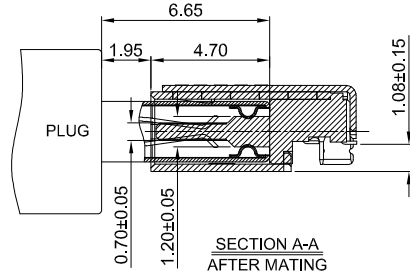
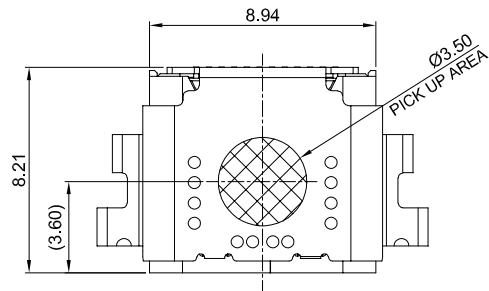


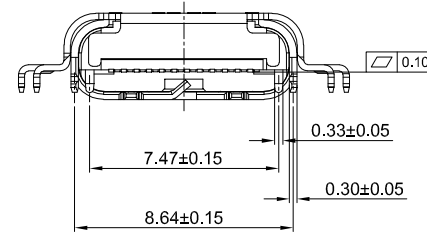
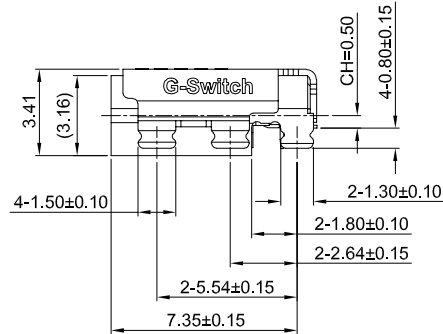
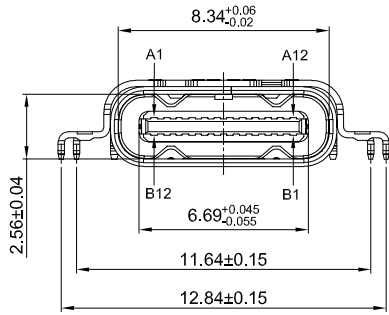
A



CONTACT AREA	MOLDE CODE
Au1u"	GT-USB-9087A-01
Au3u"	GT-USB-9087A-03
Au5u"	GT-USB-9087A-05
Au15u"	GT-USB-9087A-15
Au30u"	GT-USB-9087A-30



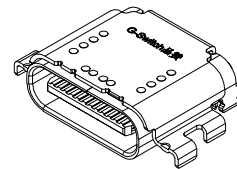
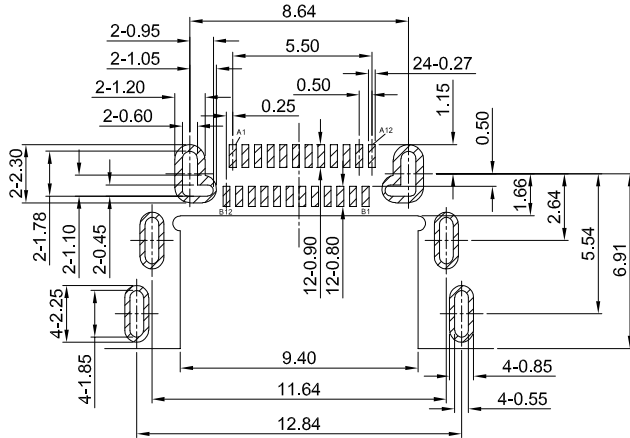
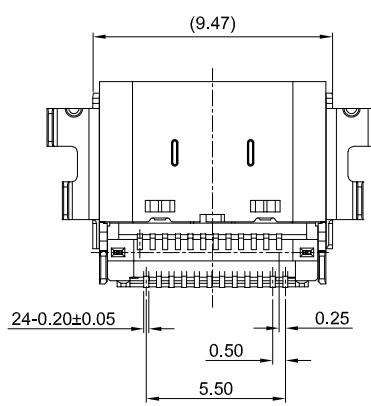
B



**G-Switch USB-C Specification:**

- Current rated: 10A on vbus/1.25A on vconn/0.25A on other
- Withstanding voltage: 100V AC/minute
- Contact resistance: 40mΩ Max
- Insulation resistance: 100MΩ Min
- Operating temperature: -40°C ~ +85°C
- Mating force: 5N~20N
- Unmating force: 8N~20N, after durability test: 6N~20N
- Durability cycle: 10,000 cycles
- Data transmission rate up to 40Gbps
- Compliant with: IEC62680-1-3

D



A1	A2	A3	A4	A5	A6	A7	A8	A9	A10	A11	A12
GND	TX1+	TX1-	VBUS	CC1	D+	D-	SBU1	VBUS	RX2-	RX2+	GND
First	Second	Second	First	Second	Second	Second	Second	First	Second	Second	First

B12	B11	B10	B9	B8	B7	B6	B5	B4	B3	B2	B1
GND	RX1+	RX1-	VBUS	SBU2	D-	D+	CC2	VBUS	TX2-	TX2+	GND
First	Second	Second	First	Second	Second	Second	Second	First	Second	Second	First

E

NO.	PARTS	MATERIAL	REMARKS
1	SHELL	STAINLESS STEEL 304	Ni30u"MIN PLATED
2	MID PLATE	STAINLESS STEEL 301	Ni30u"MIN PLATED
3	HOUSING	PA9T	BLACK UL 94V-0
4	TERMINALS	COPPER ALLOY C18140	Au PLATED ON CONTACT AREA G/F PLATED ON SOLDER AREA
5	OUT SHELL	STAINLESS STEEL 304	Ni30u"MIN PLATED

PCB REFERENCE DIAGRAM  
TOLERANCE:±0.05



SCALE: 1:1	UNIT: mm	Title: Horizontal Type-C 24P Female SMT Mid-Mount 1.08 CH=0.50 L=8.21mm	
SIZE: A4		Molde Code: GT-USB-9087A-XX	
Unless otherwise General Tolerance:		DRAWN	CHECKED
X.	±0.40	APPROVED	DATE
X.x	±0.30	Wu	2025.02.07
X.xx	±0.20	Xia	
X.xxx	±0.10	Chen	
X"	±5°		

品赞科技  
 www.dg-switch.com

REV: A0 SHEET: 1/1

E

品赞电子(东莞)有限公司

品赞电子(东莞)有限公司