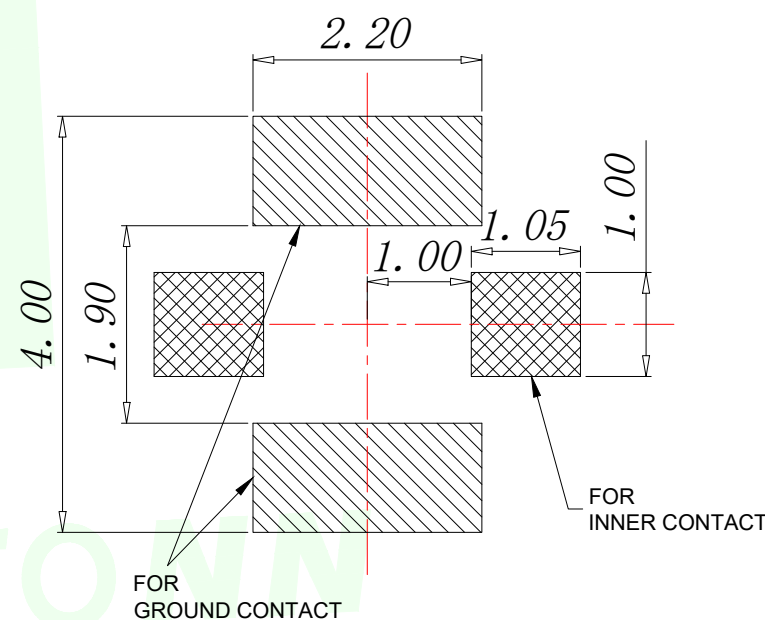
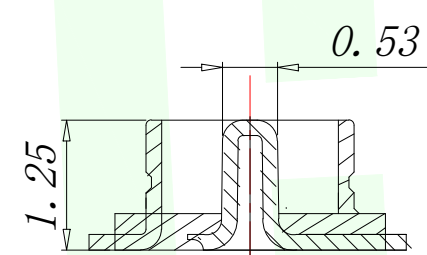
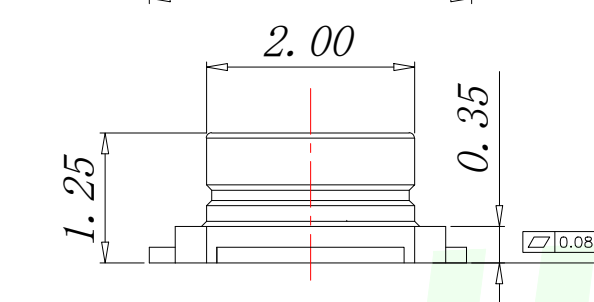
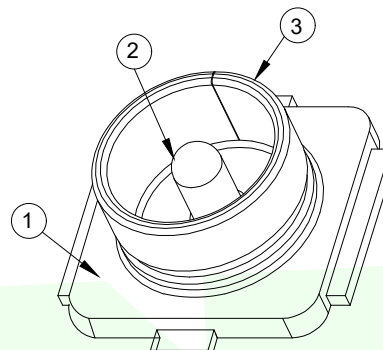
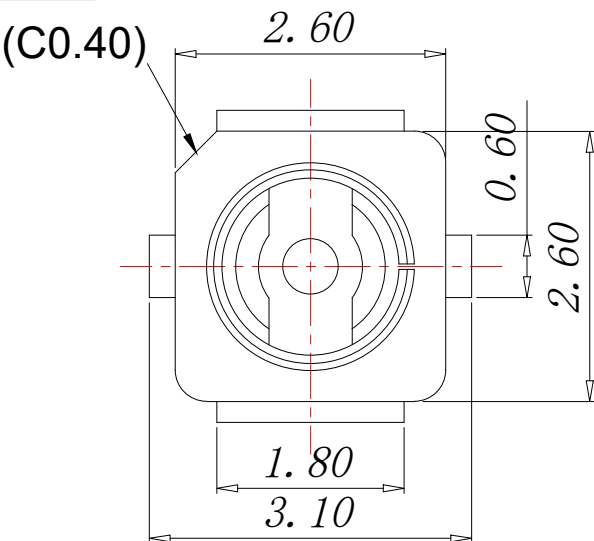


RoHs

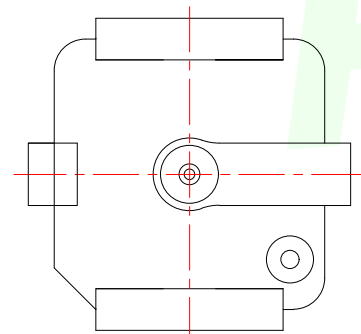
VER	MARK	PR. BY	DESCRIPTION	DATE




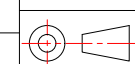
NOTE:1
 1. ELECTRICAL CHARACTERISTICS:
 1.1 CURRENT RATING: 0.5A MAX.
 1.2 IMPEDANCE:500HM NOMINAL.
 2. MECHANICAL CHARACTERISTICS:
 2.1 OPERATING TEMP. -40°~90°
 2.2 VEWR UP TO 3GHZ:1.3MAX.
 3GHZ TO 6GHZ:1.4MAX.
 2.3 DURABILITY:30CYCLES

NOTE:2
 1.HOUSING MATERIAL: LCP, NATURE, UL94V-0.
 2.TERMINAL MATERIAL: COPPER ALLOY (C2680),
 3.SHELL MATERIAL: COPPER ALLOY (C5191),

RECOMMENDED PCB LAYOUT
 GENERAL TOLERANCE ±0.05



ITEM	DESCRIPTION	Q'TY	MATERIAL	FINISH	REMARK
3	GROUND CONTACT	1	COPPER ALLOY	Au PLATING OVER NI OVER ALL	
2	INNER CONTACT	1	COPPER ALLOY	Au PLATING OVER NI OVER ALL	
1	HOUSING	1	LCP UL94V-0		

GENERAL TOLERANCES UNLESS SPECIFIED		 深圳市华明通电子有限公司 Shenzhen Huamingtong Electronics Co., Ltd	
X.X ±0.30	X.* ±5°	PART NO.	TITLE:
.XX ±0.20	X.X* ±1°	HMT-IPEX1-U.FL	IPEX 内针
.XXX ±0.10	X.XX* ±0.5°	DESIGN: James	CUSTOMER
MANUFACTURE DWG		CHED: Talen	SIZE A4
		APPD: Sophia	UNITS MM
			SCALE N:A
			SHEET 1/1