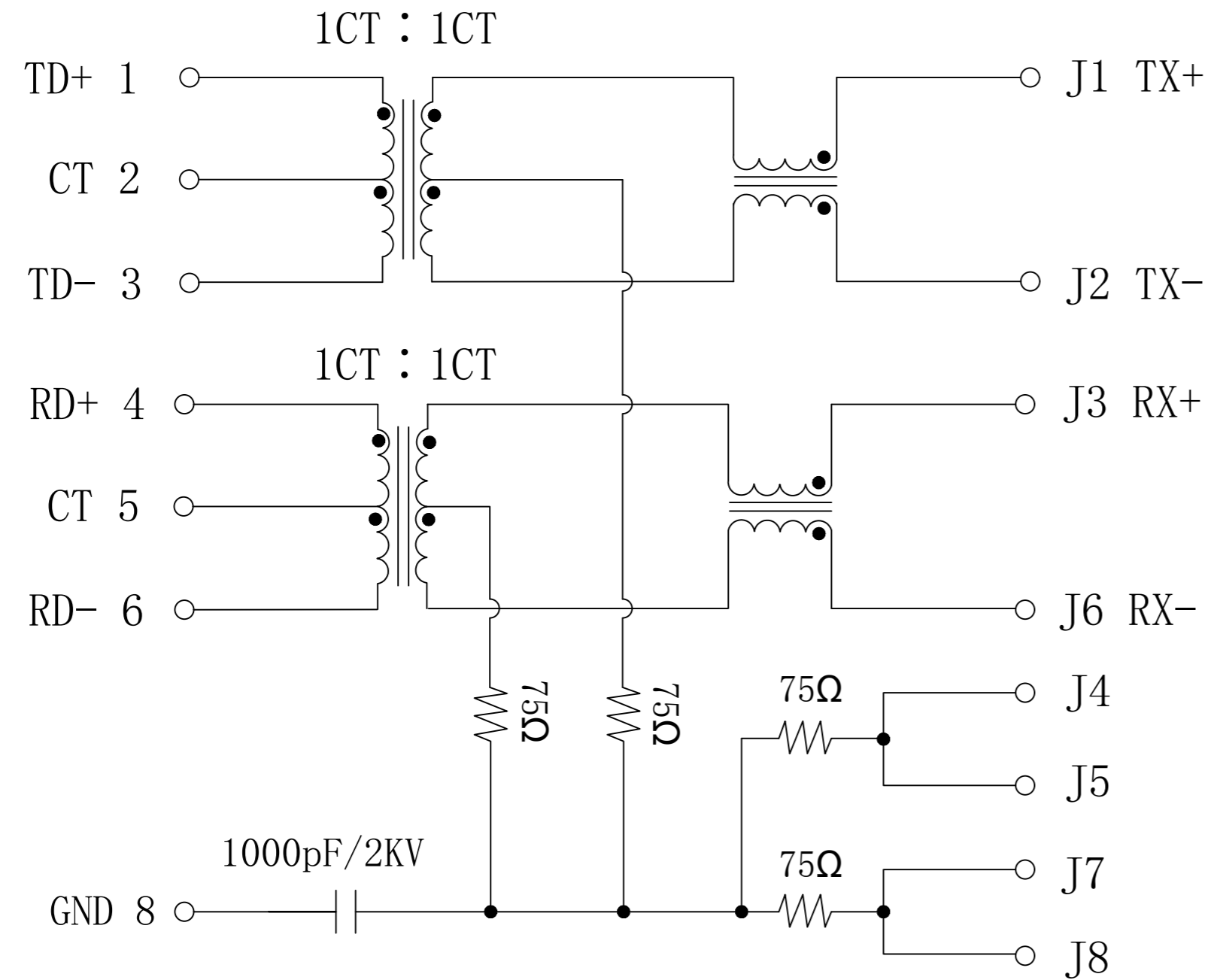


Schematic:

REV.	ECN NO.	DESCRIPTION	DATE	APPD
A	REL		2010-06-24	

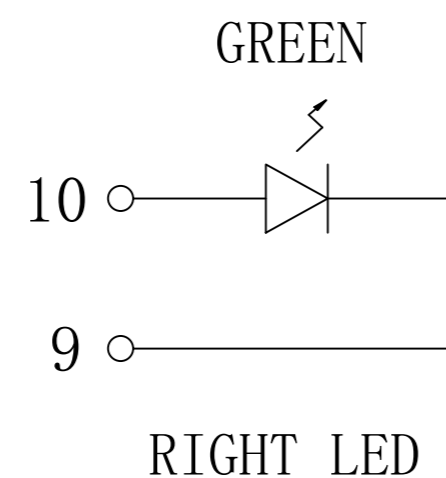
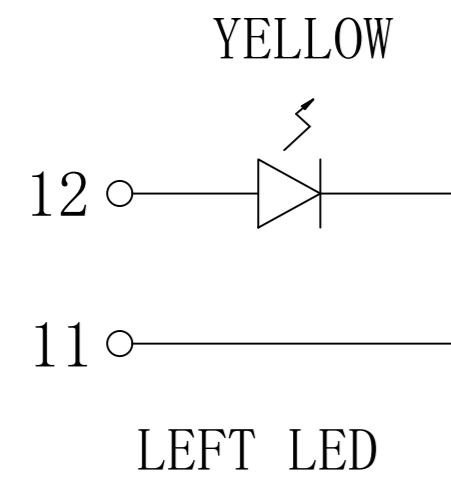
PC BOARD CONNECTIONS



RJ45 CONNECTOR

Electrical Specifications @25°C

- Turns Ratio:
TX = 1CT:1CT RX = 1CT:1CT
- OCL(@100KHz, 0.1V, 8mA DC Bias):
350uH MIN
- Insertion Loss:
1~65MHz:-1.0dB MAX
- Return Loss:
1~10MHz:-20dB MIN.
10~30MHz:-16dB MIN.
30~60MHz:-12dB MIN.
60~100MHz:-10dB MIN.
- Crosstalk:
1~30MHz:-40dB MIN
30~60MHz:-35dB MIN
60~100MHz:-30dB MIN
- Common Mode Rejection:
1~50MHz:-30dB MIN
50~100MHz:-20dB MIN
- Isolation PHY SIDE To Line SIDE : 1500Vrms
- Operating Temperature: 0°C~70°C.

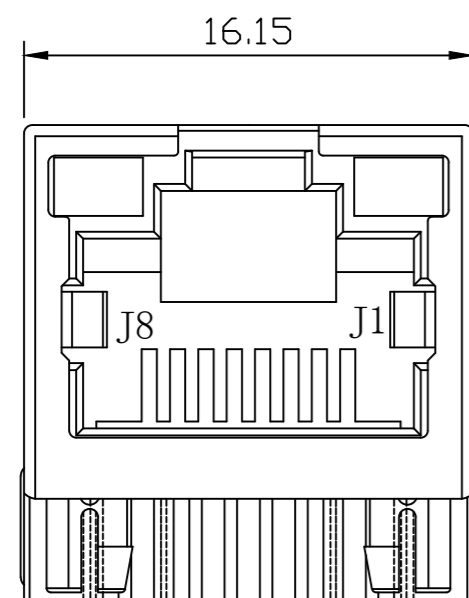


Emitting Color	λ_p (nm)	V _F @I _F =20mA	I _R @V _R =5V
GREEN	565	1.8~2.6V	10 μ A max
YELLOW	585	1.8~2.6V	10 μ A max

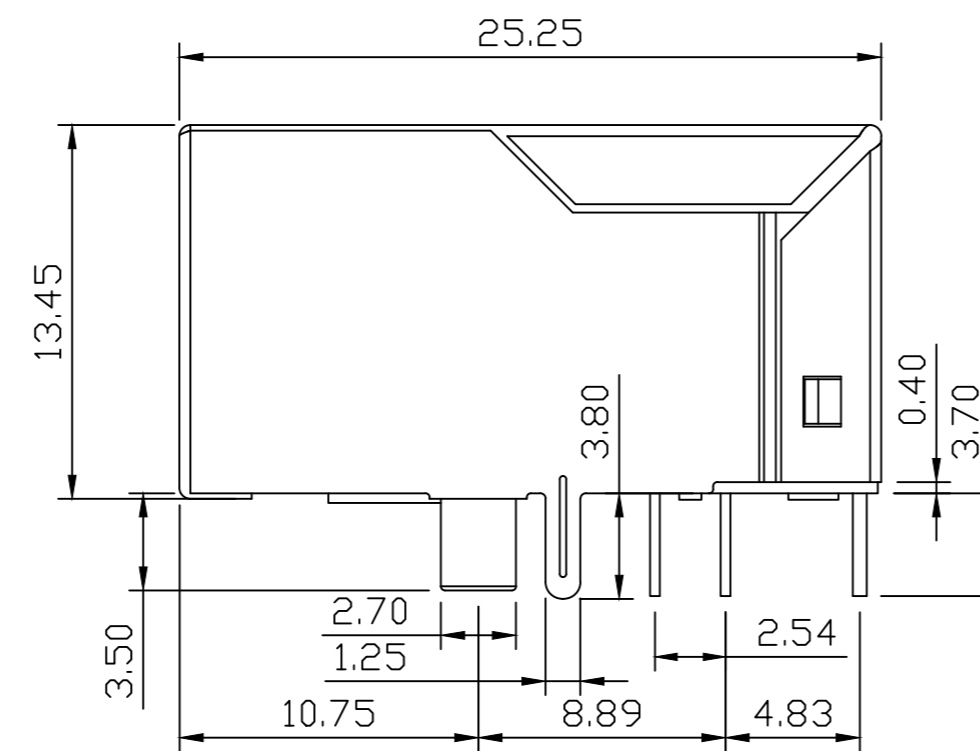
X:X ±0.30	APPD: TOM	LINK-PP INT'L TECHNOLOGY CO., LIMITED	
X:XX ±0.25	CHKD: JAMES	TITLE: RJ45 Connector with 10/100 Base-T Integrated Magnetics	
X:XXX ±0.05	DR: LEO	PART NO.: LPJ1014BGNL	
ANGLES ±1°	UNIT: mm	DWG NO.: LP10062401	
	SCALE: 2/1	SHEET: 1/2	REV: A

Mechanical:

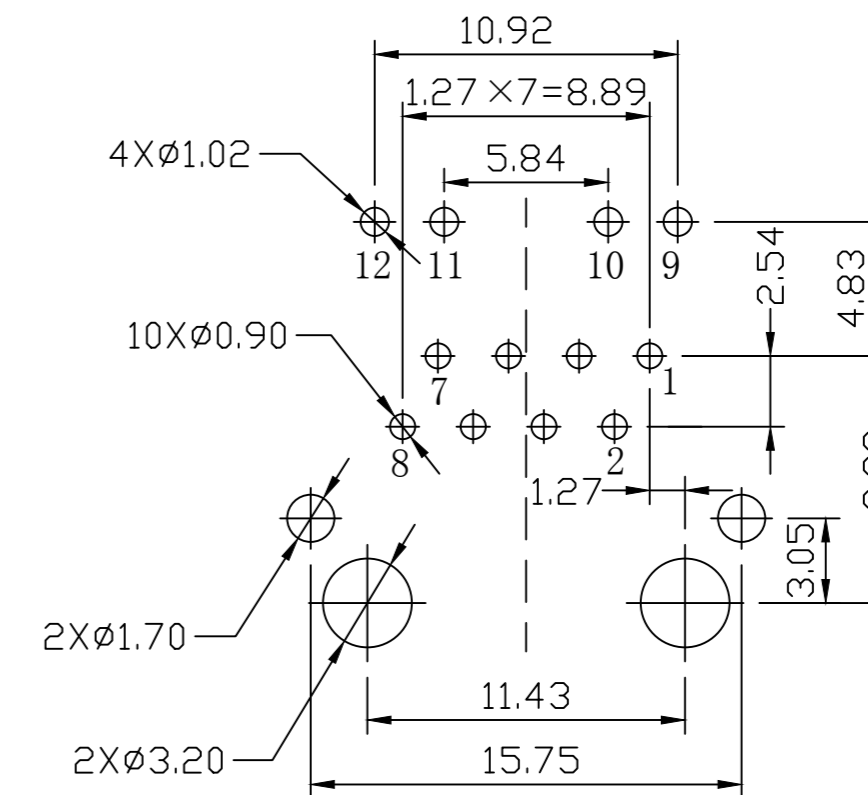
REV.	ECN NO.	DESCRIPTION	DATE	APPD
A	REL		2010-06-24	



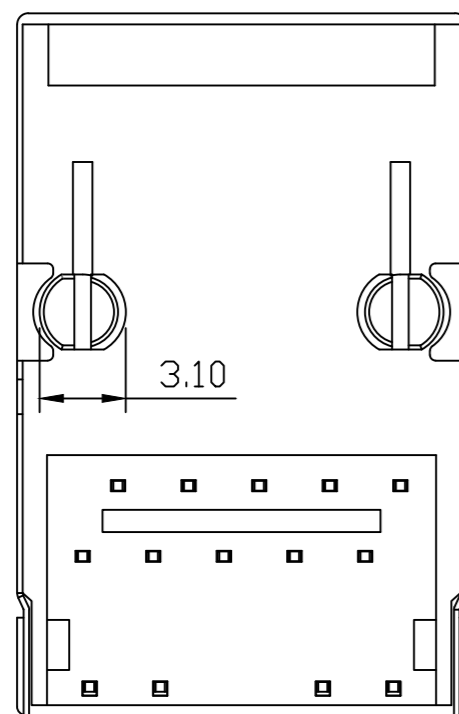
Front Side View



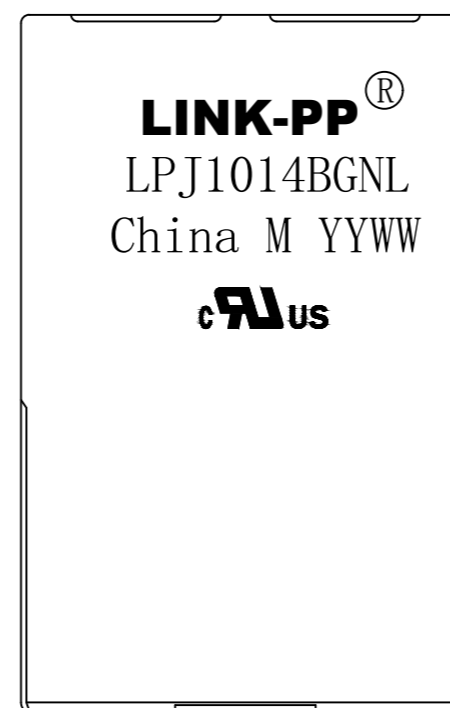
Left Side View



Suggested PCB Layout (Top View)



Bottom Side View



Top Side View

NOTES:

1. Designed to support application, such as SOHO (ADSL modems), LAN-on-Motherboard (LOM), hub and Switches.
2. Meets IEEE802.3 specification
3. Connector Materials:
 Housing: Thermoplastic PBT+30%G.F UL94V-0
 Contact: Phosphor Bronze C5210R-EH Thickness=0.35mm
 Pins: Brass C2680R-H Thickness=0.35mm
 Shield: SUS 304-1/2H Thickness=0.2mm
 Contact plating: Gold 6 micro-inches min. In contact area.
4. Wave solder tip temperature: 250°C, 5 Sec.
5. UL Certification: File Number E484635.



X:X ±0.30	APPD: TOM	LINK-PP INT'L TECHNOLOGY CO., LIMITED
X:XX ±0.25	CHKD: JAMES	
X:XXX ±0.05	DR: LEO	TITLE: RJ45 Connector with 10/100 Base-T Integrated Magnetics
ANGLES ±1°	UNIT: mm	PART NO.: LPJ1014BGNL
	SCALE: 2/1	SHEET: 2/2
	REV: A	DWG NO.: LP10062401