

SPECIFICATION

MATERIAL:

Housing: PBT+30%G. F UL94V-0

Contacts: Copper Alloy

ELECTRICAL:

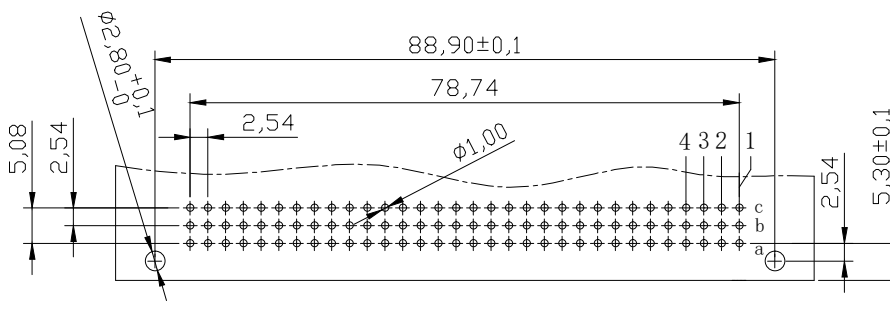
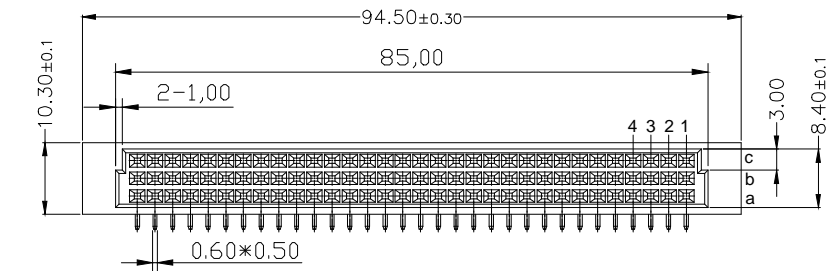
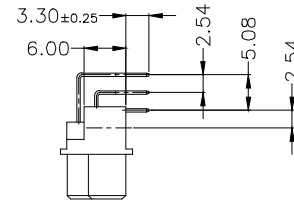
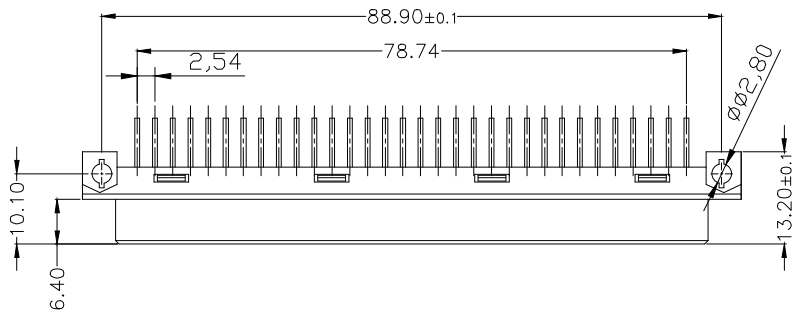
Current rating: 2 Amps .

Contact resistance: 20 mΩ initial

Insulation resistance: 1000 MΩ min @ 500 VDC

Dielectric withstanding voltage: 1000 VAC/minute

Operating temperature: -55° C TO +125° C



Pitch	Position	Rows with Contacts	Contact Arrange
2.54	96	A B C	
	64	A - C	
	32	A - -	
5.08	48	A B C	
	32	A - C	
	16	A - -	

PCB LAYOUT(RECOMMENDED)

(TOP VIEW TOL. :±0.05)

9001- 1 4 96 1 C 00 A
 Series 1:2.54mm 4:Female Position 1:Dip Length C:Selective 00:G/F A:Tray
 2:5.08mm Gold Plated Package

公差一览表 TOLERANCE UNLESS OTHERWISE				LXW 连兴旺电子(深圳)有限公司 LXWCONN ELECTRONICS (SHENZHEN) CO., LTD						
X.	±0.25	X°.	±5°	单位 UNITS	mm	制图 DRAWING	OD	产品名称 TITLE	欧式插座 DIN41612	
.X	±0.20	.X°	±2°	角法 VIEW		设计 DESIGN	LZG	396弯孔 90度母座		
.XX	±0.15	.XX°	±1°	比例 SCALE	1:1	审核 CHKD	FGD	产品料号 PART NO.		
.XXX	±0.02	.XXX°	±0.5°	日期 Date	2009.04.15	版本 VER	A0	核准 APPD	ZY	
				图号 DRAW NO.	9001-14961C00A-A0					