



M12 Connector

TE Internal #: T4145415021-001

2 Position Circular Connector, Wire-to-Panel, Sealable, Wire & Cable, Signal, Panel Mount, Reverse Gender, Nickel, Copper Alloy, Code B, M12 Connector

[View on TE.com >](#)

Connectors > Circular Connectors > Standard Circular Connectors > M12 Panel Mount PCB



Number of Positions: 2

Connector System: **Wire-to-Panel**

Sealable: **Yes**

Connector & Contact Terminates To: **Wire & Cable**

Contact Current Rating (Max): **4 A**

[All M12 Panel Mount PCB \(103\)](#)

Features

Industry Standards

| | |
|------------------------|---------|
| UL Flammability Rating | UL 94HB |
|------------------------|---------|

Usage Conditions

| | |
|-----------------------------|---------------------------|
| IP Dust Sealing Level | 6 |
| IP Water Sealing Level | 7 |
| Operating Temperature Range | -40 – 85 °C[-40 – 185 °F] |

Body Features

| | |
|---|--------------|
| Primary Product Color | Black |
| Shell Plating Material | Nickel |
| Shell Base Material | Copper Alloy |
| Circular Connector Insulation Material Type | Polyamide GF |
| Hermetically Sealed | Yes |

Product Type Features



| | |
|-----------------------------------|----------------------|
| Assembly Requirement | Factory Assembled |
| Assembly Type | Electrical Connector |
| Circular Connector Shell Type | Metal-Shell |
| Connector Product Type | Connector Assembly |
| Connector System | Wire-to-Panel |
| Sealable | Yes |
| Connector & Contact Terminates To | Wire & Cable |
| Circular Connector Type | Receptacle |
| Shell Type | Metal |

Configuration Features

| | |
|----------------------------|-----|
| Number of Positions | 2 |
| Number of Power Positions | 0 |
| Number of Signal Positions | 2 |
| Contacts Preloaded | Yes |

Contact Features

| | |
|---------------------------------|--------|
| Contact Current Rating (Max) | 4 A |
| Reverse Gender | Yes |
| Circular Connector Contact Type | Socket |

Mechanical Attachment

| | |
|-------------------------|-------------|
| Connector Mounting Type | Panel Mount |
| Polarization Code | B |
| Mating Alignment Type | Keyed |

Housing Features

| | |
|-------------------------------|----|
| Circular Connector Shell Size | 12 |
|-------------------------------|----|

Operation/Application

| | |
|---------------------|--------|
| Circuit Application | Signal |
| Shielded | No |

Other

| | |
|--------------------|---------------------------|
| EU RoHS Compliance | Compliant with Exemptions |
| EU ELV Compliance | Compliant with Exemptions |

Product Compliance

[For compliance documentation, visit the product page on TE.com>](#)



| | |
|---|--|
| EU RoHS Directive 2011/65/EU | Compliant with Exemptions |
| EU ELV Directive 2000/53/EC | Compliant with Exemptions |
| China RoHS 2 Directive MIIT Order No 32, 2016 | Restricted Materials Above Threshold |
| EU REACH Regulation (EC) No. 1907/2006 | Current ECHA Candidate List: JUNE 2024 (241) Candidate List Declared Against: JUNE 2024 (241) SVHC > Threshold: Pb (3.7% in Component Part) Article Safe Usage Statements: Do not eat, drink or smoke when using this product. Wash thoroughly after handling. Recycle if possible and dispose of the article by following all applicable governmental regulations relevant to your geographic location. |
| Halogen Content | Not Low Halogen - contains Br or Cl > 900 ppm. |
| Solder Process Capability | Not applicable for solder process capability |

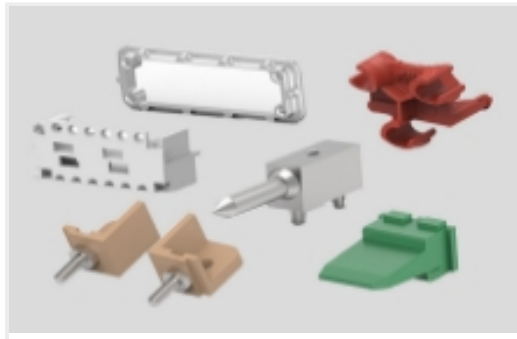
Product Compliance Disclaimer

This information is provided based on reasonable inquiry of our suppliers and represents our current actual knowledge based on the information they provided. This information is subject to change. The part numbers that TE has identified as EU RoHS compliant have a maximum concentration of 0.1% by weight in homogenous materials for lead, hexavalent chromium, mercury, PBB, PBDE, DBP, BBP, DEHP, DIBP, and 0.01% for cadmium, or qualify for an exemption to these limits as defined in the Annexes of Directive 2011/65/EU (RoHS2). Finished electrical and electronic equipment products will be CE marked as required by Directive 2011/65/EU. Components may not be CE marked. Additionally, the part numbers that TE has identified as EU ELV compliant have a maximum concentration of 0.1% by weight in homogenous materials for lead, hexavalent chromium, and mercury, and 0.01% for cadmium, or qualify for an exemption to these limits as defined in the Annexes of Directive 2000/53/EC (ELV). Regarding the REACH Regulation, the information TE provides on SVHC in articles for this part number is based on the latest European Chemicals Agency (ECHA) 'Guidance on requirements for substances in articles' posted at this URL: <https://echa.europa.eu/guidance-documents/guidance-on-reach>

Compatible Parts



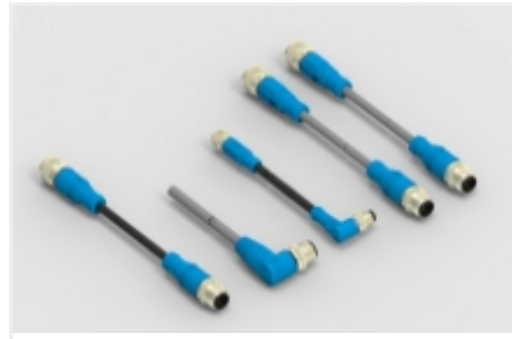
Also in the Series | M12 Connector



Connector Hardware(11)



Connector Seals & Cavity Plugs(4)



M8/M12 Cable Assemblies(230)



Standard Circular Connectors(793)

Customers Also Bought



TE Part #CAT-C73765-M1E
M12 Field Installable Unshielded



TE Part #215083-8
MICRO-MATCH MOW.08P



TE Part #2292799-3
AS16, PLUG BACKSHELL KIT, ST, 04P, NC12



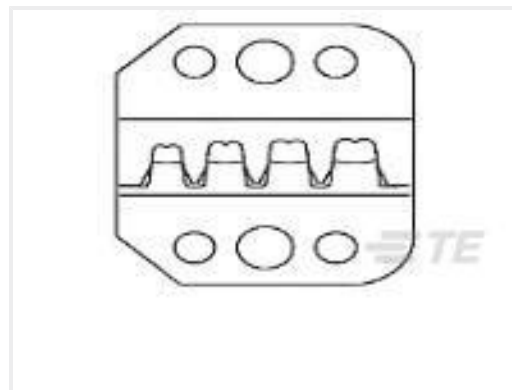
TE Part #T4145035031-001
M12 R/A F PNL STAMPED PIN A-CODE 3P SHLD



TE Part #38941-20L
CONT PIN



TE Part #32952
PG R 22-16 COMM 22-18 MIL 10



TE Part #90759-2
PROCrimp DIE MINI UNIV MNL



TE Part #776492-1
SOC, SF, SIZE 16, 14-18 AWG, AU/SN



TE Part #ASA035N00610235000
623 PLUG

Documents

Product Drawings

[M12 R/A F PNL REAR STAMPED PIN B-CODE 2P](#)

English

CAD Files

[3D PDF](#)

3D

Customer View Model

[ENG_CVM_CVM_T4145415021-001_A.2d_dxf.zip](#)



English

Customer View Model

[ENG_CVM_CVM_T4145415021-001_A.3d_igs.zip](#)

English

Customer View Model

[ENG_CVM_CVM_T4145415021-001_A.3d_stp.zip](#)

English

By downloading the CAD file I accept and agree to the [Terms and Conditions](#) of use.

Datasheets & Catalog Pages

[M8 / M12 Connector System Catalog](#)

English

Product Specifications

[Application Specification](#)

English

Instruction Sheets

[Instruction Sheet \(U.S.\)](#)

English

Agency Approvals

[UL](#)

English