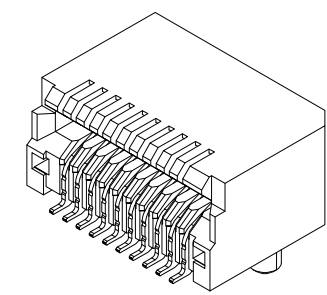
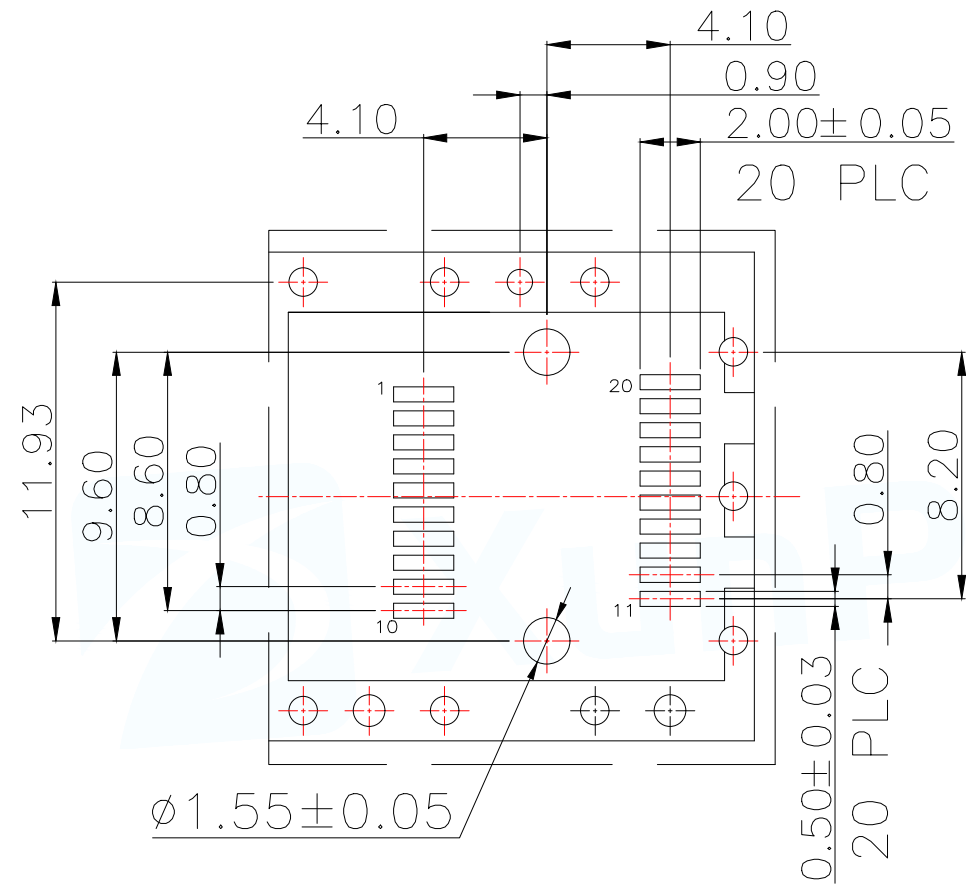


- NOTES:
- MATERIAL
HOUSING: HIGH TEMPERATURE LCP, Black, UL94 V-0
 - CONTACTS: PHOSPHOR BRONZE
PLATING: 15μ * GOLD ON MATING AREA,
GOLD FLASH PLATING ON
SOLDER TAILS. 50μ * NICKEL
UNDERPLATING OVERALL.
 - MECHANICAL REQUIREMENT:
3.1 DURABILITY: 100 CYCLES MIN.
3.2 INSERTION AND EXTRACTION FORCE: 40N MAX. & 11.5N MAX
 - ENVIRONMENTAL:
4.1 CONTACT RESISTANCE: 20 MILLIOHMS MAX INITIAL.
4.2 DIELECTRIC WITHSTANDING VOLTAGE: 300V AC/MIN
4.3 CURRENT RATING: 0.5 Amps Max.
4.4 OPERATION: -40°C TO $+95^{\circ}\text{C}$
4.5 STORAGE: -55°C TO $+105^{\circ}\text{C}$
4.6 REFLOW SOLDERING TEMPERATURE: 255~265* MAXIMUM FOR
5~10 SECONDS
4.9 ROHS COMPLIANT
 - PACKAGING: TAPE AND REEL



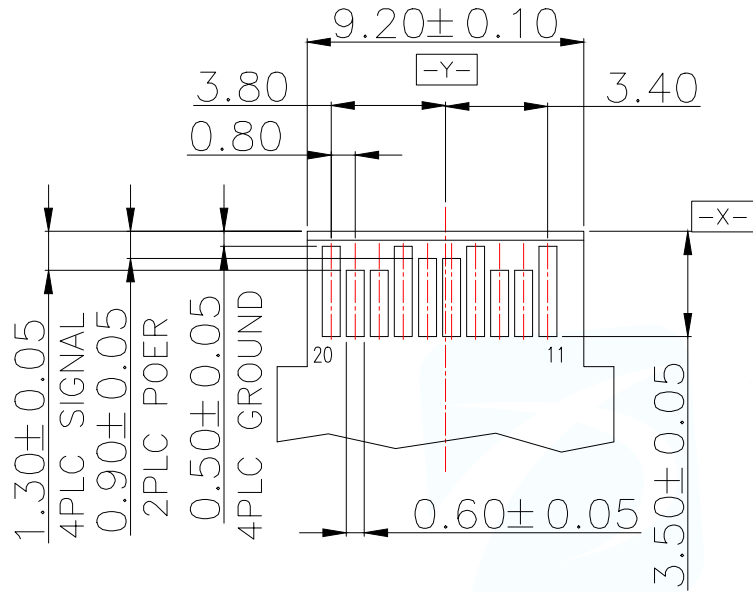
MANUFACTURE DWG		东莞市讯普电子科技有限公司 DongGuan XunPu Electronics Co., Ltd	
UNLESS OTHERWISE SPECIFIED TOLERANCES		TITLE: SFP+ 1X1 CONNECTOR	
		PAR	SFP-20PIN-15U
DECIMALS:	ANGLES:	DWN	
X.X \pm 0.30	X. $^{\circ}$ \pm 5 $^{\circ}$	CHKD	
X.XX \pm 0.25	X.X $^{\circ}$ \pm 1 $^{\circ}$	APVD	
X.XXX \pm 0.15		SCALE N:A	UNIT:MM
CUSTOMER COPY		SIZE:A4	SHEET:1F1
			REV:A



PCB.WELDING DRAWING (TOLERANCE:±0.05)

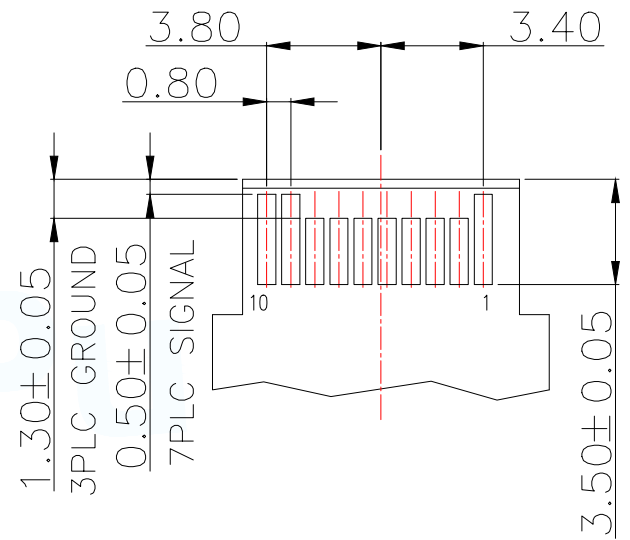
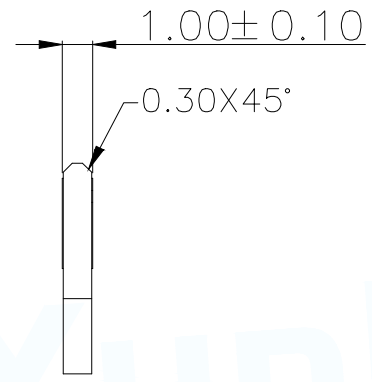
MANUFACTURE DWG		 东莞市讯普电子科技有限公司 DongGuan XunPu Electronics Co.,Ltd	
UNLESS OTHERWISE SPECIFIED TOLERANCES			TITLE: SFP+ 1X1CONNECTOR
			PAR SFP-20PIN-15U
DECIMALS:	ANGLES:		DWN
X.X±0.30	X.*±5°		CHKD
X.XX±0.25	X.X*±1°	APVD	
X.XXX±0.15		SCALE N:A	UNIT:MM
		CUSTOMER COPY	SIZE:A4
			SHEET:1F1
			REV:A

12	13	14	15
MAPX	MODIFICATION	DATE	APPROVE



⌀ 0.10 X Y
20PLC

TOP VIEW OF BOARD



BOTTOM VIEW OF BOARD

RECOMMENDED LAYOUT DETAIL MATING TRANSCEIVER PCB

MANUFACTURE DWG		 东莞市讯普电子科技有限公司 DongGuan XunPu Electronics Co.,Ltd	
UNLESS OTHERWISE SPECIFIED TOLERANCES			TITLE: SFP+ 1X1CONNECTOR
			PAR SFP-20PIN-15U
			DWN
			CHKD
DECIMALS:	ANGLES:	APVD	
X.X±0.30	X.*±5°	SCALE N:A	UNIT:MM
X.XX±0.25	X.X*±1°	SIZE:A4	SHEET:1F1
X.XXX±0.15		CUSTOMER COPY	REV:A