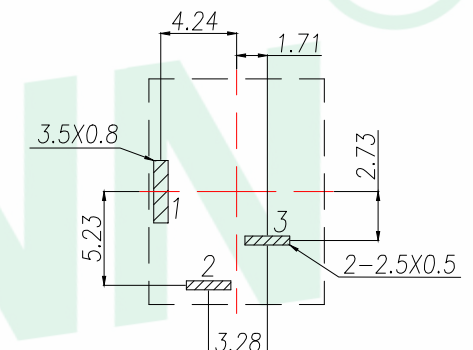
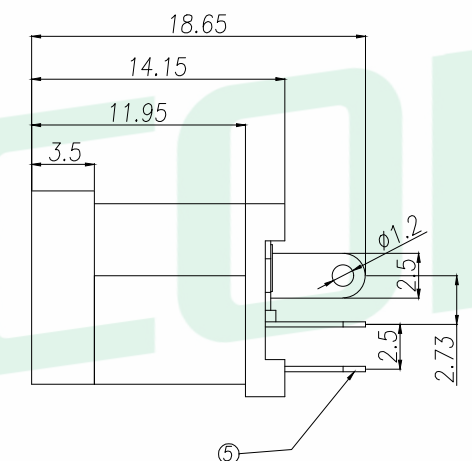
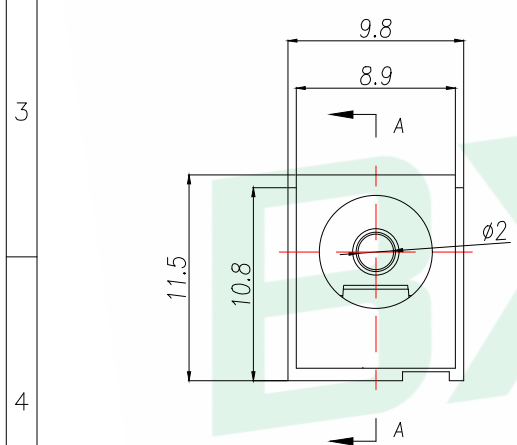
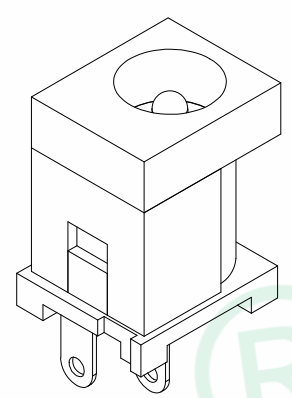
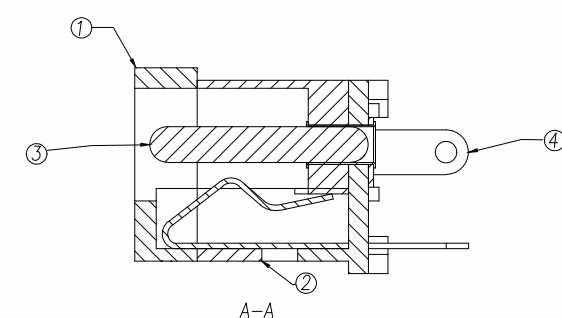
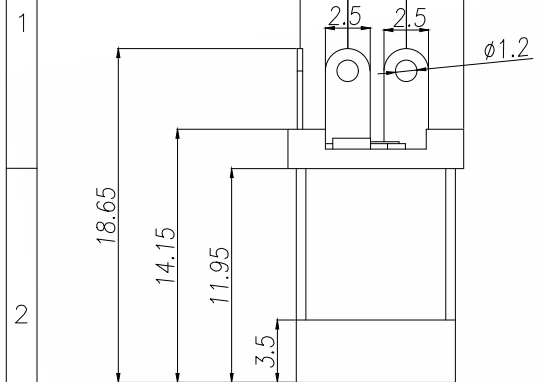


REV.	DESCRIPTION	ECN NO.	NAME	DATE

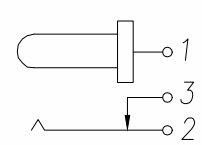


PCB.WELDING DRAWING (TOLERANCE:±0.05)

6	弹片	1	H65	镀银
5	插片	1	H62	镀银
4	平片	1	H62	镀银
3	中心针	1	H62	铜锡
2	盖板	1	PPA	黑
1	基座	1	PPA	黑
序号	名称	数量	材料	备注

Main technical performance

Rated electrical load	DC 24V 2.5A
Contact resistance	≤30mΩ
Insulation resistance	≥100MΩ
Pressure resistance	AC 500V 1min
Insertion force	3-30N
Operating temperature range	-20℃~+70℃
service life	5000cycles



SCHEMATIC

GENERAL TOLERANCE		DONGGUAN BAOXUN PRECISION TECHNOLOGY CO., LTD				
DIM.	TOL.	TITLE: DC SOCKET				
x.	±0.50	DWG. NO.: DC-012A-20-Z		CHECKED: MAX		
x.x	±0.25	PART NO.: DC-012A-20-Z		DRAWN: ELLA		
x.xxx	±0.15	UNIT: mm		APPROVED: WILL		
GENERAL ANGLE:		SCALE: none	SHEET: 1 of 1	DWG. SIZE: A4	LAYER: bxconn	
x'.	±5°					
x.x'	±1°					