

# Actuator

71-612.0



<https://eao.com/p/71-612.0>

Your product:

---



## 71-612.0 Actuator

### OPERATING-/INDICATION PART

**Lens illumination:** illuminative

### ELECTRICAL CHARACTERISTICS

**Switching voltage and switching current:**

Switch rating AC $\cos\phi$ 0,7 ... 0,8 gemäss EN IEC 60947-5-1		
Voltage	250 VAC	
Current	3 A	
Switch rating DC gemäss EN IEC 60947-5-1		
Voltage	24 VDC	250 VDC
Current	3 A	0.5 A

**Surge voltage resistance:** 2500 VAC, 50 Hz, 1 minute, as per DIN / IEC 60512-2 between all terminals and earth

**Recommended minimum operational data:**

Voltage	5 VAC/DC
Current	10 mA

### MECHANICAL CHARACTERISTIC

**Operating Travel:** ca. 3 mm

**Mechanical lifetime:** 1 Mio. cycles of operation

**Operating force:** 3 N ... 7 N

**Tightening torque:** Fixing nut max. 0.5 Nm

**Switching action:** Maintained

**Weight:** 0.005 kg

**Switching system:** Self-cleaning, double-break snap action switching system, 1 normally closed and 1 normally open contact per element.

### AMBIENT CONDITION

**Operating temperature:** - 25 °C ... + 55 °C

<b>Vibration resistance:</b>	Max. 100 m / s <sup>2</sup> from 10 Hz ... 500 Hz, (sinusoidal EN IEC 60068-2-6)
<b>IP Protection:</b>	IP65 front side
<b>Storage temperature:</b>	- 40 °C ... + 85 °C
<b>Shock resistance:</b>	Max. 500 m/s <sup>2</sup> , pulse width, 3-axis (sinusoidal EN IEC 60068-2-27)
<b>Climate resistance:</b>	Damp heat, steady: 56 days, + 40 °C/93 % relative humidity, according to EN IEC 60068-2-78

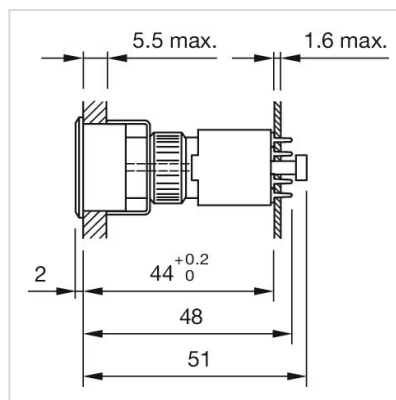
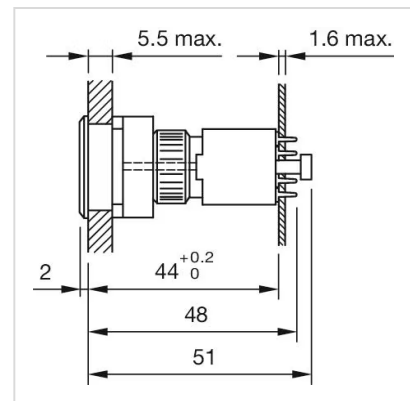
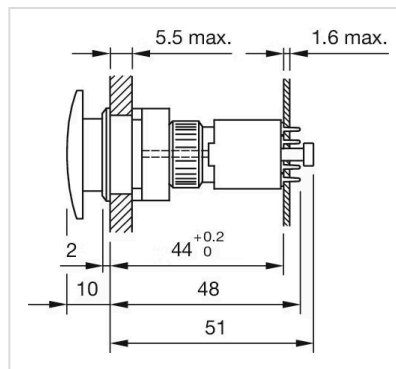
## CERTIFICATE

**Conformities:** CE, UKCA, 2011 / 65 / EC (RoHS), 2014 / 35 / EU (LVD)

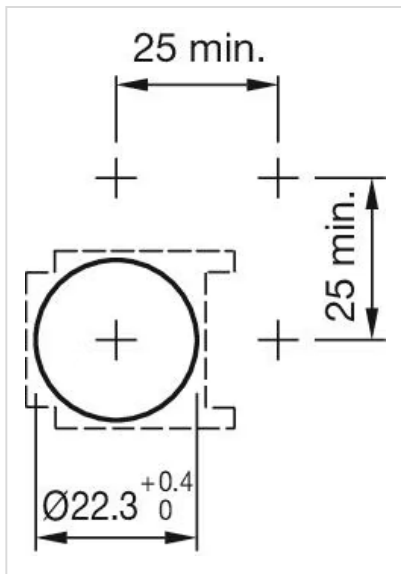
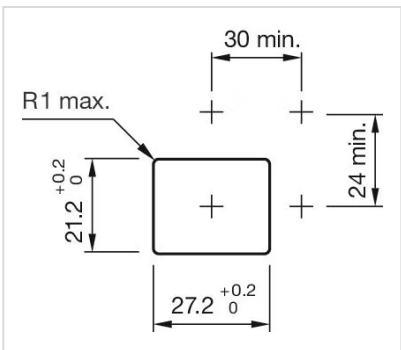
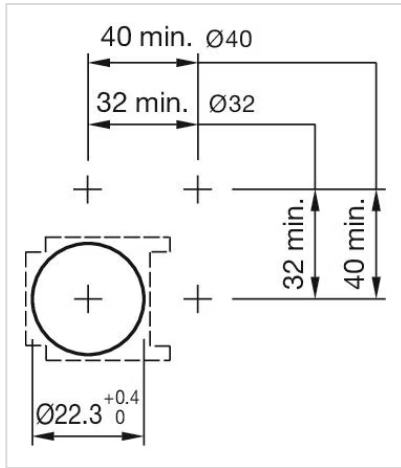
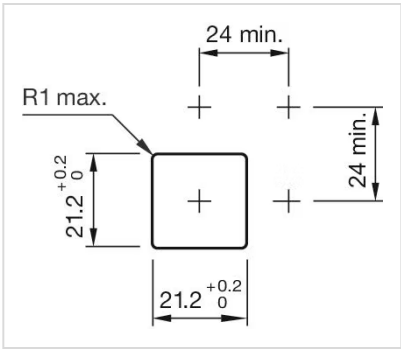
## OTHER

<b>Housing colour:</b>	Black
<b>Short Description:</b>	Actuator, illuminative, Maintained
<b>Hints:</b>	Pitch of the front plate mounting holes must agree with the printed circuit board holes Ø 3.5 mm
<b>Housing material:</b>	Plastic, according to UL 94 V0

## Dimension drawings:



## Mounting cut-outs:



Wiring diagrams:

