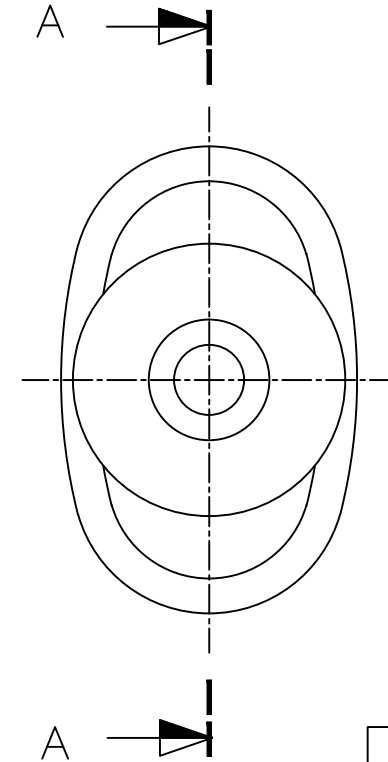
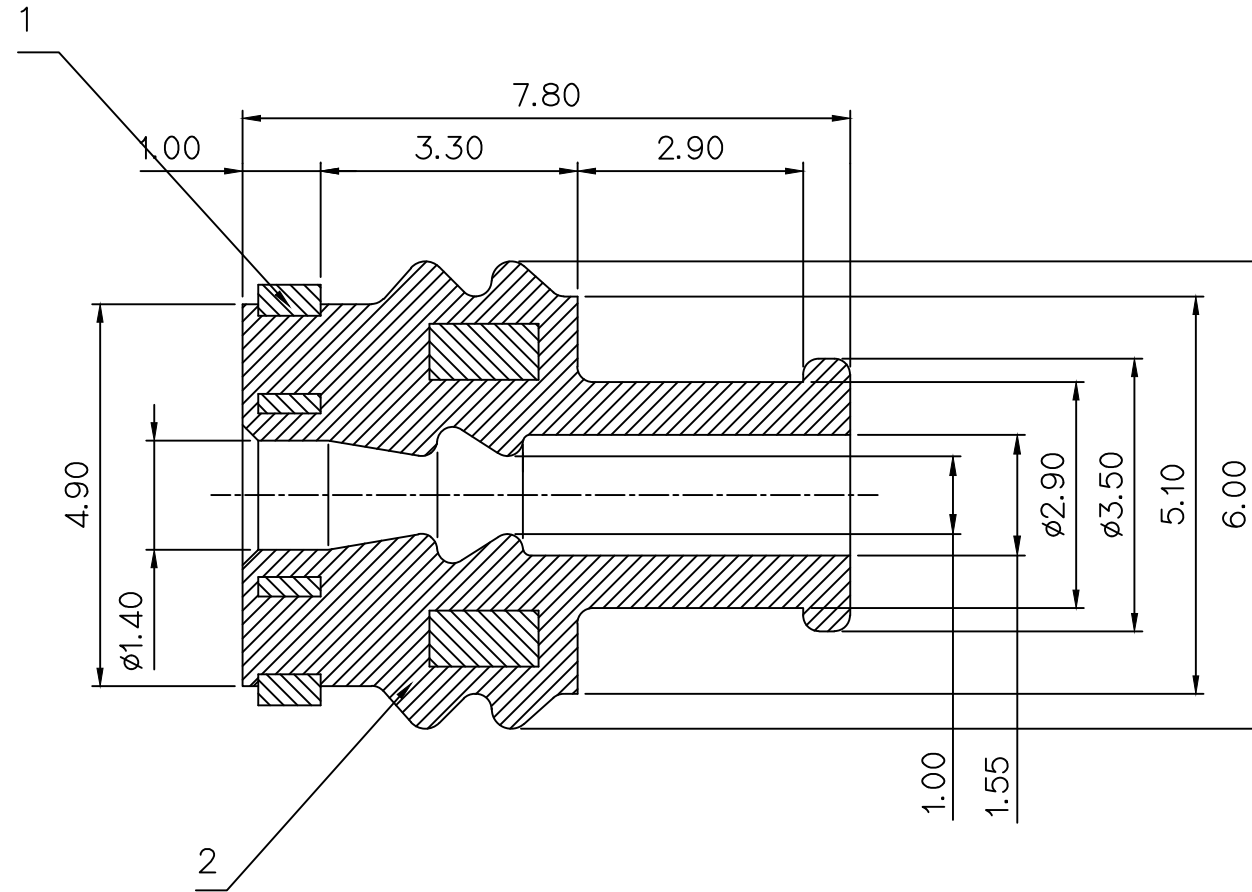
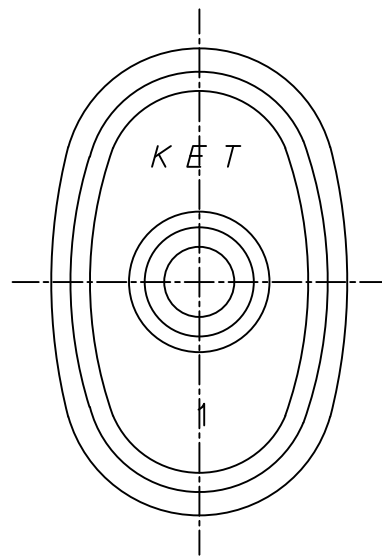
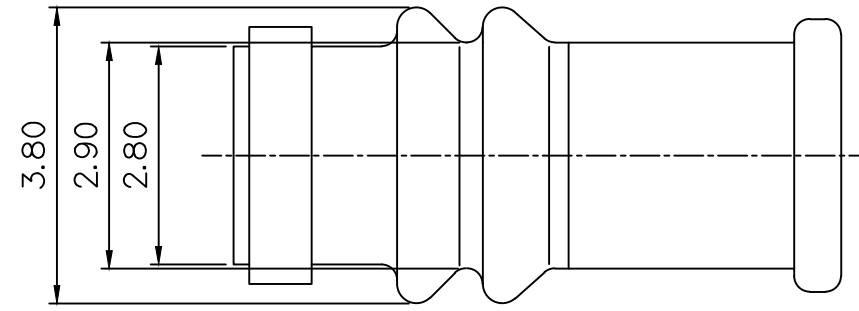


적용전선 (mm ²)	CAVS 0.3 CAVS 0.5
----------------------------	----------------------



SECTION A-A

NOTE

- 기능상 유해한 BURR, 변형등이 없을것.
- 본 부품은 SSD CONNECTOR SERIES 적용제품임.

ISSUE MARK

ASS'Y 품 번	NO.	PART NAME	PART NO.	MATERIAL	FINISH
MG680713	1	REAR STOPPER	MG670716	PBT	BROWN
	2	SEAL RUBBER		SILICONE (합 유)	RED

		MATERIAL SEE TABLE		KET KOREA ELECTRIC TERMINAL CO., LTD.
		FINISH SEE TABLE		
		WIRE RANGE		CLASS
		INSULATION		TYPE
LTR	REVISION RECORD	DR.	DATE	TOLERANCE EXCEPT AS NOTED ±0.20
DR. JANG	97.12.07	CHK.		SCALE 10/1
CHK.		APP.		PART NO. MG680713
				PART NAME SSD WIRE SEAL(S)