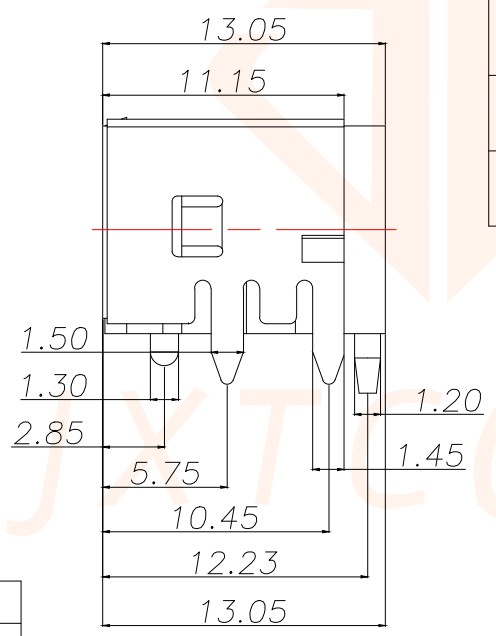
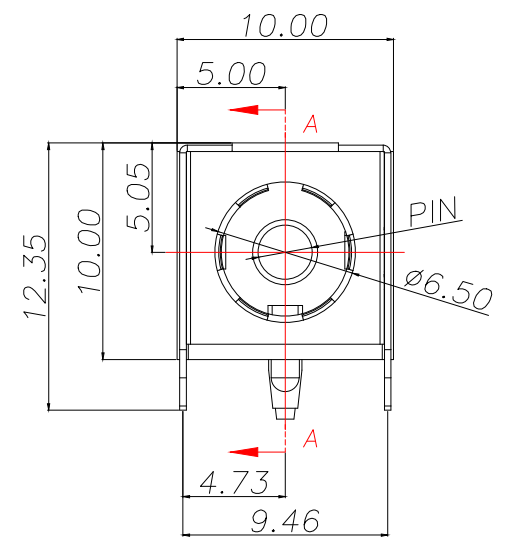
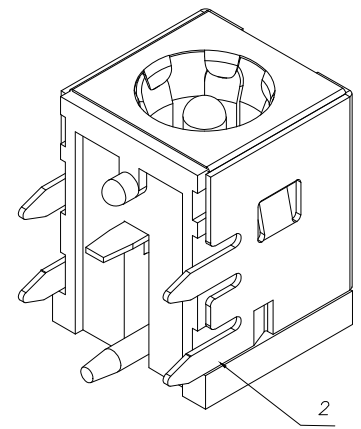
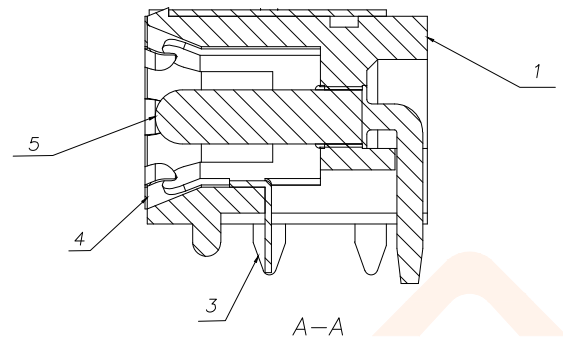
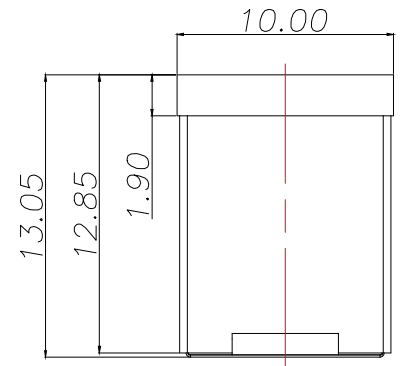
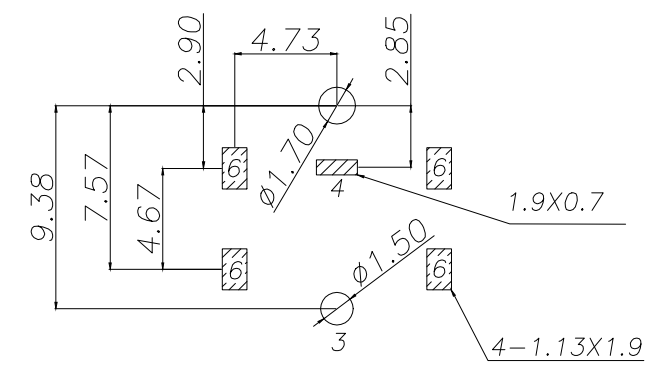




REV.	ECN NO.	DESCRIPTION	DATE	DESIGN

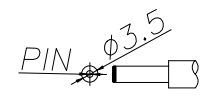


PIN	P/N
∅2.0	DC-077B-20C
∅2.5	DC-077B-25C

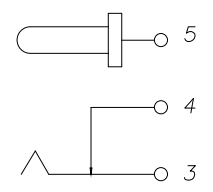


PCB.WELDING DRAWING (TOLERANCE:±0.05)

Main technical performance	
Rated electrical load	DC 24V 8A
Contact resistance	≤0.03Ω
Insulation resistance	≥100MΩ DC250V
Pressure resistance	AC 500V 1min
Insertion force	3-30N
Operating temperature range	-40℃~+85℃
service life	5000cycles



RECOMMEND PULG



SCHEMATIC

序号	名称	数量	材料	备注
5	圆针	1	黄铜棒	镀银
4	盖片	1	H62黄铜带(Y)	镀银
3	簧片	1	磷铜带	铜锡
2	屏蔽罩	1	H62黄铜带(Y)	黑
1	底座	1	PPA	黑

TOLERANCE		深圳聚兴泰电子科技有限公司 Shenzhen Juxingtai Electronic Technology Co., Ltd		
X.:±0.30	X':±5'	PART NO.	TITLE:	
X.X:±0.25	X.X':±1'	DC-077B-NC	DC SOCKET	
X.XX:±0.15		DESIGN: Ethan	MANUFACTURE DWG	
UNITS	mm	CHED: Olvia	SCALE N/A SHEET 1/1	
MATERILA	---	APPD: Ava		
FINISH	---			