



# microSD3.0 UHS-I Specification

NOTE: INFORMATION IN THIS PRODUCT SPECIFICATION IS SUBJECT TO CHANGE AT ANYTIME WITHOUT NOTICE, ALL PRODUCT SPECIFICATIONS ARE PROVIDED FOR REFERENCE ONLY. TO ANY INTELLECTUAL, PROPERTY RIGHTS IN MK Founder CO., LTD. ALL INFORMATION IN THIS DOCUMENT IS PROVIDED.

## Revision History:

| <b>Rev.</b> | <b>Date</b> | <b>Changes</b>              | <b>Remark</b> |
|-------------|-------------|-----------------------------|---------------|
| 1.0         | 2017/12/16  | Basic spec and architecture | Preliminary   |



## CONTENTS

|   |    |
|---|----|
| <b>1. Overview</b> .....  | 1  |
| 1.1 Product Description .....   | 1  |
| 1.2 Features Summary.....   | 1  |
| <b>2. Pin Assignment</b> .....  | 2  |
| <b>3. Product List</b> .....  | 3  |
| <b>4. Current Consumption</b> .....                                       | 4  |
| <b>5. Reliability and Durability</b> .....                                | 4  |
| <b>6. SD Card Registers</b> .....   | 4  |
| 6.1 Card Identification Register (CID).....                               | 4  |
| 6.2 Card Specific Data Register (CSD) .....                               | 5  |
| <b>7. Bus Operation Conditions</b> .....                                  | 6  |
| 7.1 For 3.3V Signaling .....  | 6  |
| 7.1.1 Threshold Level for High Voltage Range.....                         | 6  |
| 7.1.2 Peak Voltage and Leakage Current.....                               | 6  |
| 7.1.3 Bus Signal Line Load.....   | 6  |
| 7.1.4 Bus Signal Levels .....   | 7  |
| 7.1.5 Bus Timing(Default).....  | 7  |
| 7.1.6 Bus Timing(High-Speed Mode) .....                                   | 9  |
| 7.2 For 1.8V Signaling .....  | 10 |
| 7.2.1 Threshold Level for High Voltage Range.....                         | 10 |
| 7.2.2 Peak Voltage and Leakage Current.....                               | 10 |
| 7.2.3 Bus Timing Specification in SDR12, SDR25, SDR50 and SDR104 Modes .  | 10 |
| 7.2.3.1 Clock Timing .....  | 10 |
| 7.2.3.2 Card Input Timing .....   | 11 |
| 7.2.3.3 Card Output Timing .....  | 11 |
| 7.2.3.3.1 Output Timing of Fixed Data Window (SDR12, SDR25 and SDR50) ... | 11 |
| 7.2.3.3.2 Output Timing of Variable Window (SDR104) .....                 | 12 |
| <b>8. Physical Dimension</b> .....  | 12 |



## 1. Overview

### 1.1 Product Description

The microSD3.0 Cards are fully compatible with Physical Layer Specification, Version 3.0 (this specification is available from the SDA), support Ultra High Speed(UHS), provides high write/read speed and high IOPS, It was designed to meet the security, high capacity, high performance and environmental requirements inherent in next generation consumer electronic devices.

The SD card system is a new mass-storage system based on innovations in semiconductor technology. It has been developed to provide an inexpensive, mechanically robust storage medium in card form for multimedia consumer applications. SD card allows the design of inexpensive players and drivers without moving parts. A low power consumption and a wide supply voltage range favors consumer electronic devices.

Ultra High Speed (UHS) Card

It provides up to 104MB/s\* performance. UHS cards are backward compatible on non-UHS hosts.

\*Based on internal testing; performance may vary depending upon host device.

1 megabyte (MB) =1,000,000bytes.

### 1.2 Features Summary

-Capacity: 4GB/8GB/16GB/32GB/64GB/128GB

-Complies to SD specifications version 3.0

-Voltage operating: 2.7~3.6V.

-Targeted for portable and stationary applications

-Greater Performance Choices

-Bus Speed Mode:

DS-Default Speed mode: 3.3V signaling, frequency up to 25MHz, up to 12.5MB/sec

HS-High Speed mode: 3.3V signaling, frequency up to 50MHz, up to 25MB/sec

SDR12-1.8V signaling, frequency up to 25MHz, up to 12.5MB/sec

SDR25-1.8V signaling, frequency up to 50MHz, up to 25MB/sec

SDR50-1.8V signaling, frequency up to 100MHz, up to 50MB/sec

SDR104-1.8V signaling, frequency up to 208MHz, up to 104MB/sec

DDR50-1.8V signaling, frequency up to 50MHz, sampled on both clock edges, up to 50MB/s

-Switch function command supports Bus Speed Mode, Command System, Drive Strength, and future functions.

-password protection (CMD42-LOCK\_UNLOCK)

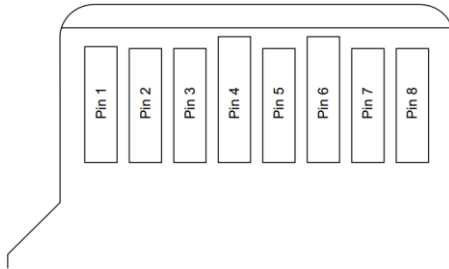
-Sophisticated system for error recovery including a powerful ECC

-Global Wear Leveling

-Power management for low power operation

-Add TF card adapter can be used in SD card socket

## 2. Pin Assignment



| Pin No. | SD Mode |        |                                    | SPI Mode |      |                       |
|---------|---------|--------|------------------------------------|----------|------|-----------------------|
|         | Name    | Type   | Description                        | Name     | Type | Description           |
| 1       | Dat2    | I/O/PP | Data Line [Bit 2]                  | RSV      |      | Reserved              |
| 2       | CD/DAT3 | I/O/PP | Card Detect /<br>Data Line [Bit 3] | CS       | I    | Chip Select           |
| 3       | CMD     | PP     | Command/Response                   | DI       | I    | Data In               |
| 4       | VDD     | S      | Supply voltage                     | VDD      | S    | Supply voltage        |
| 5       | CLK     | I      | Clock                              | SCLK     | I    | Clock                 |
| 6       | VSS     | S      | Supply voltage ground              | VSS      | S    | Supply voltage ground |
| 7       | DAT0    | I/O/PP | Data Line [Bit 0]                  | DO       | O/PP | Data Out              |
| 8       | DAT1    | I/O/PP | Data Line [Bit 1]                  | RSV      |      | Reserved              |

S: power supply; I: input; O: output; PP: I/O using push-pull drivers

**Table 1: Pin Assignment**



### 3. Product List

| Part Number       | Capacity | Actual Size | Speed Class (Note1) | UHS-I (Note1) | Type |
|-------------------|----------|-------------|---------------------|---------------|------|
| SDSDQAB-004G-MK-A | 4GB      | 3.62GB      | C10,U1,V10          | SDR104        | SDHC |
| SDSDQAB-008G-MK-A | 8GB      | 7.24GB      | C10,U1,V10          | SDR104        | SDHC |
| SDSDQAD-016G-MK-A | 16GB     | 14.75GB     | C10,U1,V10,A1       | SDR104        | SDHC |
| SDSDQAD-032G-MK-A | 32GB     | 29.12GB     | C10,U1,V10,A1       | SDR104        | SDHC |
| SDSDQAD-064G-MK-A | 64GB     | 58.24GB     | C10,U1,V10,A1       | SDR104        | SDHC |
| SDSDQAD-128G-MK-A | 128GB    | 116.48GB    | C10,U1,V10,A1       | SDR104        | SDHC |

**Table 2: Product List**

**Note1:** \*Measurement based on VTE3100 Test Matrix device, SW 3.2A software or up version.

Test scripts:

SD\_Card(Spec3.0\_High&Extended-Capacity\_UHS-I and Non-UHS-I)\_Compliance [rev31R].vte

SDR104@SDR104-208MHz.

SD\_Card (Spec2.0-3.0 High&Extended-Capacity\_UHS-I) Performance-Speed (Multiple Block Sequential) [rev31M] - SDR104-With Background Data.vte]

*\*Maximum speed differs from the bus I/F speed. It varies depending upon the card performance. The average speed that a device writes to an SD memory card may vary depending upon the device and the operation it is performing. Normal and high-speed cards can also be used with UHS-I host devices, but the high performance enabled by a UHS-I host device can only be achieved with a UHS- I memory card.*



## 4. Current Consumption

Standby current: 500uA (Maximum value)

Standby current: 250uA (average value)

Operating current: 250mA (Maximum value)

Operating current: 150mA (average value)

\*Test condition: Realtek5308 card reader (Voltage 3.3V), Fluke289C multi-meter.

## 5. Reliability and Durability

|                                      |  |
|--------------------------------------|--|
| <b>Temperature</b>                   | Operation: -25°C/85°C<br>Storage: -25°C/85°C   |
| <b>Moisture and corrosion</b>        | Operation: 25°C/95% rel. humidity<br>Storage: 40°C/93% rel. hum./500h<br>Salt Water Spray: 3% NaCl/35C; 24h acc. MIL STD Method 1009 |
| <b>Durability</b>                    | 10,000 insertion/removal cycles;   |
| <b>Bending</b>                       | 10[N] Center 200[mm/minute] 60[sec]  |
| <b>Torque</b>                        | 0.10Nm, +/-2.5 deg.max.  |
| <b>Drop test</b>                     | 1.5m free fall   |
| <b>Electrostatic Discharge (ESD)</b> | IEC 61000-4-2 contact discharge: +/- 2[kV] and +/- 4[kV]<br>150[pF],330[Ohm]<br>air discharge: up to +/- 15[kV] 150[pF], 330[Ohm]    |

**Table 3: Reliability and Durability**

## 6. SD Card Registers

### 6.1 Card Identification Register (CID)

The Card Identification (CID) register is 128 bit wide. It contains the card identification information used during the card identification phase. Every individual flash card shall have a unique identification number.

The structure of the CID register is defined in the following table.

| <b>CID Bit</b> | <b>Width</b> | <b>Name</b>           | <b>Field</b> |
|----------------|--------------|-----------------------|--------------|
| [127:120]      | 8            | Manufacture ID        | MID          |
| [119:104]      | 16           | OEM/Application ID    | OID          |
| [103:64]       | 40           | Product Name          | PNM          |
| [63:56]        | 8            | Product Revision      | PRV          |
| [55:24]        | 32           | Product Serial Number | PSN          |
| [23:20]        | 4            | Reserved              | ---          |
| [19:8]         | 12           | Manufacturing Date    | MDT          |
| [7:1]          | 7            | CRC7 check sum        | CRC          |
| [0]            | 1            | Not used,always"1     | ---          |

**Table 4: SD Card CID Table**

- All contents in the CID table are programmable; Manufacturers can update the CID data through utility.
- Manufacturers should license MID and OID field form the SD Card Association(SDA)



## 6.2 Card Specific Data Register (CSD)

The Card-Specific Data register provides information regarding access to the card contents. The CSD defines the data format, error correction type, maximum data access time, whether the DSR register can be used, etc. The programmable part of the register (entries marked by W or E, see below) can be changed by CMD27. The CSD Table Version 2.0(as shown below) is applied to SDHC and SDXC Cards. Note that bits [15:0] are programmable by the host side. Refer to the SD specification for detailed information

| CSD Bit   | Width | Name  | Field                | Value                        | Note             |
|-----------|-------|---|----------------------|------------------------------|------------------|
| [127:126] | 2     | CSD structure                                 | CSD_STRUCTURE        | 01b                          | V2.0(>2G B Card) |
| [125:120] | 6     | Reserved                                      | ---                  | ---                          | ---              |
| [119:112] | 8     | Data read access-time 1                       | (TAAC)               | 0E h                         |                  |
| [111:104] | 8     | Data read access-time2 in CLK cycles(NSA*100) | (NSAC)               | 00 h                         |                  |
| [103:96]  | 8     | Max data transfer rate                        | (TRAN_SPEED)         | 32 h<br>5A h<br>0B h<br>2B h |                  |
| [95:84]   | 12    | Card command classes                          | CCC                  | 5B5 h                        |                  |
| [83:80]   | 4     | Max. read data block length                   | (READ_BLK_LEN)       | 9 h                          | 512 Byte         |
| [79]      | 1     | Partial block read allowed                    | (READ_BLK_PARTIAL)   | 0                            |                  |
| [78]      | 1     | Write block misalignment                      | (WRITE_BLK_MISALIGN) | 0                            |                  |
| [77]      | 1     | Read block misalignment                       | (READ_BLK_MISALIGN)  | 0                            |                  |
| [76]      | 1     | DSR implemented                               | DSR_IMP              | x                            |                  |
| [75:70]   | 6     | Reserve                                       | ---                  | ---                          |                  |
| [69:48]   | 22    | Device size                                   | C_SIZE               | xxxxxxh                      |                  |
| [47]      | 1     | Reserved                                      | ---                  | 0                            |                  |
| [46]      | 1     | Erase single block enable                     | (ERASE_BLK_EN)       | 1                            |                  |
| [45:39]   | 7     | Erase sector size                             | (SECTOR_SIZE)        | 7F h                         |                  |
| [38:32]   | 7     | Write protect group size                      | C_SIZE               | 0 b                          |                  |
| [31]      | 1     | Write protect group enable                    | ---                  | 0                            |                  |
| [30:29]   | 2     | Reserved                                      | (ERASE_BLK_EN)       | 0 b                          |                  |
| [28:26]   | 3     | Write speed factor                            | (SECTOR_SIZE)        | 010 b                        |                  |
| [25:22]   | 4     | Max. write data block length                  | (WP_GRP_SIZE)        | 9 h                          |                  |
| [21]      | 1     | Partial block write allowed                   | (WP_GRP_ENABLE)      | 0                            |                  |
| [20:16]   | 5     | Reserved                                      | ---                  | ---                          |                  |
| [15]      | 1     | File format group                             | (FILE_FORMAT_GRP)    | 0                            |                  |
| [14]      | 1     | Copy flag                                     | COPY                 | x                            |                  |
| [13]      | 1     | Permanent write protection                    | PERM_WRITE_PROTECT   | x                            |                  |
| [12]      | 1     | Temporary write protection                    | TMP_WRITE_PROTECT    | x                            |                  |
| [11:10]   | 2     | File format                                   | (FILE_FORMAT)        | 00 b                         |                  |
| [9:8]     | 2     | Reserved                                      | ---                  | 00 b                         |                  |
| [7:1]     | 7     | CRC   | CRC                  | ---                          |                  |
| [0]       | 1     | Not used,always'1'                            | ---                  | 1                            |                  |



**Table 5: CSD (Version 2.0) Table**

## 7. Bus Operation Conditions

### 7.1 For 3.3V Signaling

#### 7.1.1 Threshold Level for High Voltage Range

| Parameter           | Symbol   | Min              | Max              | Unit | Remark                     |
|---------------------|----------|------------------|------------------|------|----------------------------|
| Supply Voltage      | $V_{DD}$ | 2.7              | 3.6              | V    |                            |
| Output High Voltage | $V_{OH}$ | $0.75 * V_{DD}$  |                  | V    | $I_{OH}=2mA$ $V_{DD\ min}$ |
| Output Low Voltage  | $V_{OL}$ |                  | $0.125 * V_{DD}$ | V    | $I_{OL}=2mA$ $V_{DD\ min}$ |
| Input High Voltage  | $V_{IH}$ | $0.625 * V_{DD}$ | $V_{SS}+0.3$     | V    |                            |
| Input Low Voltage   | $V_{IL}$ | $V_{SS}-0.3$     | $0.25 * V_{DD}$  | V    |                            |
| Power Up Time       |          |                  | 250              | ms   | From 0V to $V_{DD\ min}$   |

**Table 6: Threshold Level for High Voltage**

#### 7.1.2 Peak Voltage and Leakage Current

| Parameter                 | Symbol | Min  | Max          | Unit | Remark |
|---------------------------|--------|------|--------------|------|--------|
| Peak voltage on all lines |        | -0.3 | $V_{DD}+0.3$ | V    |        |
| All Inputs                |        |      |              |      |        |
| Input Leakage Current     |        | -10  | 10           | uA   |        |
| All Outputs               |        |      |              |      |        |
| Output Leakage Current    |        | -10  | 10           | uA   |        |

**Table 7: Peak Voltage and Leakage Current**

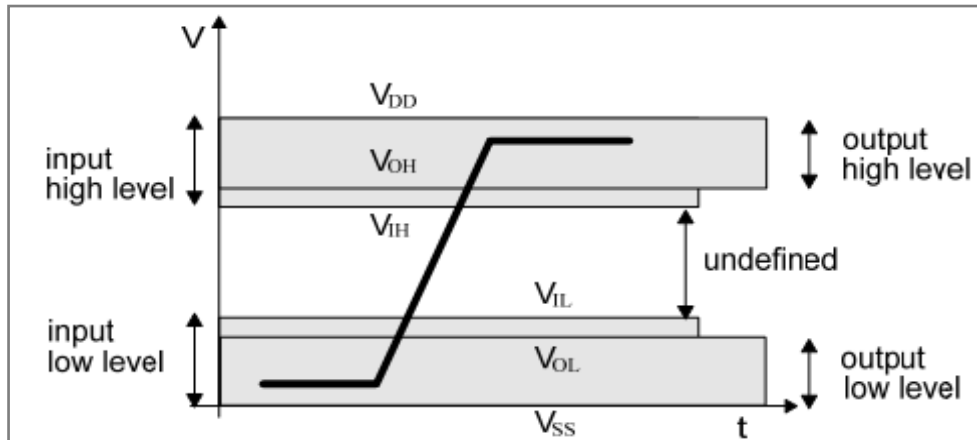
#### 7.1.3 Bus Signal Line Load

| Parameter                                  | Symbol                 | Min | Max | Unit      | Remark  |
|--|------------------------|-----|-----|-----------|---|
| Pull-up resistance                         | $R_{CMD}$<br>$R_{DAT}$ | 10  | 100 | $K\Omega$ | To prevent bus floating                         |
| Total bus capacitance for each signal line | $C_L$                  |     | 40  | pF        | 1 card $C_{HOST}+C_{BUS}$ shall not exceed 30pF |
| Card capacitance for each signal pin       | $C_{CARD}$             |     | 10  | pF        |   |
| Maximum signal inductance                  |                        |     | 16  | nH        |   |
| Pull-up resistance inside card(pin1)       | $R_{DAT3}$             | 10  | 90  | $K\Omega$ | May be used for card detection                  |
| Capacity Connected to Power Line           | $C_C$                  |     | 5   | uF        | To prevent inrush current                       |

**Table 8: Bus Operating Conditions - Signal Line's Load**

### 7.1.4 Bus Signal Levels

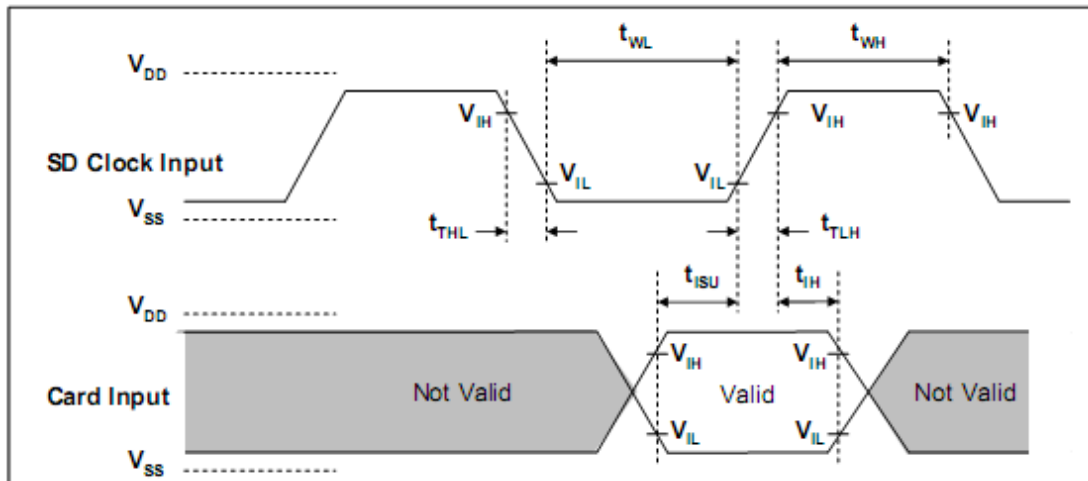
As the bus can be supplied with a variable supply voltage, all signal levels are related to the supply voltage.



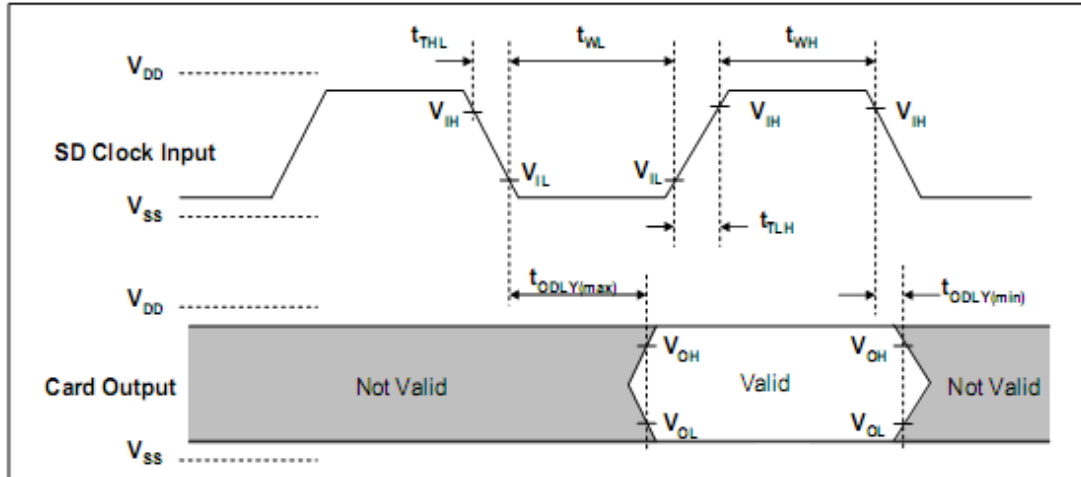
**Figure 1: Bus Signal Levels**

To meet the requirements of the JEDEC specification JESD8-1A and JESD8-7, the card input and output voltages shall be within the specified ranges shown in Table 6-2 for any VDD of the allowed voltage range:

### 7.1.5 Bus Timing (Default)



**Figure 2: Card input Timing (Default Speed Card)**



**Figure 3: Card Output Timing (Default Speed Mode)**

(1) 0 Hz means to stop the clock. The given minimum frequency range is for cases where continuous

| Parameter   | Symbol            | Min.                  | Max | Unit | Remark                            |
|---|-------------------|-----------------------|-----|------|-----------------------------------|
| <b>Clock CLK</b> (All values are referred to min ( $V_{IH}$ ) and max ( $V_{IL}$ )) |                   |                       |     |      |                                   |
| Clock frequency data transfer Mode  | f <sub>pp</sub>   | 0                     | 25  | MHz  | C <sub>CARD</sub> ≤ 10pF (1 card) |
| Clock frequency Identification Mode   | f <sub>OD</sub>   | 0 <sup>(1)</sup> /100 | 400 | KHz  | C <sub>CARD</sub> ≤ 10pF (1 card) |
| Clock low time  | t <sub>WL</sub>   | 10                    |     | ns   | C <sub>CARD</sub> ≤ 10pF (1 card) |
| Clock high time   | t <sub>WH</sub>   | 10                    |     | ns   | C <sub>CARD</sub> ≤ 10pF (1 card) |
| Clock rise time   | t <sub>TLH</sub>  |                       | 10  | ns   | C <sub>CARD</sub> ≤ 10pF (1 card) |
| Clock fall time   | t <sub>THL</sub>  |                       | 10  | ns   | C <sub>CARD</sub> ≤ 10pF (1 card) |
| <b>Inputs CMD, DAT</b> (referenced to CLK)  |                   |                       |     |      |                                   |
| Input set-up time   | t <sub>ISU</sub>  | 5                     |     | ns   | C <sub>CARD</sub> ≤ 10pF (1 card) |
| Input hold time   | t <sub>IH</sub>   | 5                     |     | ns   | C <sub>CARD</sub> ≤ 10pF (1 card) |
| <b>Outputs CMD, DAT</b> (referenced to CLK)   |                   |                       |     |      |                                   |
| Output Delay time during Data Transfer Mode   | t <sub>ODLY</sub> | 0                     | 14  | ns   | C <sub>L</sub> ≤ 40pF (1 card)    |
| Output Hold time  | t <sub>OH</sub>   | 0                     | 50  | ns   | C <sub>L</sub> ≤ 40pF (1 card)    |

clock is required (refer to Chapter 4.4-Clock Control)

**Table 9: Bus Timing-Parameters Values (Default Speed)**

### 7.1.6 Bus Timing (High-Speed Mode)

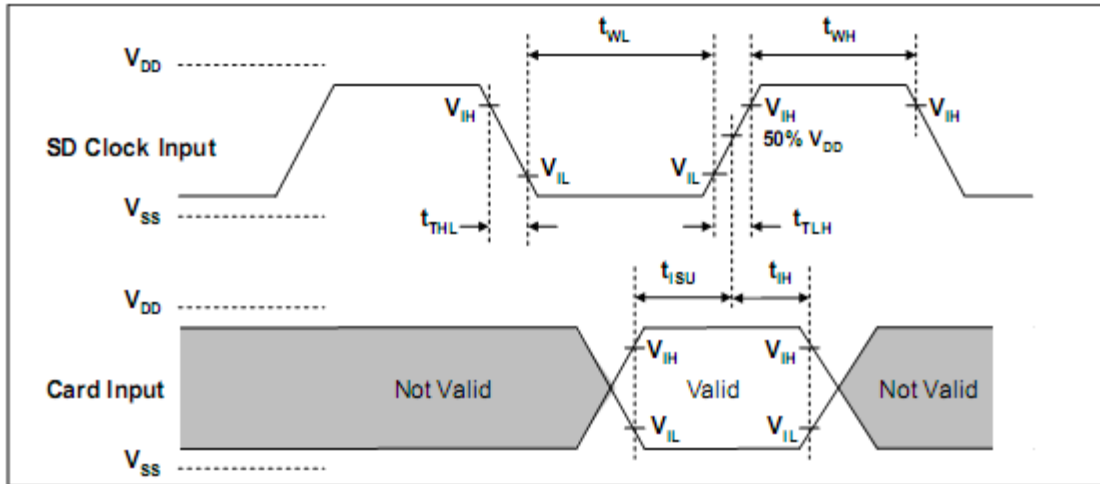


Figure 4: Card Input Timing (High Speed Card)

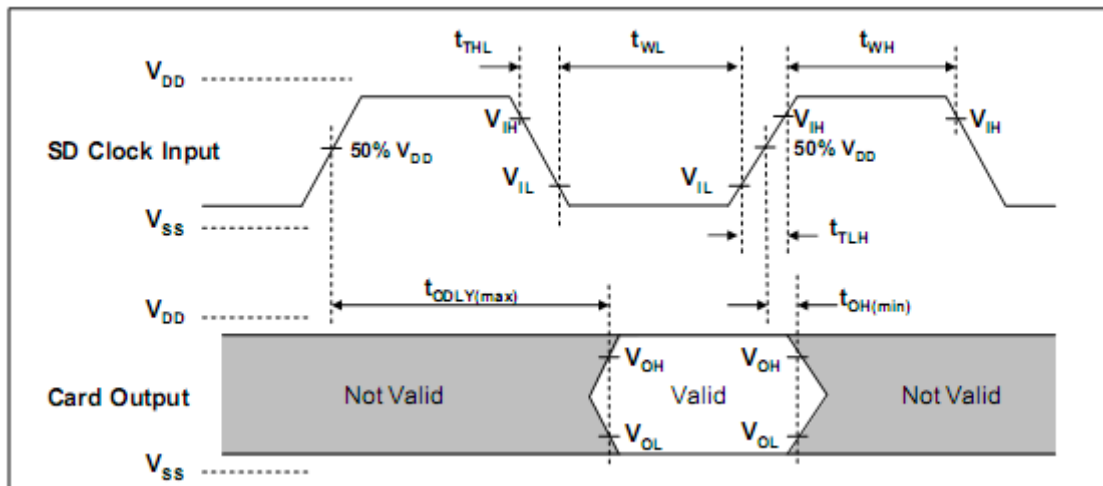


Figure 5: Card Output Timing (High Speed Mode)

| Parameter   | Symbol    | Min. | Max | Unit | Remark                               |
|---|-----------|------|-----|------|--------------------------------------|
| <b>Clock CLK</b> (All values are referred to min ( $V_{IH}$ ) and max ( $V_{IL}$ )) |           |      |     |      |                                      |
| Clock frequency data transfer Mode  | fpp       | 0    | 50  | MHz  | $C_{CARD} \leq 10\text{pF}$ (1 card) |
| Clock low time  | $t_{WL}$  | 7    |     | ns   | $C_{CARD} \leq 10\text{pF}$ (1 card) |
| Clock high time   | $t_{WH}$  | 7    |     | ns   | $C_{CARD} \leq 10\text{pF}$ (1 card) |
| Clock rise time   | $t_{TLH}$ |      | 3   | ns   | $C_{CARD} \leq 10\text{pF}$ (1 card) |
| Clock fall time   | $t_{THL}$ |      | 3   | ns   | $C_{CARD} \leq 10\text{pF}$ (1 card) |
| <b>Inputs CMD, DAT</b> (referenced to CLK)  |           |      |     |      |                                      |
| Input set-up time   | $t_{ISU}$ | 6    |     | ns   | $C_{CARD} \leq 10\text{pF}$ (1 card) |
| Input hold time   | $t_{IH}$  | 2    |     | ns   | $C_{CARD} \leq 10\text{pF}$ (1 card) |
| <b>Outputs CMD, DAT</b> (referenced to CLK)   |           |      |     |      |                                      |



|  |            |     |    |    |                                 |
|--|------------|-----|----|----|---------------------------------|
| Output Delay time during Data Transfer Mode          | $t_{ODLY}$ |     | 14 | ns | $C_L \leq 40\text{pF}$ (1 card) |
| Output Hold time                                     | $t_{OH}$   | 2.5 |    | ns | $C_L \geq 15\text{pF}$ (1 card) |
| Total System capacitance for each line <sup>1P</sup> | $C_L$      |     | 40 | pF | 1 card                          |

(1) In order to satisfy sever timing , host shall drive only one card.

**Table 10: Bus Timing – Parameters Values (High Speed)**

## 7.2 For 1.8V Signaling

### 7.2.1 Threshold Level for High Voltage Range

| Parameter           | Symbol     | Min          | Max  | Unit | Remark                                   |
|---------------------|------------|--------------|------|------|--|
| Supply Voltage      | $V_{DD}$   | 2.7          | 3.6  | V    |  |
| Regulator Voltage   | $V_{DDIO}$ | 1.7          | 1.95 | V    | Generated by $V_{DD}$                    |
| Output High Voltage | $V_{OH}$   | 1.4          |      | V    | $I_{OH}=2\text{mA}$ $V_{DD \text{ min}}$ |
| Output Low Voltage  | $V_{OL}$   |              | 0.45 | V    | $I_{OL}=2\text{mA}$ $V_{DD \text{ min}}$ |
| Input High Voltage  | $V_{IH}$   | 1.27         | 2.0  | V    |  |
| Input Low Voltage   | $V_{IL}$   | $V_{SS}-0.3$ | 0.58 | V    |  |

**Table 11: Threshold Level for High Voltage**

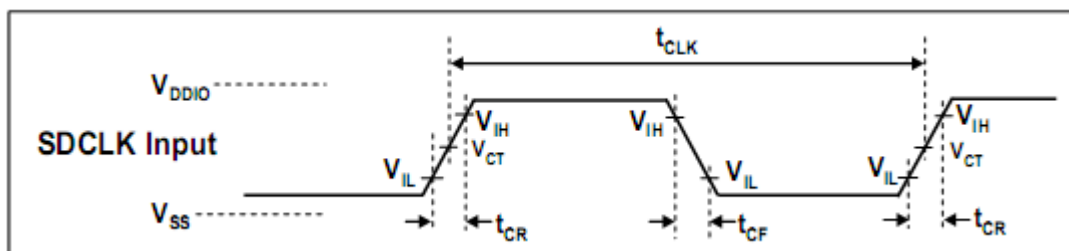
### 7.2.2 Peak Voltage and Leakage Current

| Parameter             | Symbol | Min | Max | Unit | Remark                       |
|-----------------------|--------|-----|-----|------|------------------------------|
| Input Leakage Current |        | -2  | 2   | uA   | DAT3 pull-up is disconnected |

**Table 12: Peak Voltage and Leakage Current**

### 7.2.3 Bus Timing Specification in SDR12, SDR25, SDR50 and SDR104 Modes

#### 7.2.3.1 Clock Timing



**Figure 6: Clock Signal Timing**

| Symbol           | Min | Max             | Unit | Remark  |
|------------------|-----|-----------------|------|---|
| $t_{CLK}$        | 4.8 | -               | ns   | 208MHz (Max.), Between rising edge, $V_{CT}=0.975V$   |
| $t_{CR}, t_{CF}$ | -   | $0.2 * t_{CLK}$ | ns   | $t_{CR}, t_{CF} < 2.00\text{ns}$ (max.) at 208MHz, $CCARD=10\text{pF}$<br>$t_{CR}, t_{CF} < 2.00\text{ns}$ (max.) at 100MHz, $CCARD=10\text{pF}$<br>The absolute maximum value of $t_{CR}, t_{CF}$ is 10ns regardless of clock frequency. |
| Clock Duty       | 30  | 70              | %    |   |

**Table 13: Clock Signal Timing**

### 7.2.3.2 Card Input Timing

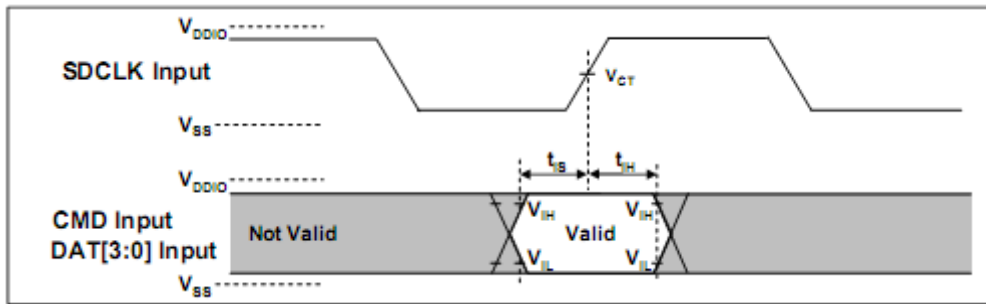


Figure 7: Card Input Timing

| Symbol   | Min  | Max | Unit | SDR104 mode   |
|----------|------|-----|------|---|
| $t_{IS}$ | 1.40 | -   | ns   | $C_{CARD} = 10\text{pF}$ , $V_{CT} = 0.975\text{V}$ |
| $t_{IH}$ | 0.80 | -   | ns   | $C_{CARD} = 5\text{pF}$ , $V_{CT} = 0.975\text{V}$  |
| Symbol   | Min  | Max | Unit | SDR12, SDR25 and SDR50 modes                        |
| $t_{IS}$ | 3.00 | -   | ns   | $C_{CARD} = 10\text{pF}$ , $V_{CT} = 0.975\text{V}$ |
| $t_{IH}$ | 0.80 | -   | ns   | $C_{CARD} = 5\text{pF}$ , $V_{CT} = 0.975\text{V}$  |

Table 14: SDR50 and SDR104 Input Timing

### 7.2.3.3 Card Output Timing

#### 7.2.3.3.1 Output Timing of Fixed Data Window (SDR12, SDR25 and SDR50)

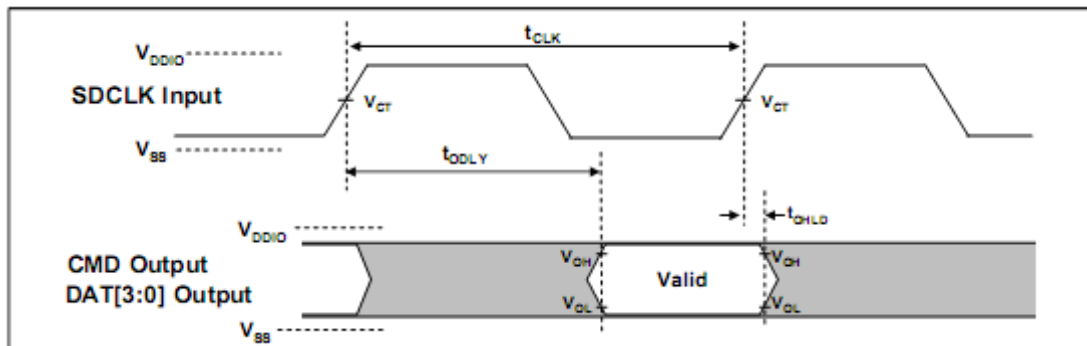
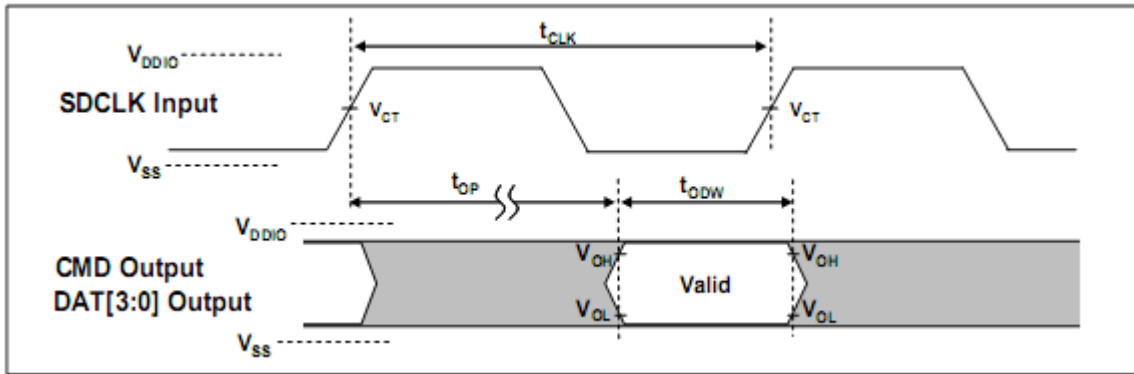


Figure 8: Output Timing of Fixed Data Window

| Symbol     | Min | Max | Unit | Remark  |
|------------|-----|-----|------|---|
| $t_{ODLY}$ | -   | 7.5 | ns   | $t_{CLK} \geq 10.0\text{ns}$ , $CL=30\text{pF}$ , using driver Type B, for SDR50.           |
| $t_{ODLY}$ | -   | 14  | ns   | $t_{CLK} \geq 20.0\text{ns}$ , $CL=40\text{pF}$ , using driver Type B, for SDR25 and SDR12. |
| $t_{OH}$   | 1.5 | -   | ns   | Hold time at the $t_{ODLY}$ (min.). $CL=15\text{pF}$  |

Table 15: Output Timing of Fixed Data Window

### 7.2.3.3.2 Output Timing of Variable Window (SDR104)



**Figure 9: Output Timing of Variable Data Window**

| Symbol          | Min  | Max   | Unit | Remark   |
|-----------------|------|-------|------|--|
| $t_{OP}$        | -    | 2     | UI   | Card Output Phase                                      |
| $\Delta t_{OP}$ | -350 | +1550 | ps   | Delay variation due to temperature change after tuning |
| $t_{ODW}$       | 0.60 | -     | UI   | $t_{ODW} = 2.88ns$ at 208MHz                           |

**Table 16: Output Timing of Variable Data Window**

## 8. Physical Dimension

| Type      | Measurement         |
|-----------|---------------------|
| Length    | 15mm +/- 0.1mm(B)   |
| Width     | 11mm +/- 0.1mm(A)   |
| Thickness | 1.0mm +/- 0.1mm(C)  |
|           | 0.7mm +/- 0.1mm(C1) |
| Weight    | 0.33 gram Max       |

**Physical Dimension Specifications (Unit in mm)**



Mechanical form factor as follows: (Unit in mm)

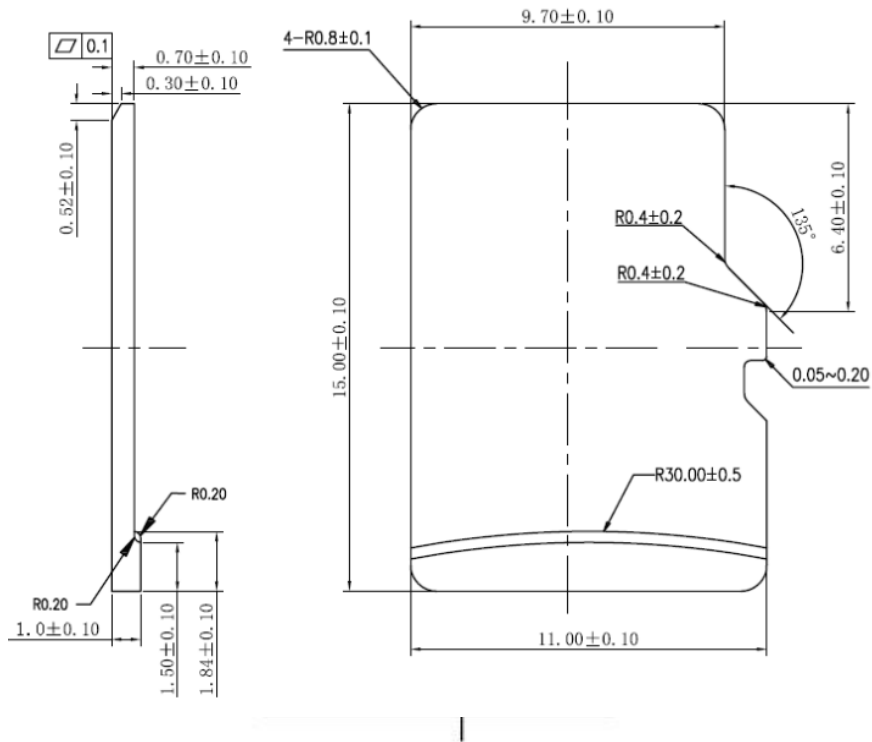


Figure 10: Dimension Drawing