

1. Description

The AMS1117 is a positive low voltage dropout regulator; typical voltage dropout is only 1.2V at 1A. AMS1117 provides two versions: fixed and adjustable versions. The output accuracy of the adjustable voltage version is 1.5%. The output accuracy of the fixed voltage version is 2%. The AMS1117 offers some key features include thermal shutdown and current limiting. It is suitable for all electronic products.

3. Features

- The output accuracy of fixed versions 1.2V, 1.5V, 1.8V, 2.5V, 3.3V, and 5.0V is 2%, and the output accuracy of adjustable versions is 1.5%
- Adjustable output voltage

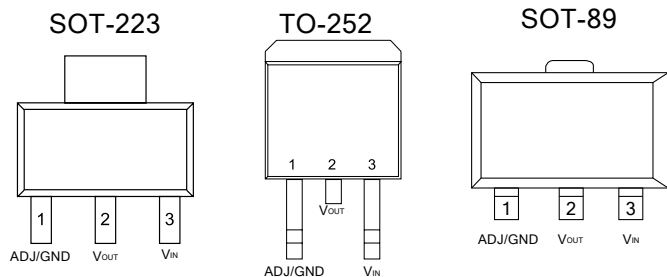
2. Applications

- Laptop, Palmtop, and Notebook Computers
- Battery Charger
- SCSI-II Active Terminator
- Cellular Phone
- Cordless Telephones
- Battery Powered Systems
- Portable Instrumentation
- SMPS Post-Regulator

- Low Dropout Voltage: Typical 1.2V@1A
- Current Limiting
- Thermal Shutdown
- Temperature Range: -40°C to 125°C

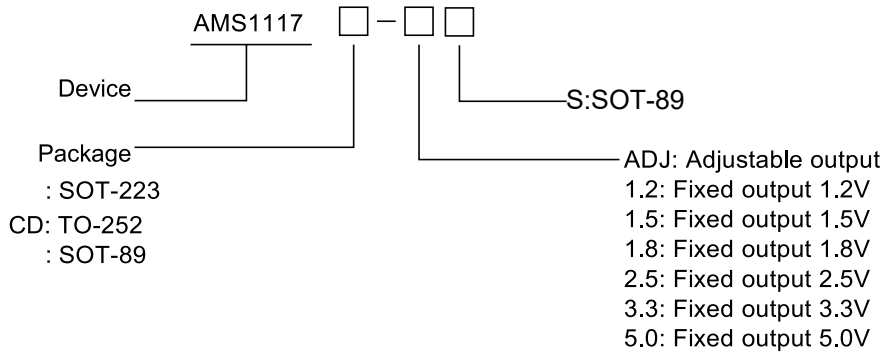
4. Pinning information

Pin	Symbol	Description
1	I/O	GND/ADJ
2	O	V _{OUT}
3	I	V _{IN}

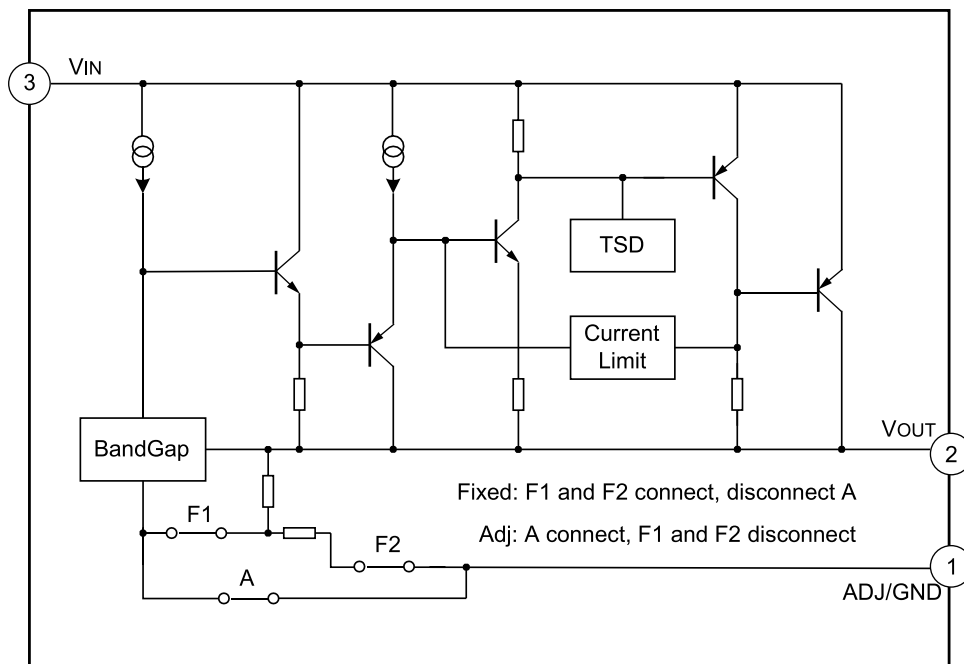




5.Nomenclature



6.Block Diagram





7. Absolute Maximum Ratings

Characteristics		Symbol	Value	Units
Input Supply Voltage		V_{IN}	18	V
Lead Temperature (Soldering, 5 seconds)		T_{Lead}	260	°C
Junction Temperature Range		T_J	150	°C
Storage Temperature Range		T_{STG}	-65 to 150	°C
Power Dissipation		P_D	Internally Limited (Note1)	mW
Thermal Resistance from Junction to Ambient	SOT-223	R _{ja}	120	°C/W
	TO-252		100	°C/W
	SOT-89		165	°C/W
ESD Tolerance (Minimum)		ESD	2000	V

8. Recommended Operating Conditions

Characteristics		Symbol	Rating	Units
Input voltage		V_{IN}	12	V
Junction Temperature Range		T_J	-40 to 125	°C



9. Electrical Characteristics

Characteristics	Symbol	Conditions	Min	Typ	Max	Units
Reference Voltage	V_{REF}	AMS1117-ADJ $I_{OUT}=10mA, V_{IN}-V_{OUT}=2V, T_J=25^{\circ}C$	1.231	1.250	1.269	V
Output Voltage	V_{OUT}	AMS1117-1.2 $I_{OUT}=10mA, V_{IN}=3.2V, T_J=25^{\circ}C$	1.176	1.2	1.224	V
		AMS1117-1.5 $I_{OUT}=10mA, V_{IN}=3.2V, T_J=25^{\circ}C$	1.470	1.500	1.530	V
		AMS1117-1.8 $I_{OUT}=10mA, V_{IN}=3.8V, T_J=25^{\circ}C$	1.746	1.800	1.836	V
		AMS1117-2.5 $I_{OUT}=10mA, V_{IN}=4.5V, T_J=25^{\circ}C$	2.450	2.500	2.550	V
		AMS1117-3.3 $I_{OUT}=10mA, V_{IN}=5V, T_J=25^{\circ}C$	3.234	3.300	3.366	V
		AMS1117-5 $I_{OUT}=10mA, V_{IN}=7V, T_J=25^{\circ}C$	4.900	5.000	5.100	V
		Output Voltage Temperature Stability	TS_{OUT}			0.3
Line Regulation	R_{line}	$V_{INMIN} \leq V_{IN} \leq 12V, V_{OUT} = \text{Fixed/Adj}$ $I_{OUT}=10mA$		9	18	mV
Load Regulation	R_{load}	$10mA \leq I_{OUT} \leq 1A, V_{OUT} = \text{Fixed/Adj}$		10	18	mV
Dropout Voltage	V_{drop}	$I_{OUT}=100mA$		1	1.20	V
		$I_{OUT}=500mA$		1.05	1.25	V
		$I_{OUT}=1A$		1.20	1.30	V
Quiescent Current	I_q	$4.25V \leq V_{IN} \leq 6.5V$		5	10	mA
Ripple Rejection	P_{SRR}	$f_{RIPPLE}=120Hz, (V_{IN}-V_{OUT})=3V$ $V_{RIPPLE}=1V_{PP}$	60	75		dB



Adjust pin Current	I_{adj}		60	120	μA
Adjust pin Current Change		$0 \leq I_{OUT} \leq 1A, 1.4V \leq V_{IN} - V_{OUT} \leq 10V$	0.2	5	μA
Thermal shutdown	TSD		150		$^{\circ}C$
Current limiting	I_{limit}		2.1	2.5	A
Temperature Stability			0.5		%
Long Term Stability		$T_A = 125^{\circ}C, 1000Hrs$	0.3		%
RMS Output Noise		% of $V_{OUT}, 10Hz \leq f \leq 10kHz$	0.003		%

10.function Description

The AMS1117 is a LDO regulator, its pass transistor is made up of a single NPN transistor being driven by a PNP.

The dropout voltage is defined as: $V_{DROP} = V_{BE} + V_{SAT}$.

The AMS1117 series of fixed and adjustable regulators are easy to use. Output voltages are 1.2V, 1.5V, 1.8V, 2.5V, 3.3V, and 5.0V. On-chip thermal shut down provides protection against any combination of overload and ambient temperature that would create excessive junction temperature.

The AMS1117 requires an output capacitor for device stability. Its value of 22 μF tantalum covers all cases of bypassing the adjustment terminal. Without bypassing the adjustment terminal smaller capacitors can be used with equally good results which depend upon the application circuit. In general, linear regulator stability decreases with higher output currents.



11. typical Application Circuit

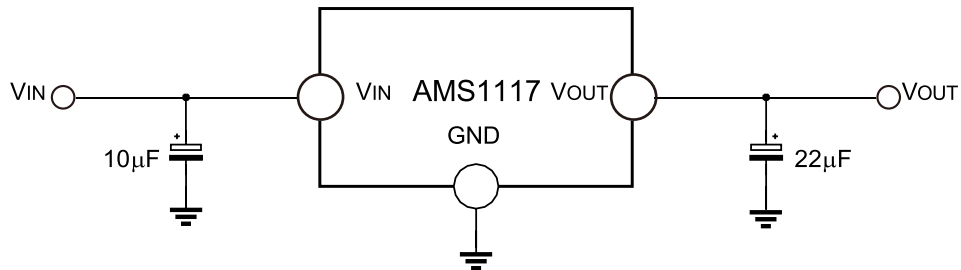


Figure 1. Typical Fixed Output Voltage

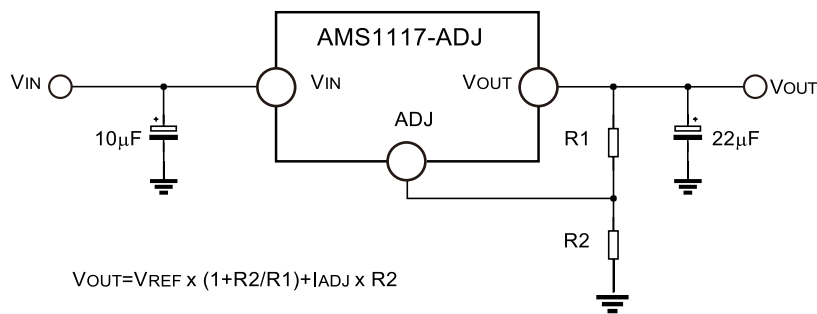


Figure 2. Typical Adjustable Output Voltage

Notes: The circuit and parameters are reference only, please set the parameters of the real application circuit based on the real test.

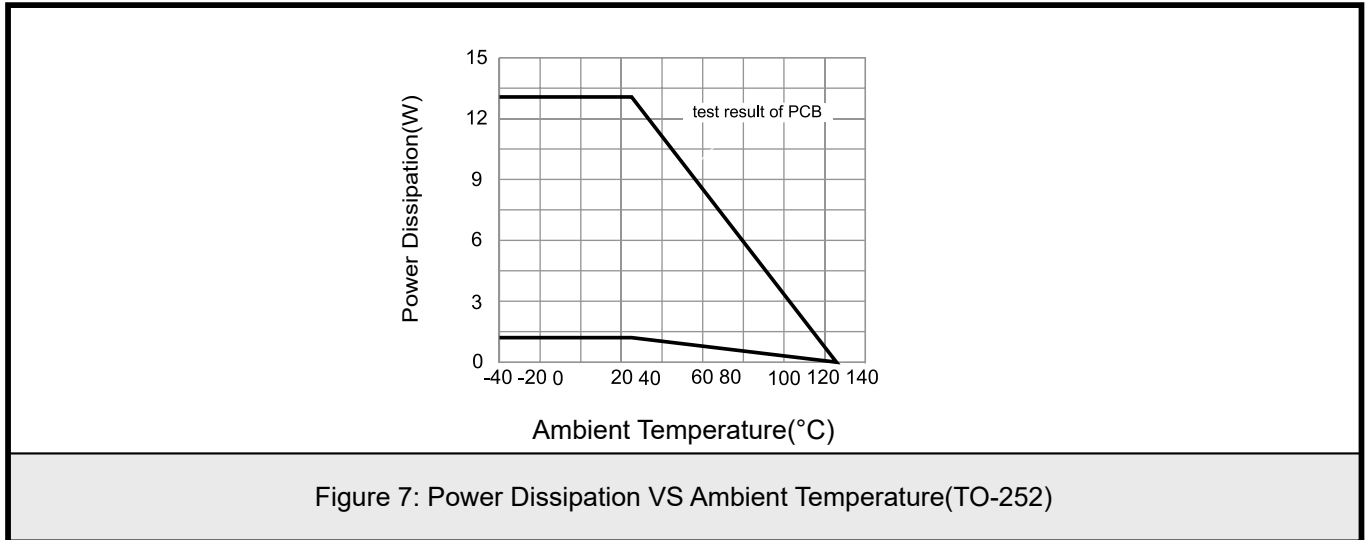


12.1 Typical characteristic

<p>Figure 1: Temperature Stability</p>	<p>Figure 2: Adjust Pin Current</p>
<p>Figure 3: $V_{OUT}=5V$ Load Transient Response</p>	<p>Figure 4: $V_{OUT}=5V$ Line Transient Response</p>
<p>Figure 5: Ripple Rejection VS Current</p>	<p>Figure 6: Power Dissipation VS Ambient Temperature(SOT-223)</p>

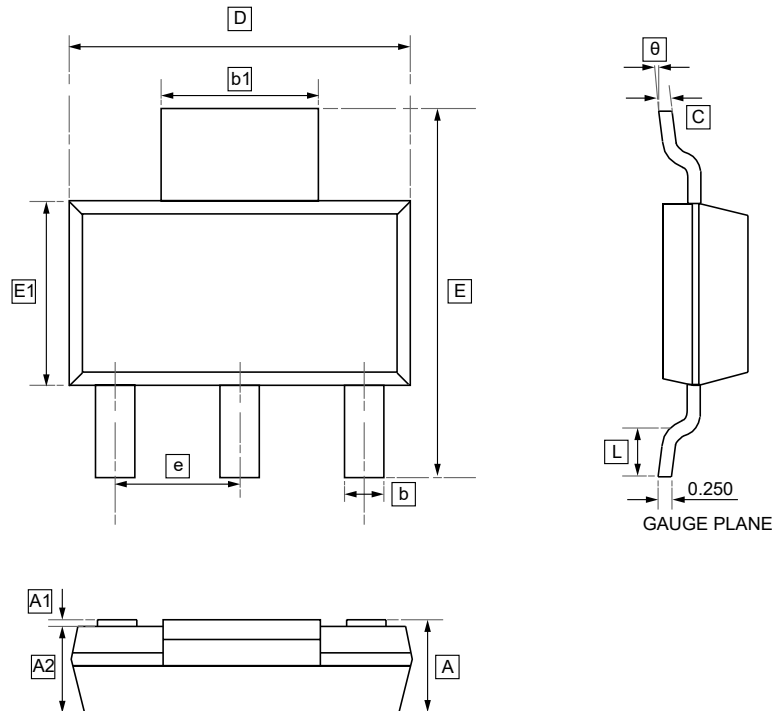


12.2 Typical characteristic





13.1 SOT-223 Package Outline Dimensions

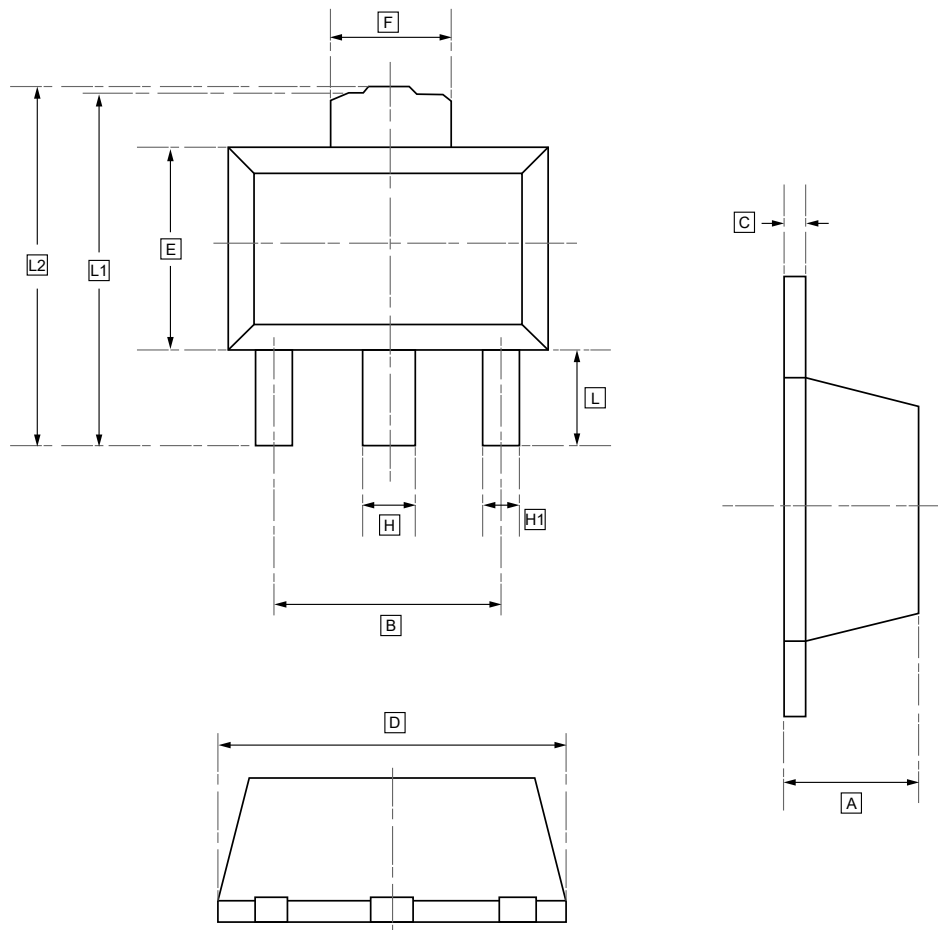


DIMENSIONS (mm are the original dimensions)

Symbol	A	A1	A2	b	b1	c	D	E	E1	e	L	θ
Min	-	0.020	1.500	0.660	2.900	0.230	6.300	6.700	3.300	2.300	0.750	0°
Max	1.800	0.100	1.700	0.840	3.100	0.350	6.700	7.300	3.700	BSC	-	10°



13.2 SOT-89 Package Outline Dimensions

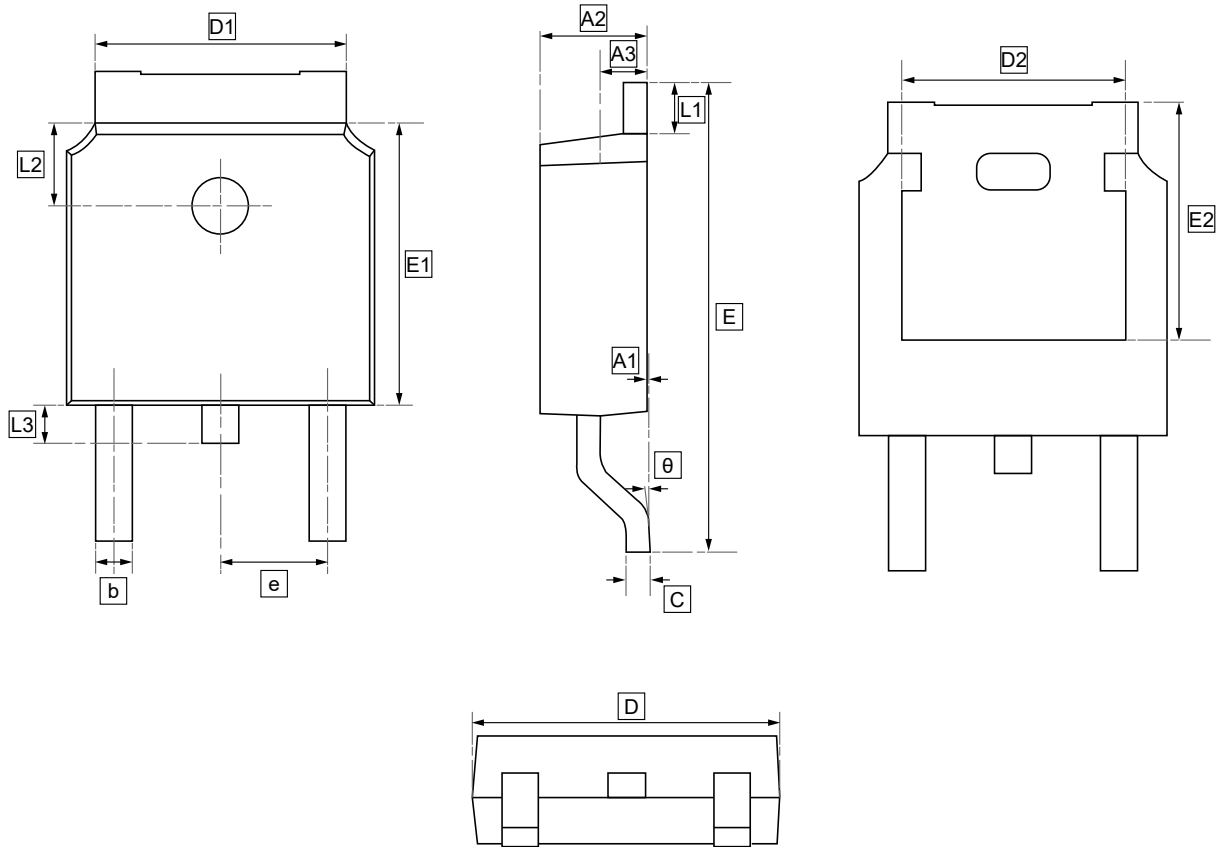


DIMENSIONS (mm are the original dimensions)

Symbol	A	B	C	D	E	F	H	H1	L	L1	L2
Min	1.450	2.950	0.330	4.450	2.450	1.650	0.450	0.370	0.900	4.100	4.100
Max	1.550	3.050	0.430	4.550	2.550	1.750	0.580	0.480	1.000	4.300	4.350



13.3 TO-252 Package Outline Dimensions

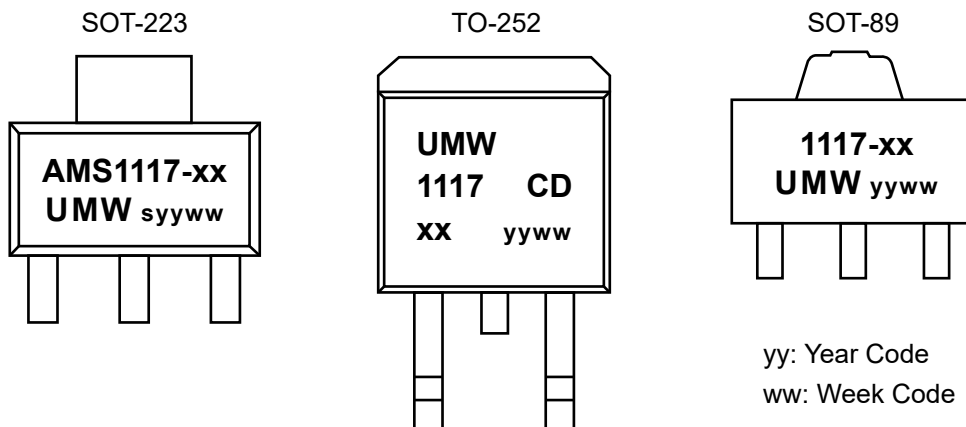


DIMENSIONS (mm are the original dimensions)

Symbol	A1	A2	A3	b	c	D	D1	D2	E	E1	E2	e	L1	L2	L3	θ
Min	0.00	2.18	0.90	0.65	0.46	6.35	4.95	4.32	9.40	5.97	5.21	2.286	0.89	1.70	0.60	0.00
Max	0.13	2.39	1.10	0.85	0.61	6.73	5.46	4.90	10.41	6.22	5.38	BSC	1.27	1.90	1.00	8.00



14. Ordering information



Order Code	Marking	Package	Base QTY	Delivery Mode
UMW AMS1117-1.2	AMS1117-1.2	SOT-223	2500	Tape and reel
UMW AMS1117-1.2S	1117-1.2	SOT-89	1000	Tape and reel
UMW AMS1117-1.5	AMS1117-1.5	SOT-223	2500	Tape and reel
UMW AMS1117-1.8	AMS1117-1.8	SOT-223	2500	Tape and reel
UMW AMS1117-2.5	AMS1117-2.5	SOT-223	2500	Tape and reel
UMW AMS1117-3.3	AMS1117-3.3	SOT-223	2500	Tape and reel
UMW AMS1117-3.3S	1117-3.3	SOT-89	1000	Tape and reel
UMW AMS1117-5.0	AMS1117-5.0	SOT-223	2500	Tape and reel
UMW AMS1117-5.0S	1117-5.0	SOT-89	1000	Tape and reel
UMW AMS1117-ADJ	AMS1117-ADJ	SOT-223	2500	Tape and reel
UMW AMS1117-ADJS	1117-ADJ	SOT-89	1000	Tape and reel
UMW AMS1117CD-1.2	1117CD-1.2	TO-252	2500	Tape and reel
UMW AMS1117CD-1.8	1117CD-1.8	TO-252	2500	Tape and reel
UMW AMS1117CD-3.3	1117CD-3.3	TO-252	2500	Tape and reel
UMW AMS1117CD-5.0	1117CD-5.0	TO-252	2500	Tape and reel
UMW AMS1117CD-ADJ	1117CD-ADJ	TO-252	2500	Tape and reel



15.Disclaimer

UMW reserves the right to make changes to all products, specifications. Customers should obtain the latest version of product documentation and verify the completeness and currency of the information before placing an order.

When applying our products, please do not exceed the maximum rated values, as this may affect the reliability of the entire system. Under certain conditions, any semiconductor product may experience faults or failures. Buyers are responsible for adhering to safety standards and implementing safety measures during system design, prototyping, and manufacturing when using our products to prevent potential failure risks that could lead to personal injury or property damage.

Unless explicitly stated in writing, UMW products are not intended for use in medical, life-saving, or life-sustaining applications, nor for any other applications where product failure could result in personal injury or death. If customers use or sell the product for such applications without explicit authorization, they assume all associated risks.

When reselling, applying, or exporting, please comply with export control laws and regulations of China, the United States, the United Kingdom, the European Union, and other relevant countries, regions, and international organizations.

This document and any actions by UMW do not grant any intellectual property rights, whether express or implied, by estoppel or otherwise. The product names and marks mentioned herein may be trademarks of their respective owners.