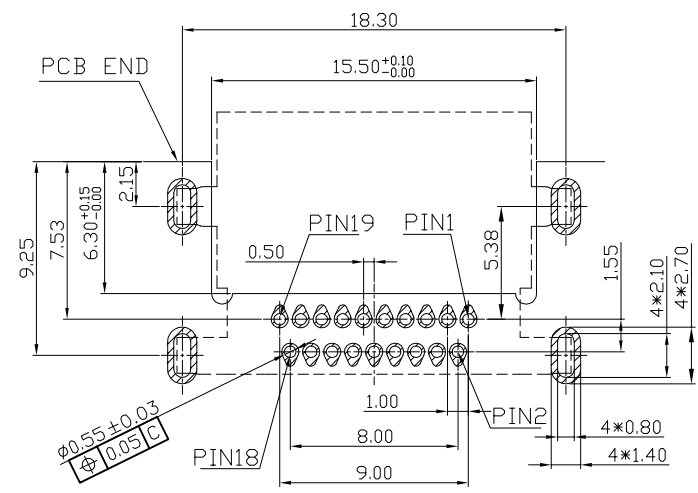
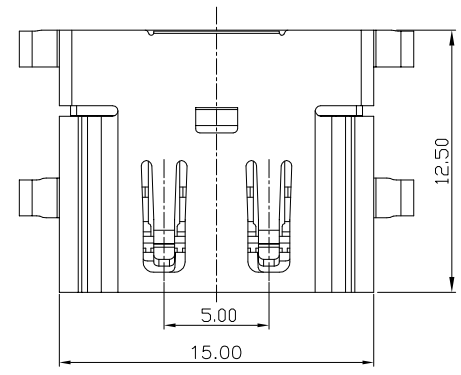
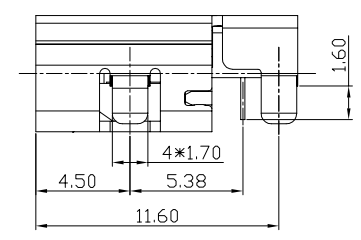
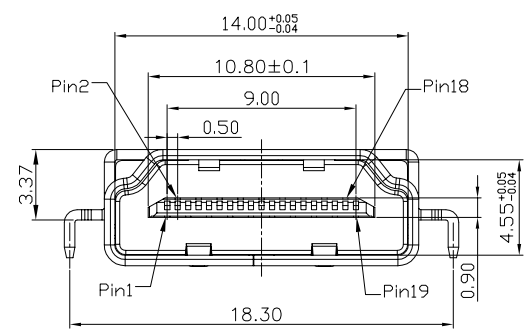


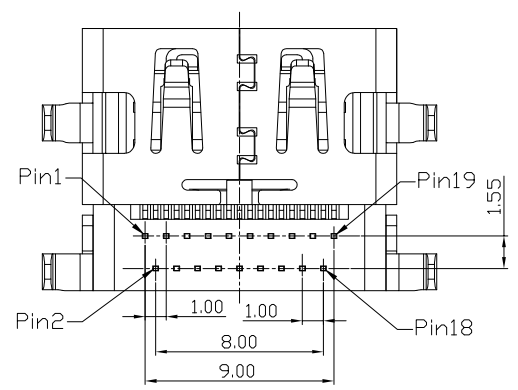
修订	标记	修改摘要	签名	日期
REV	MARK	REVISION DESCRIPTION	SIGNATURE	DATE
AO		NEW DWG		2016-03-12



RECOMMENDED PCB LAYOUT T=1.60
 GENERAL TOLERANCES: ±0.05(TOP VIEW)



- NOTES:
- ELECTRONIC:
 - CONTACT CURRENT RATING: 0.5A
 - CONTACT RESISTANCE: 30mohm Max
 - INSULATION RESISTANCE: 100 Megohms Min
 - WITHSTAND VOLTAGE: AC 500V,1Min.
 - MECHANICAL:
 - MATING FORCE: 44.1N Max
 - UNMATED FORCE: 9.8N~39.2N Max
 - DURABILITY: 10000 CYCLES
 - ENVIRONMENT CHARACTERISTICS:
 - OPERATING TEMPERATURE: -25°C TO +85°C



		深圳市华德共创科技有限公司 Shenzhen Huade co-create Technology Co.,LTD 电话：0755-27111216 传真：0755-29940187			
-TOLERANCES- UNLESS OTHERWISE SPECIFIED 公差参数表				TITLE: HDMI AF反向沉板不锈钢镀镍 产品名称: 黑胶3.37	
X.X ±0.30	X.X* ±3°	APPD: 核准:	PART NO: 产品编号: HDMI-GD-115PWB		
X.XX ±0.20	X.XX* ±2°	CHECK: 校对: 王建业	DATE	SCALE	UNIT
X.XXX ±0.10	X.XXX* ±1°	DRAW: 绘图: 黄艳兰	2016-03-12	1:1	mm
				CODE NUMBER	A001