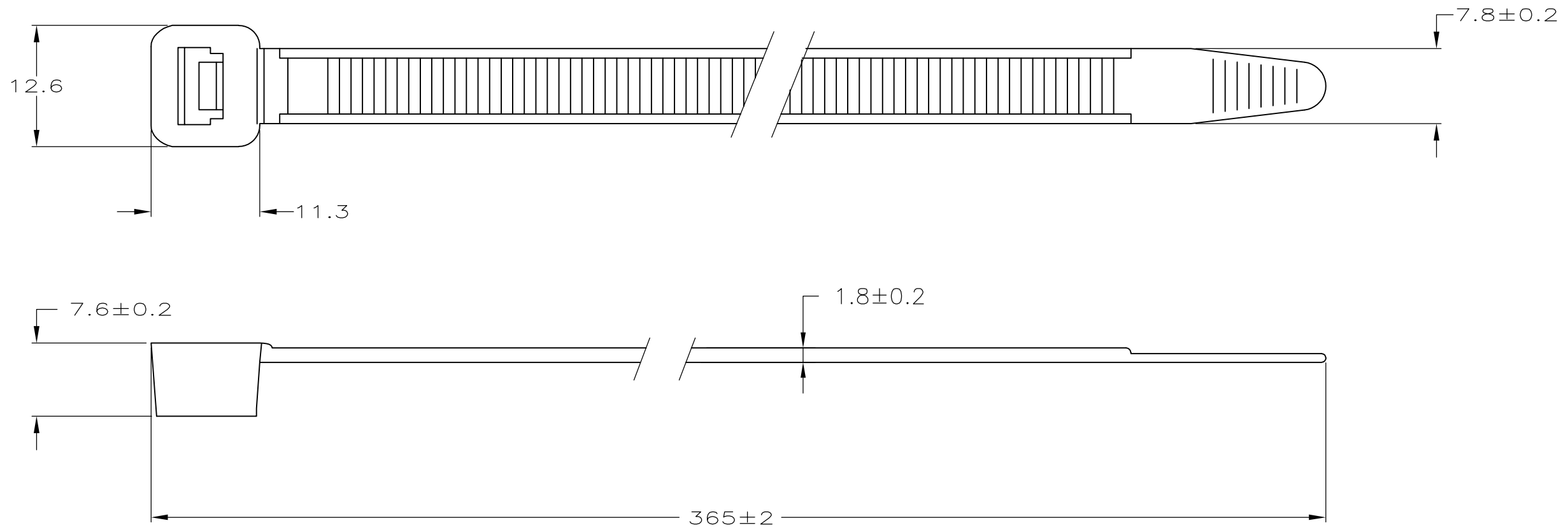


THIS DRAWING IS UNPUBLISHED. RELEASED FOR PUBLICATION  
 © COPYRIGHT - By - ALL RIGHTS RESERVED.

| LOC | DIST | REVISIONS                    |           |     |      |
|-----|------|------------------------------|-----------|-----|------|
| P   | LTR  | DESCRIPTION                  | DATE      | DWN | APVD |
| H   | -    | C1 REVISED PER ECR-25-253648 | 19AUG2025 | SA  | MDP  |

NOTES:

- 1 RANGE: Ø100 MAX.
- 2 MIN. TENSILE STRENGTH 550N.



|     |         |               |             |
|-----|---------|---------------|-------------|
| 100 | BLACK   | POLYAMIDE 6.6 | 2-160983-2  |
| 100 | NATURAL | POLYAMIDE 6.6 | 2-160983-1  |
| QTY | FINISH  | MATERIAL      | PART NUMBER |

|  |  |                                |                            |        |
|--|--|--------------------------------|----------------------------|--------|
| THIS DRAWING IS A CONTROLLED DOCUMENT. |  | DWN<br>J.V.D.HEIJDEN. 27-02-92 | <b>STE</b> TE Connectivity |        |
| DIMENSIONS:<br>mm                      |  | CHK<br>R.VOS.                  |                            |        |
| TOLERANCES UNLESS OTHERWISE SPECIFIED: |  | APVD<br>L.V.SOEST.             | NAME<br>CABLE TY.          |        |
| 0 PLC ± -                              |  | PRODUCT SPEC                   | SIZE                       |        |
| 1 PLC ± 0.4                            |  | APPLICATION SPEC               | CAGE CODE                  |        |
| 2 PLC ± -                              |  | WEIGHT                         | DRAWING NO                 |        |
| 3 PLC ± -                              |  | MATERIAL                       | RESTRICTED TO              |        |
| 4 PLC ± -                              |  |                                | A3 00779 C-160983          |        |
| ANGLES ± -                             |  | CUSTOMER DRAWING               |                            | SCALE  |
| FINISH                                 |  | SHEET                          |                            | 1 OF 1 |
| SEE TABLE                              |  | REV                            |                            | C1     |