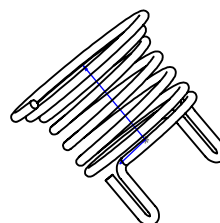
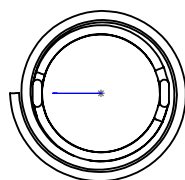
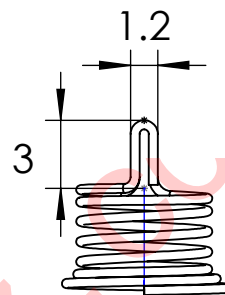
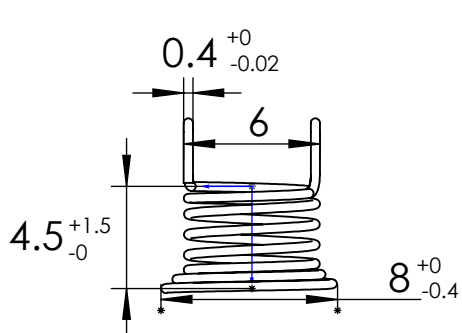


1

2

3

4



### Technical requirements:

- 1、Unit: mm
- 2、Wire diameter: 0.4
- 3、Material: Nickel Plated Steel-Wire, meet ROHS
- 4、Style: horn mouth double pin
- 5、Technics: High-Temperature Heat Treatment at 260°C
- 6、Size tolerance: The tolerance of unmarked parts is  $\pm 0.25\text{mm}$
- 7、No dirty surface, no bad material
- 8、Contact number: 13459252012、0592-5216722
- 9、Mode: F8-4.5-6-0.4-1.2UU
- 10、Salt spray test: five percent salt spray test meets 24 hours
- 11、Package: by bag, MPQ: 1000PCS/bag

						碳钢线			厦门市芯网电子科技有限公司	
						阶段标记	重量	比例		
设计						s		3:1		
校核										
批准										

1

2

3

4