

DIALIGHT PART NUMBER	POSITION	LED COLOR	DIM. "A"
550-0004-859F	1	GREEN DIFFUSED	.180
	2	GREEN DIFFUSED	.180
	3	GREEN DIFFUSED	.180
	4	RED DIFFUSED	.180

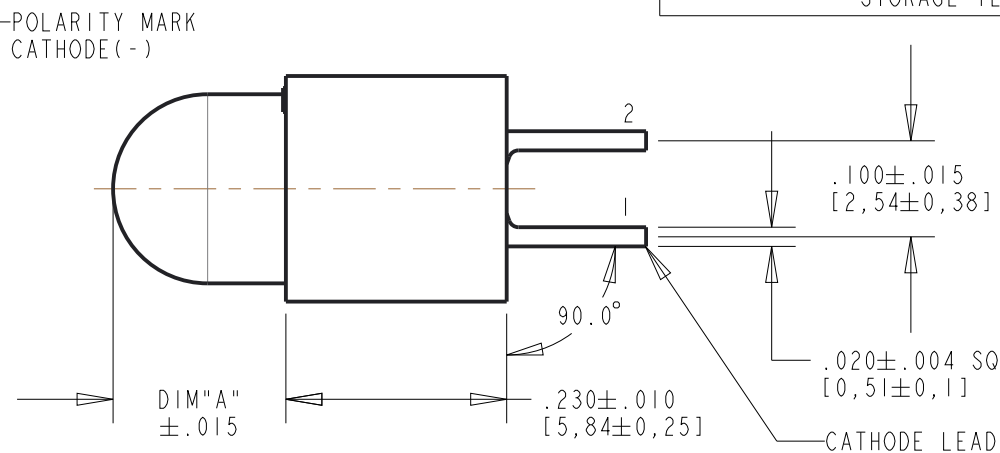
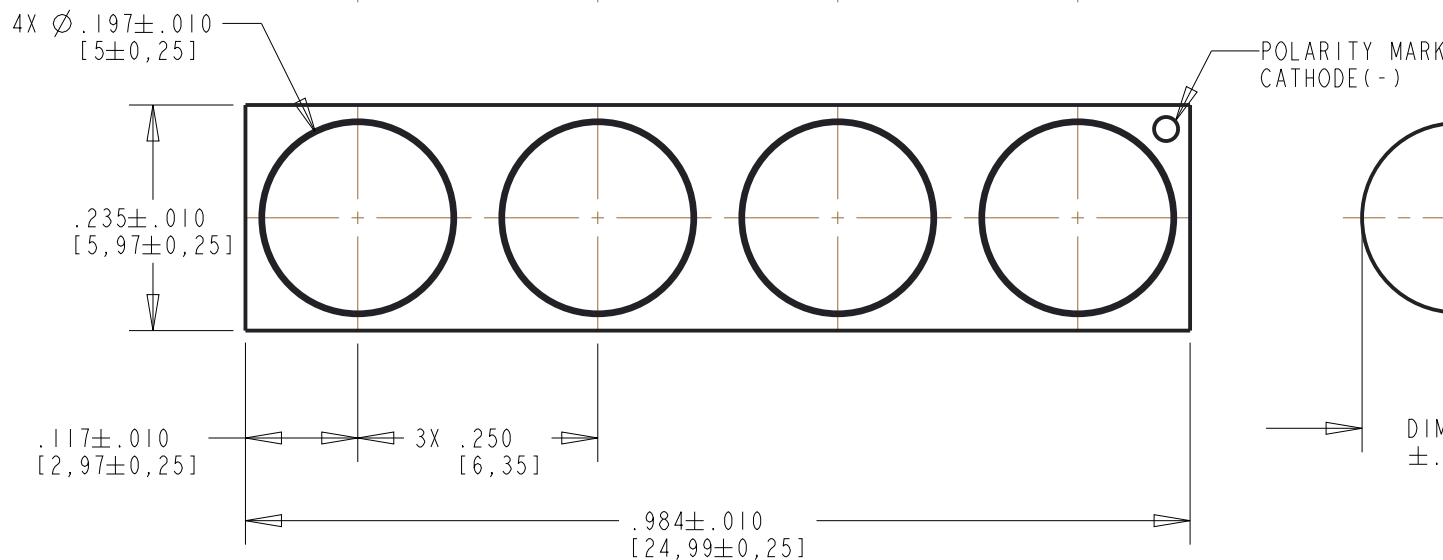
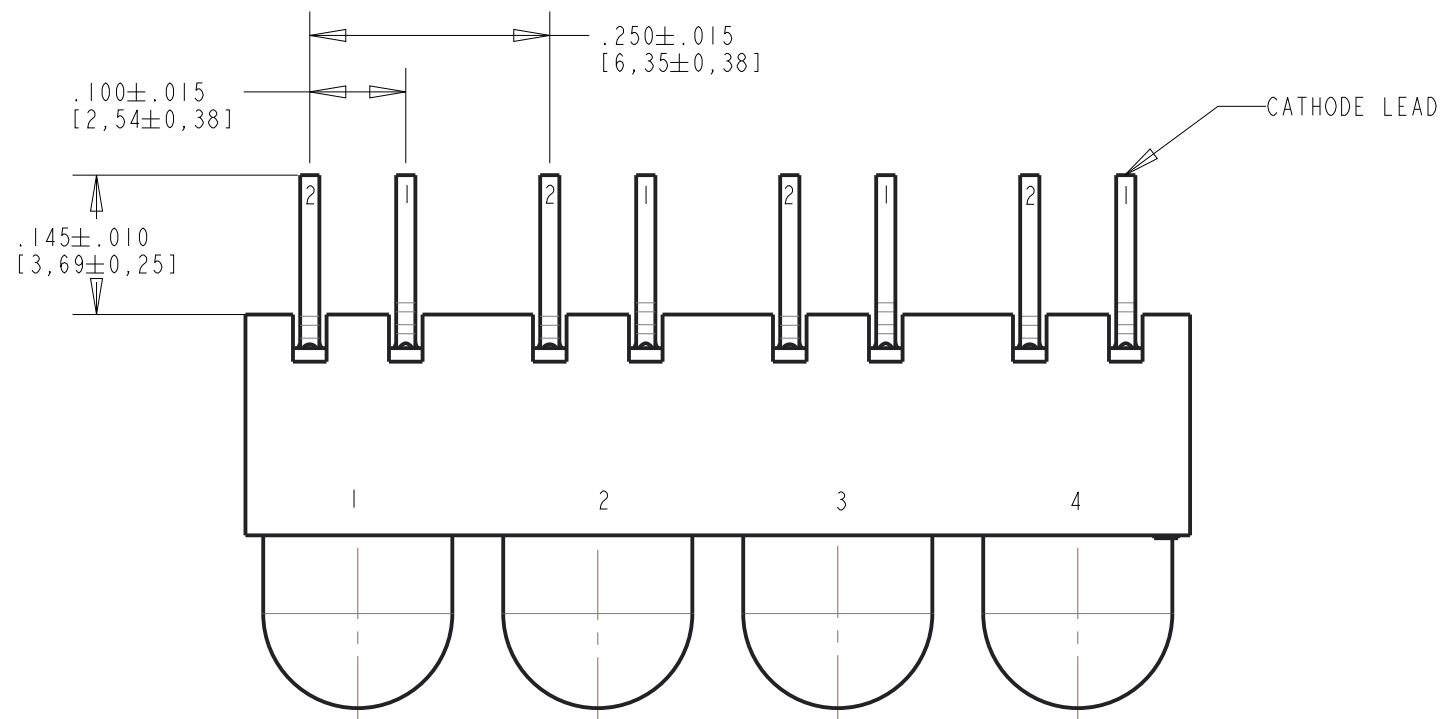
### RoHS COMPLIANT 550-0004-859F

Part Numbers with the "F" suffix ending are RoHS Compliant. Packaging is marked with "RoHS Compliant" label or equivalent markings. Parts can be wave soldered, dip soldered or hand soldered using typical lead-free soldering process with max 260°C temp. for 5 sec.

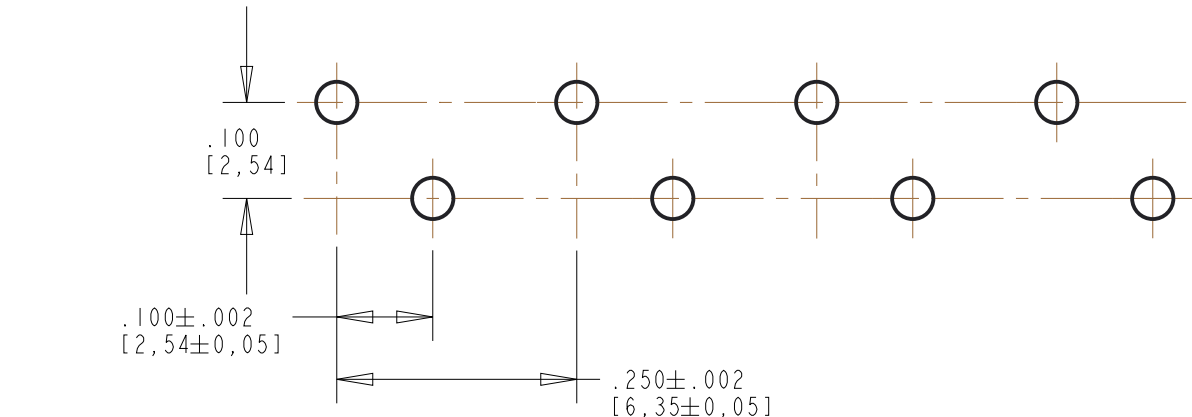
REV	REVISIONS	DRN	APP	DATE
A	NEW RELEASE	LD	NO	4-19-22

OPERATING CHARACTERISTICS AT 25°C AMBIENT						
CHARACTERISTICS	LED COLOR	MIN	TYP	MAX	UNITS	TEST CONDITIONS
LUMINOUS INTENSITY	RED	19	40	90	mcd	I <sub>F</sub> = 10 mA
	GREEN	19	40	40		
FORWARD VOLTAGE	RED		2.0	2.6	V	I <sub>F</sub> = 20 mA
	GREEN	1.6	2.1	2.6		
DOMINANT WAVELENGTH	RED		623		nm	
	GREEN	568	571	573		
PEAK WAVELENGTH	RED		635		nm	
	GREEN		569			
REVERSE CURRENT	RED			100	μA	V <sub>R</sub> = 5 V
	GREEN			100		
VIEWING ANGLE (2 θ 1/2)	RED		50		DEGREE	
	GREEN		50			

ABSOLUTE MAX RATINGS AT 25°C AMBIENT	LED COLOR		UNITS
	RED	GREEN	
POWER DISSIPATION	81	52	mW
CONTINUOUS FORWARD CURRENT	30	20	mA
PEAK FORWARD CURRENT (0.1 ms PULSE WIDTH)	90	60	mA
DERATING LINEAR FROM 50°C	0.71	0.27	mA/°C
REVERSE VOLTAGE	5		V
SOLDERING TEMPERATURE (5 SEC.)	260		°C
OPERATING TEMPERATURE	-40 TO +85	-40 TO +85	°C
STORAGE TEMPERATURE	-40 TO +100	-40 TO +100	°C



**ATTENTION:**  
OBSERVE PRECAUTIONS FOR  
HANDLING ELECTROSTATIC  
SENSITIVE DEVICES



#### NOTES:

- LEADS TO FIT INTO HOLE PATTERN AS SHOWN.
- LED LEAD DIMENSIONS SHOWN ARE MEASURED AT HOUSING EXIT.
- PIN NUMBERS FOR REFERENCE ONLY, DESIGNATION NON-EXISTENT ON PARTS.
- THIS ASSEMBLY CONTAINS ELECTROSTATIC DISCHARGE SENSITIVE DEVICES (ESDS). MAINTAIN ALL PRECAUTIONARY MEASURES DURING ASSEMBLY, HANDLING AND STORAGE IN ACCORDANCE WITH IPC-A-610.
- DIALIGHT PART NUMBER: 550-0004-859F

THIS DRAWING AND THE CONTENTS HEREIN ARE CONFIDENTIAL AND THE SOLE PROPERTY OF DIALIGHT CORP. REPRODUCTION OF THIS DRAWING OR CONSTRUCTION OF ANY PARTS WITHIN THIS DRAWING ARE FORBIDDEN WITHOUT THE WRITTEN CONSENT OF DIALIGHT CORP.		
DIALIGHT CORP. INTERNAL REFERENCE ONLY = 3D MODEL : 5500004859F-A.5		
SCALE: 5.000	DRAWING NUMBER	REV
ALL DIM'S: INCH (mm)	C17985	A
TOLERANCES: UNLESS OTHERWISE SPECIFIED	TITLE 5mm VERTICAL QUAD BLOCK	
FRACTIONS: ±1/64 DECIMALS (.XX): ±.01 DECIMALS (.XXX): ±.005 DECIMALS (.XXXX): ±.0005 ANGLES: ±1°	MATERIAL	
FINISH		
FSCM 83330	1501 ROUTE 34 SOUTH FARMINGDALE, NJ 07727 (732) 919-3119 www.dialight.com	
SHEET 1 OF 1		FAMILY TABLE: