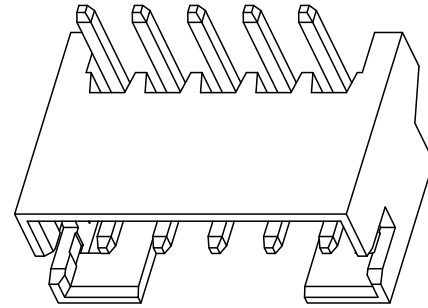
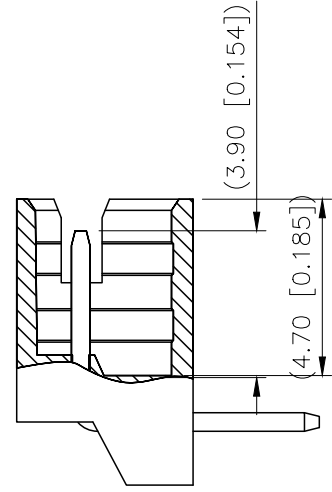
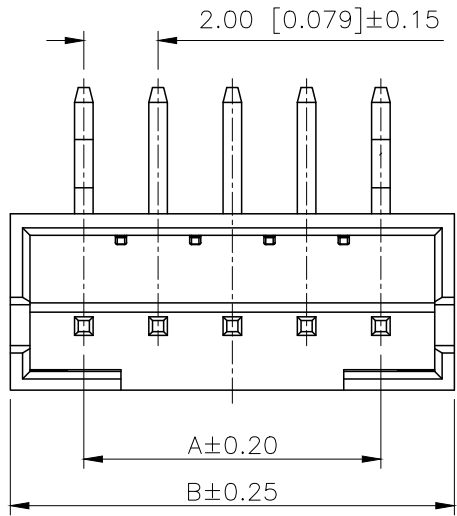


| REVISIONS |                  |          |             |            |        |
|-----------|------------------|----------|-------------|------------|--------|
| REV.      | ECN NO.          | LOCATION | DESCRIPTION | DATE       | DESIGN |
| A1        | N/A              |          | 图面升级整理图面    | 2026.01.26 | 阿树     |
| A2        | ECN-P-2026031603 | ②X4      | 产品尺寸变更      | 2026.03.16 | 阿树     |

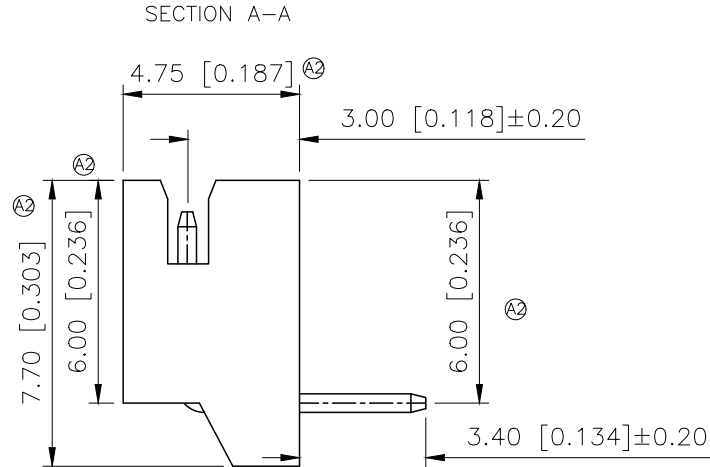
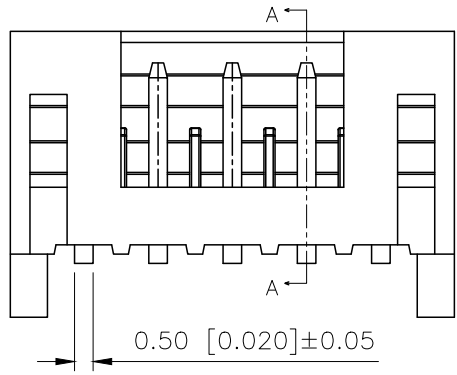


- SPECIFICATIONS
- Voltage rating:100V AC/DC
  - Current rating:2A AC/DC
  - Withstanding Voltage:800V AC/minute
  - Temperature range:-40°C~+125°C
  - Insulation resistance:≥1000MΩ
  - Contact resistance:≤10mΩ
  - After environmental testing:≤20mΩ

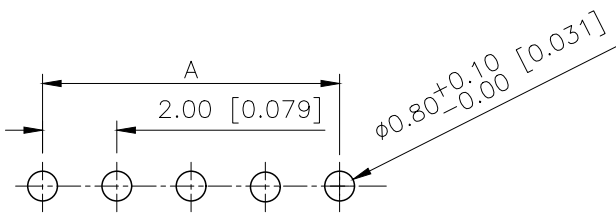
PART NO.:

X2016 W R-XX B-N0 SN  
① ② ③ ④ ⑤ ⑥ ⑦

- ①Series No
- ②Category:W-Wafer
- ③Welding Board Angle:R-Stright 90°
- ④Row No.Pin No:XX-02~20Pin
- ⑤B-With Groove; Without Link Stopper
- ⑥Material : 46-PA46 94V-0  
N0-Nylon 66 UL 94V-0
- ⑦Planting:Sn-Bright Tin Plating;V01-Gold Flash



| Poles | Dimensions(mm) |       |       | Poles | Dimensions(mm) |       |       |
|-------|----------------|-------|-------|-------|----------------|-------|-------|
|       | A              | B     | C     |       | A              | B     | C     |
| 02    | 2.00           | 6.00  | 5.00  | 12    | 22.00          | 26.00 | 25.00 |
| 03    | 4.00           | 8.00  | 7.00  | 13    | 24.00          | 28.00 | 27.00 |
| 04    | 6.00           | 10.00 | 9.00  | 14    | 26.00          | 30.00 | 29.00 |
| 05    | 8.00           | 12.00 | 11.00 | 15    | 28.00          | 32.00 | 31.00 |
| 06    | 10.00          | 14.00 | 13.00 | 16    | 30.00          | 34.00 | 33.00 |
| 07    | 12.00          | 16.00 | 15.00 | 17    | 32.00          | 36.00 | 35.00 |
| 08    | 14.00          | 18.00 | 17.00 | 18    | 34.00          | 38.00 | 37.00 |
| 09    | 16.00          | 20.00 | 19.00 | 19    | 36.00          | 40.00 | 39.00 |
| 10    | 18.00          | 22.00 | 21.00 | 20    | 38.00          | 42.00 | 41.00 |
| 11    | 20.00          | 24.00 | 23.00 |       |                |       |       |



|                  |                   |               |             |                      |
|------------------|-------------------|---------------|-------------|----------------------|
| X2016WR-XXB-N0SN | Nylon 66 UL 94V-0 | Brass         | Tin-Plated  | X2016H               |
| PART NO          | Material          | Material(pin) | Finish(pin) | Suitable XKB Housing |

|                        |       |
|------------------------|-------|
| AuGLAR                 | ±5°   |
| X.                     | ±0.40 |
| X.x                    | ±0.30 |
| X.xx                   | ±0.20 |
| X.xxx                  | ±0.15 |
| UNSPECIFIED TOLERANCES |       |



|          |    |       |       |             |                               |
|----------|----|-------|-------|-------------|-------------------------------|
| DESIGN   | 阿树 | VIEW: |       | MODEL TYPE: | 2.00mm Crimp Style Connectors |
| CHECKED  |    | UNIT: | mm/in | PART NO.:   | X2016WR-XXB-N0SN              |
| APPROVED |    | SIZE: | A4    | DWG NO.:    |                               |

XKB INDUSTRIAL PRECISION CO.,LIMITED

|       |      |          |
|-------|------|----------|
| SCALE | PAGE | REVISION |
| N/A   | 1/1  | A2       |