

34855 ✓ ACTIVE

PLASTI-GRIP

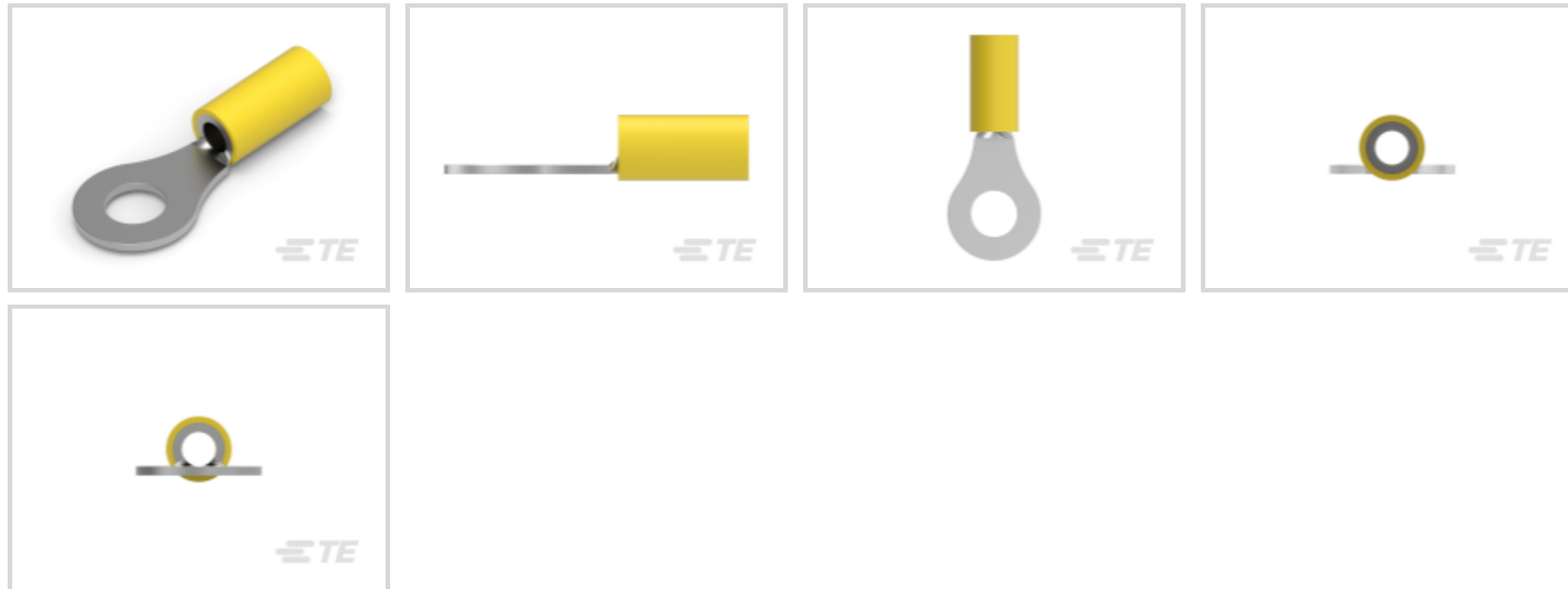
TE Internal #: 34855

Closed Ring Tongue Terminal, 12 – 10 AWG, 1/4 / M6 Stud, 6.35 mm [.25 in] Stud Diameter, Closed Barrel, Straight, Tin Plating, PLASTI-GRIP

[View on TE.com >](#)



Terminals & Splices > Ring Terminals



Ring Terminal Product Type: Closed Ring Tongue Terminal

Wire Size: 5180 – 13100 CMA

Stud Size: 1/4, M6

### Features

#### Configuration Features

Number of Holes	1
-----------------	---

#### Body Features

Product Weight	2.408 g
----------------	---------

#### Mechanical Attachment

Wire Insulation Support	With
-------------------------	------

#### Electrical Characteristics

Voltage Rating	600 V
----------------	-------

#### Industry Standards

Government Qualified Terminal	No
-------------------------------	----

#### Packaging Features

Packaging Quantity	500
--------------------	-----

Packaging Method	Loose Piece
------------------	-------------

#### Product Type Features

Ring Terminal Product Type	Closed Ring Tongue Terminal
----------------------------	-----------------------------



Stud Size	1/4, M6
Sealable	No
Wire Insulation Support Retention Type	Insulation Support

### Contact Features

Barrel Type	Closed
Terminal Orientation	Straight
Terminal Plating Material	Tin

### Dimensions

Wire Size	5180 – 13100 CMA
Stud Diameter	6.35 mm [.25 in]
Tongue Thickness	.99 mm [.039 in]
Product Length	33.71 mm [1.33 in]
Compatible Insulation Diameter (Max)	6.35 mm [.25 in]
Compatible Insulation Diameter Range	3.81 – 6.35 mm [.15 – .25 in]

### Usage Conditions

Insulation Option	Partially Insulated
-------------------	---------------------

### Operation/Application

Compatible With Wire Base Material	Copper
Compatible With Wire Plating Material	Tin

### Other

EU RoHS Compliance	Compliant
EU ELV Compliance	Compliant

### Product Compliance

[For compliance documentation, visit the product page on TE.com>](#)

EU RoHS Directive 2011/65/EU	Compliant
EU ELV Directive 2000/53/EC	Compliant
China RoHS 2 Directive MIIT Order No 32, 2016	No Restricted Materials Above Threshold
EU REACH Regulation (EC) No. 1907/2006	Current ECHA Candidate List: JUNE 2024 (241) Candidate List Declared Against: JUNE 2024 (241) Does not contain REACH SVHC
Halogen Content	Not Low Halogen - contains Br or Cl > 900

ppm.

Solder Process Capability

Not applicable for solder process capability

Product Compliance Disclaimer

This information is provided based on reasonable inquiry of our suppliers and represents our current actual knowledge based on the information they provided. This information is subject to change. The part numbers that TE has identified as EU RoHS compliant have a maximum concentration of 0.1% by weight in homogenous materials for lead, hexavalent chromium, mercury, PBB, PBDE, DBP, BBP, DEHP, DIBP, and 0.01% for cadmium, or qualify for an exemption to these limits as defined in the Annexes of Directive 2011/65/EU (RoHS2). Finished electrical and electronic equipment products will be CE marked as required by Directive 2011/65/EU. Components may not be CE marked. Additionally, the part numbers that TE has identified as EU ELV compliant have a maximum concentration of 0.1% by weight in homogenous materials for lead, hexavalent chromium, and mercury, and 0.01% for cadmium, or qualify for an exemption to these limits as defined in the Annexes of Directive 2000/53/EC (ELV). Regarding the REACH Regulation, the information TE provides on SVHC in articles for this part number is based on the latest European Chemicals Agency (ECHA) 'Guidance on requirements for substances in articles' posted at this URL: <https://echa.europa.eu/guidance-documents/guidance-on-reach>

### Compatible Parts



TE Part # 539691-2  
ERGO DIE R.B.Y



TE Part # 169404  
CERTI-LOK DIE



TE Part # 2063030-1  
SDE DIESET, RBY, UL



TE Part # 2217330-1  
KIT, BTLI, 4 TON, NA



TE Part # 59239-4  
HHHT PIDG PG 12-10 ASSY



TE Part # 59824-1  
TETRA-CRIMP PIDG PG FASTON 22-10 ASSY



TE Part # 47808-6  
DIES PIDG 12-10 DIE SET



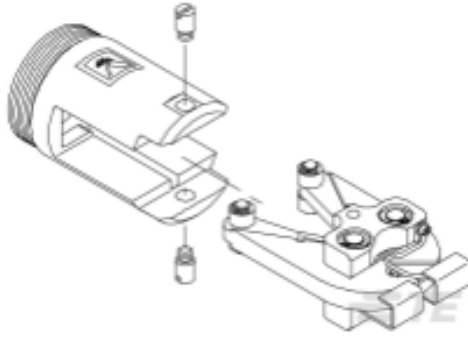
TE Part # 169400  
CERTI-LOK FRAME W/O DIES



TE Part # 58423-1  
DIE, RBY IS9252

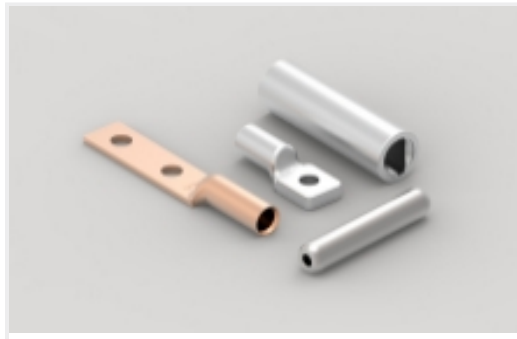


TE Part # 58433-3  
PRO CR ASSY, RBY IS9252

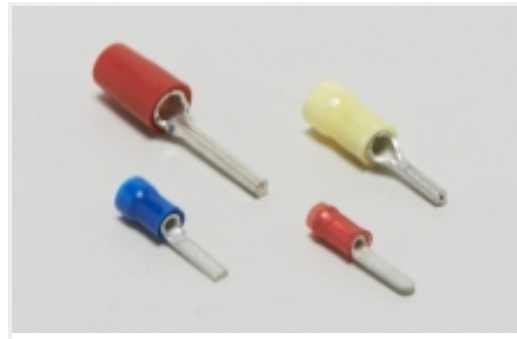


TE Part # 679300-1  
1210 PIDG CRIMP HEAD

Also in the Series | **PLASTI-GRIP**



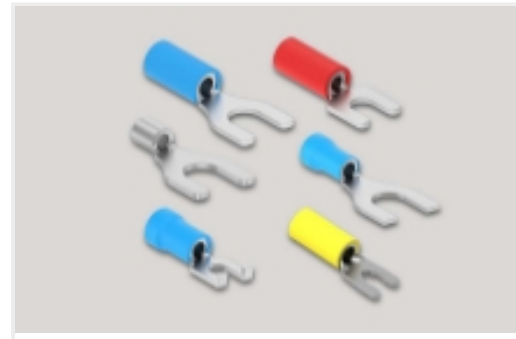
Compression Connectors(3)



Crimp Wire Pins, Tabs & Ferrules(20)



Ring Terminals(310)



Spade Terminals(159)



Splices(45)

### Customers Also Bought



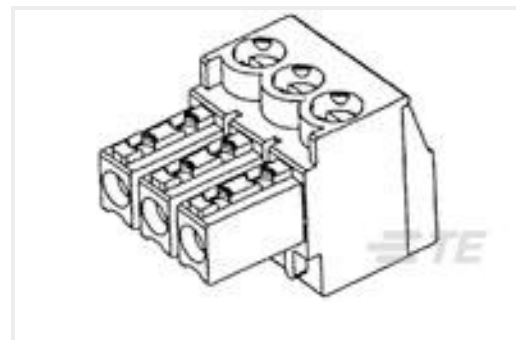
TE Part #52266-4  
TERMINAL R PG 4 3/8



TE Part #33465  
TERMINAL,SOLIS R 6 1/4



TE Part #33470  
TERMINAL,SOLIS R 4 5/16



TE Part #284507-4  
4 POS TERMI-BLOK PLUG STAC 3,8



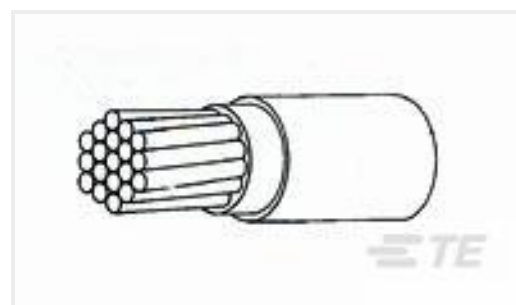
TE Part #1630027-5  
HSC300 1K0 5%



TE Part #5053282035  
RNF-100-3/4-9-STK



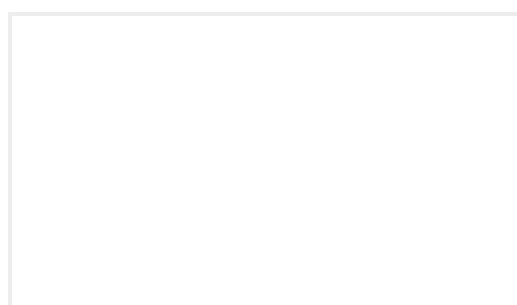
TE Part #787610-1  
CPC RECPT, SIZE 23-37 W/INSERTS



TE Part #282021-014  
44A0111-20-1



TE Part #925688-1  
SPARK PLUG REC 1,0M



TE Part #3-1768803-4  
LBC-TYC-BS7671-S

### Documents



**Product Drawings**

[TERMINAL,PG R 12-10 1/4](#)

English

---

**CAD Files**

Customer View Model

[ENG\\_CVM\\_CVM\\_34855\\_AA.2d\\_dxf.zip](#)

English

**3D PDF**

3D

Customer View Model

[ENG\\_CVM\\_CVM\\_34855\\_AA.3d\\_igs.zip](#)

English

Customer View Model

[ENG\\_CVM\\_CVM\\_34855\\_AA.3d\\_stp.zip](#)

English

By downloading the CAD file I accept and agree to the [Terms and Conditions](#) of use.

---

**Product Specifications**

[Application Specification](#)

English

---

**Agency Approvals**

[UL Report](#)

English

[UL Report](#)

English

[UL Report](#)

English