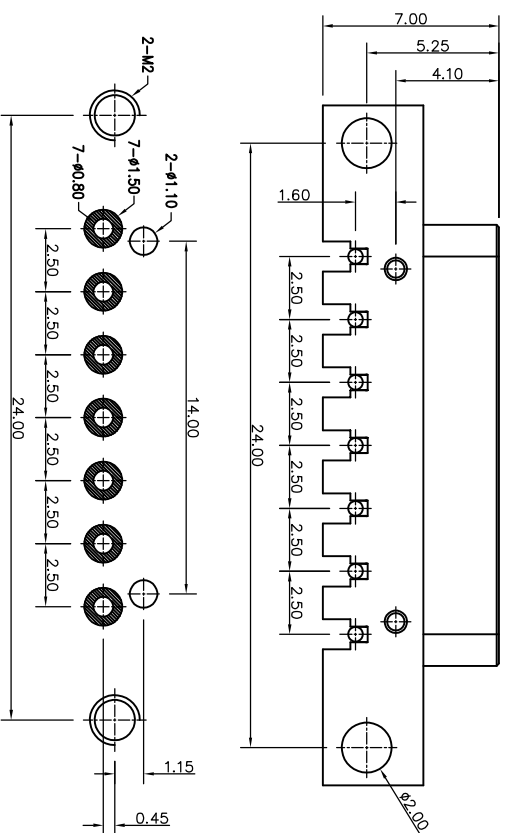
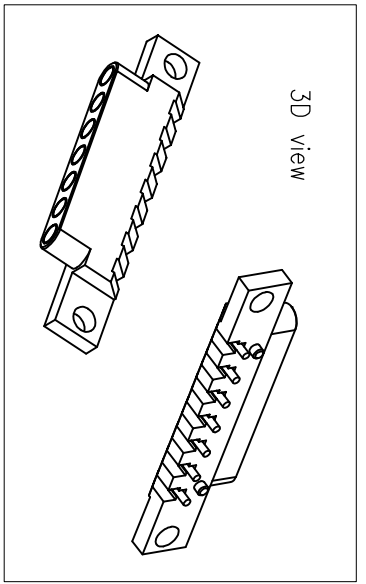
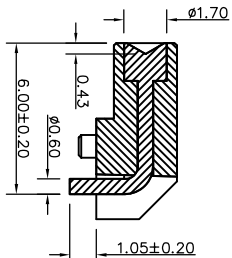
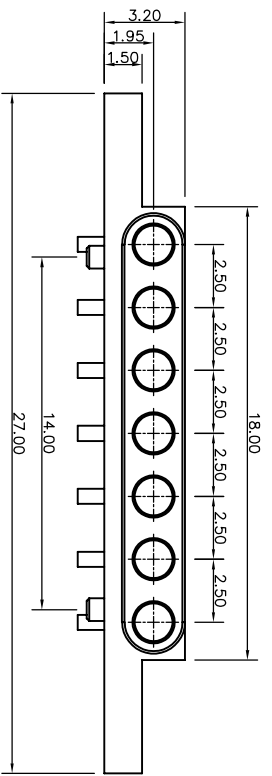
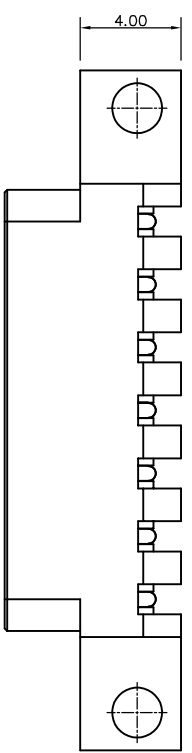


NO.	ECN NO.	DESCRIPTION	DATE
-----	---------	-------------	------



RECOMMENDED PCB LAYOUT

- Note:
- 1: Material (材料):  
Housing: PA9T+30%GF (胶芯: PA9T)  
Pin: Brass C3602 (针体: 黄铜 C3602)
  - 2: Plating (电镀):  
Pin: 1u' Au over 50~80u' Ni (针体: 镀金1u', 镍底50~80u'.)
  - 3: Electrical (电气特性):  
Rated Current & Voltage: DC 12V; 5A (额定电压&电流: 直流12V, 5A)  
Contact Resistance: 50 mohm Max. (接触电阻: 最大50毫欧)  
Insulation Resistance: 1,000MΩ minimum. (绝缘电阻: 1,000MΩ以上)  
Dielectric Withstand Voltage: 500VAC/minute. (抗击电压: 500VAC/minute)  
Durability: 10,000 cycles(min) (寿命: 10000次)
  - 4: WorkTemperature (工作环境):  
Withstanding Higt Temperature: 280℃  
Operational Temperature: -40℃~+85℃
  - 5: RoHS compliant product.

深圳市鑫探技术有限公司  
 HTTP://WWW.XYZPOGOPIN.COM  
 TEL: 0755-28773277 FAX: 0755-28891353

SCALE: N/A UNIT: mm  
 SHEET: 1 of 1 PROJECTION: D.O  
 DATE: 2026.04.11 VER.

THE UNMARKED TOLERANCE ARE AS BELOW:

LENGTH	ANGLE	CHECKED BY:	APPROVED BY:	DWG. NO.	TITLE:
XXX ±0.05mm XX ±0.10mm X ±0.20mm	XXX ±0.50° XX ±1.00° X ±2.00°			YZ1319170608-07025-02	Pogo pin 连接器