



REV.	ECN NO.	REVISED	DATE

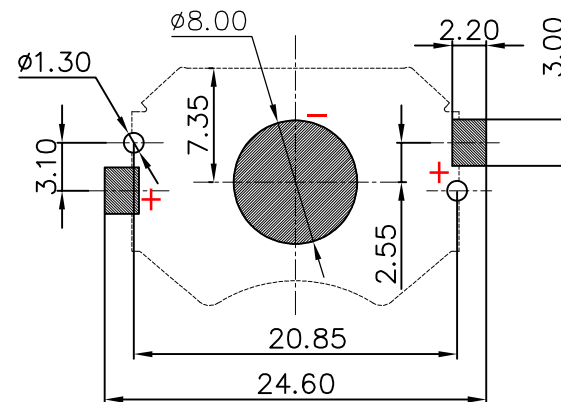
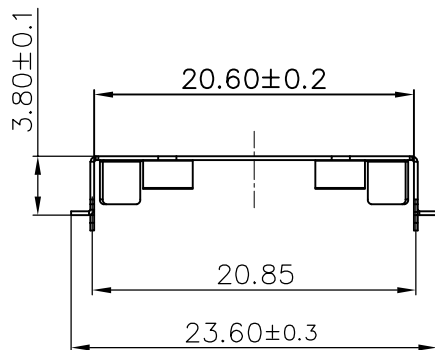
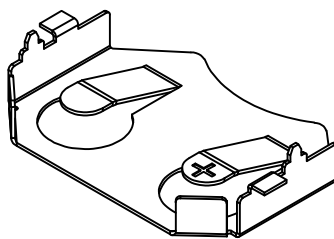
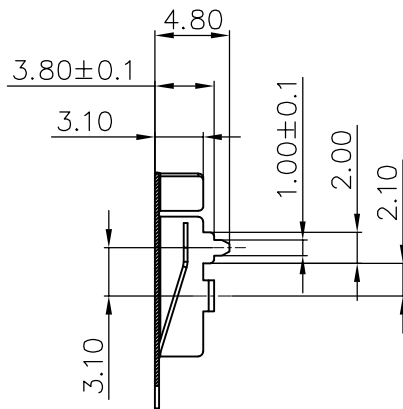
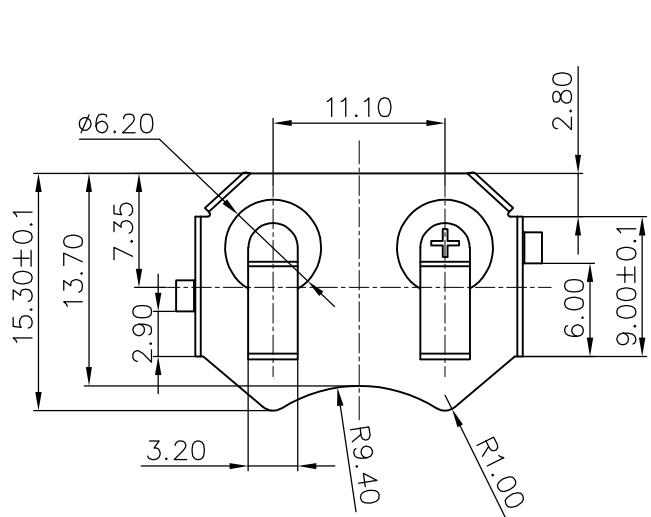
NOTE:

1.MATERIAL: C5191 T=0.25  
(SURFACE PLATING: Ni(280u"~400u")

2.ELECTRIC:  
a.CONTACT RESISTANCE: 100 MILLIOHMS

MAX

3.OPERATING TEMPERATURE: -25°C~+85°C



PCB Layout Diagram  
Main View

工程部  
2024-07-10  
LQ. HUANG

UNLESS OTHERWISE SPECIFIED TOLERANCES		<b>MYOUNG 美用</b> www.meiyangdz.com			
DECIMALS: X :±0.30 X.X :±0.25 X.XX :±0.20 X.XXX :±0.10	ANGLES: X :±1° X.X :±0.5°	DSND	Huanglieqing	DATE	2024-07-10
		CHKD	ZhouRuicai	DATE	2024-07-10
		APVD	XueShun Yong	DATE	2024-07-10
		SCALE:	SIZE: A4	VIEW:	⊙ ⊚
		WEIGHT:	9	UNIT: mm	REV.: A/0
		SHEET 1 OF 1		OBJECT: MY	
		TITLE:		电池扣CR2032-P AB001 Ni	
		PART NO.:		MY-2032-43-J	
		DRAW NO.:		MY-CP-0458	

1	TERMINAL(+)	1	C5191 T=0.25mm	Ni(280-400u")-Plating
NO.	PART NAME	Q'TY	MATERIAL	PLATING & COLOR