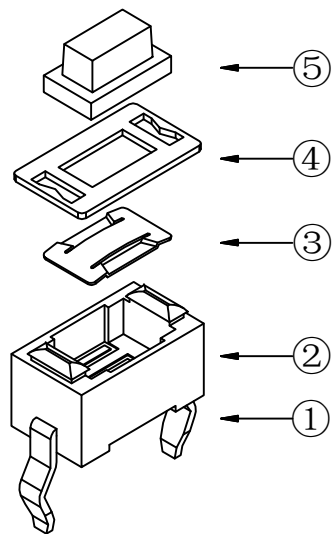
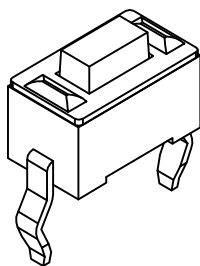
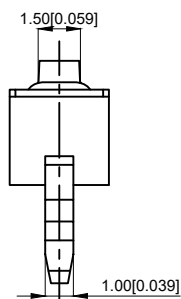
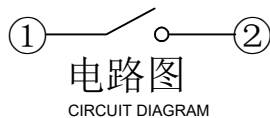
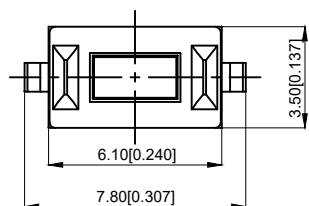


PCB.焊接图
PCB.WELDING DRAWING



NOTES:

- 1.Rating:12VDC 50mA
- 1.额定值: 12VDC 50mA
- 2.Dielectric Strength:250V AC
- 2.耐电压: 250V AC
- 3.Contact Resistance:≤100mΩ Max
- 3.接触电阻: ≤100mΩ
- 4.Insulation Resistance:≥100MΩ
- 4.绝缘电阻: ≥100MΩ
- 5.Operating Force:160±50gf
- 5.操作力: 160±50gf
- 6.Life: 20,000 times
- 6.寿命: 20,000 times
- 7.Travel: 0.20±0.10mm
- 7.行程: 0.20±0.10mm
- 8.Operating Temperature Range: -20℃~80℃
- 8.工作温度: -20℃~80℃

| | | | | |
|----------|-------------------|------------------|-----------|---------------------------|
| 5 | Button 按钮 | PPA | 1 | White 白色 |
| 4 | Cover plate 盖板 | Iron cover plate | 1 | Copper tin plating 镀铜锡 |
| 3 | Shrapnel 弹片 | SUS | 1 | Ag plating 镀银 |
| 2 | Body 本体 | PPA | 1 | Whith Black 白色 黑色 |
| 1 | card 卡件 | Brass | 1 | Ag plating 镀银 |
| NO 序号 | Part name 部件名 | Material 材料 | QTY 数量 | Remark 备注 |

| | | | | |
|-----|------|----------|-------------|-------|
| A4 | | | | |
| A3 | | | | |
| A2 | | | | |
| A1 | | | | |
| REV | DATE | REVISION | DESCRIPTION | ISSUE |



COMMON TOLERANCE

| | |
|---------|--------|
| X.XX | ± 0.10 |
| X.X | ± 0.15 |
| X | ± 0.25 |
| ANGULAR | — |

| | | | | |
|--|--------|------------|------|----------------------|
| UNIT | MM | PROJECTED | | PRODUCT NAME: |
| DRAWN BY | FUYUAN | CHECKED BY | COCO | MODEL NO: TP15011650 |
| DATE | 2019 | APPROVAL B | ALEN | Https: www.rocpcu.tw |
| ROCPCU TECHNOLOGY CO.,LTD | | | | |
| Copies are issued in strict confidence and shall not be reproduced or copied,or used as the basic of manufacture or sale of apparatus without permission | | | | |