

标记 MARK	ECN编号/变更内容 ECN NO/DEFINITION	修改 REVISE	日期 DATE	核准 APPROVE

CKI	DIM A	DIM B	DIM C
2	1.00	3.06	6.90
3	2.00	4.06	7.90
4	3.00	5.06	8.90
5	4.00	6.06	9.90
6	5.00	7.06	10.90
7	6.00	8.06	11.90
8	7.00	9.06	12.90
9	8.00	10.06	13.90
10	9.00	11.06	14.90
11	10.00	12.06	15.90
12	11.00	13.06	16.90
13	12.00	14.06	17.90
14	13.00	15.06	18.90
15	14.00	16.06	19.90
16	15.00	17.06	20.90
17	16.00	18.06	21.90
18	17.00	19.06	22.90
19	18.00	20.06	23.90
20	19.00	21.06	24.90
21	20.00	22.06	25.90
22	21.00	23.06	26.90
23	22.00	24.06	27.90
24	23.00	25.06	28.90
25	24.00	26.06	29.90
26	25.00	27.06	30.90
27	26.00	28.06	31.90
28	27.00	29.06	32.90
29	28.00	30.06	33.90
30	29.00	31.06	34.90
32	31.00	33.06	36.90

A

B

C

D

E

F

G

A

B

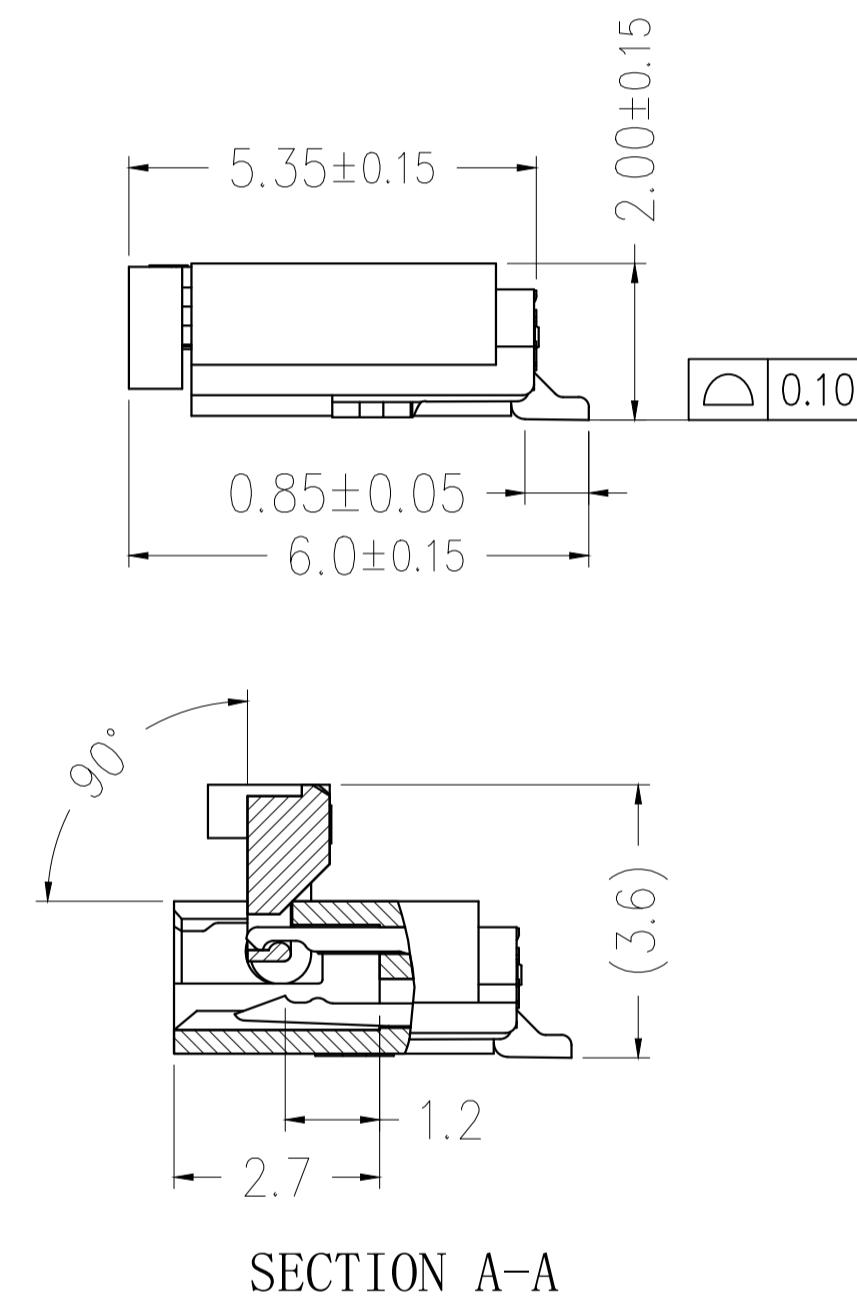
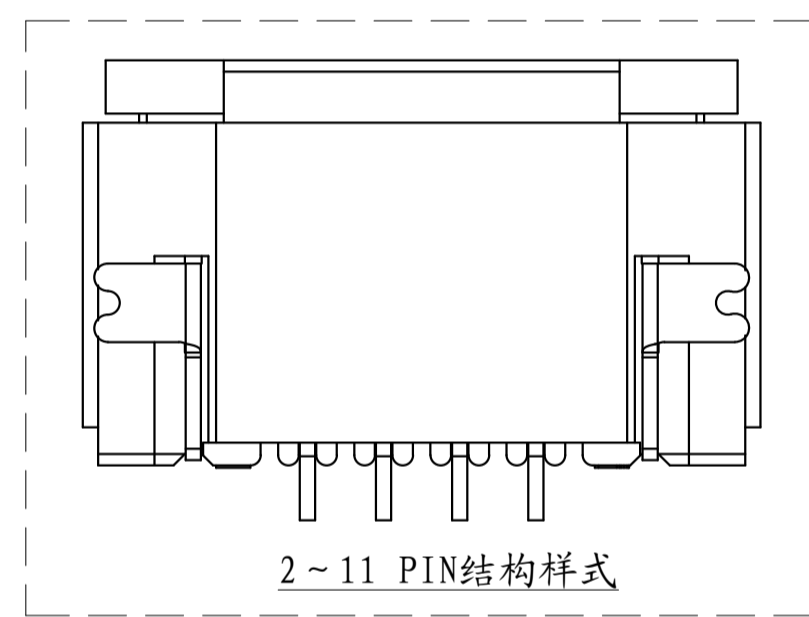
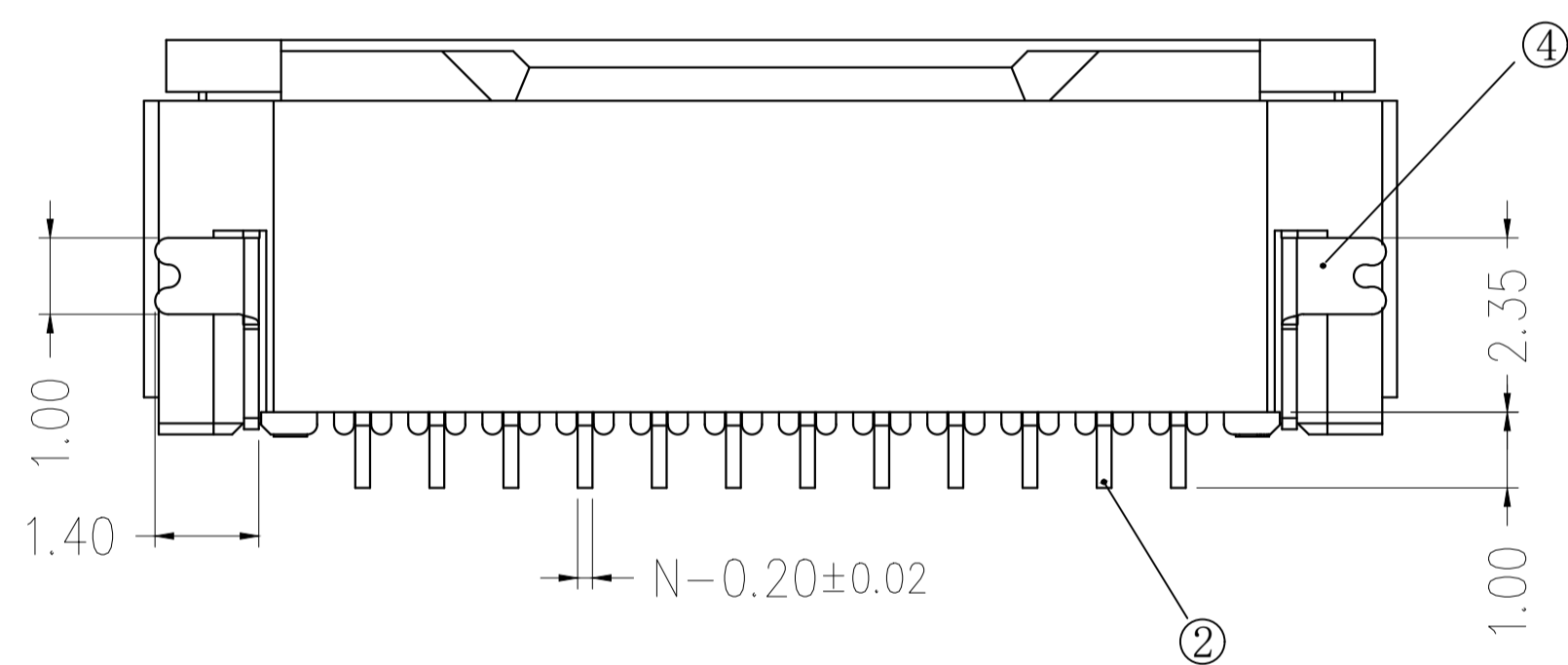
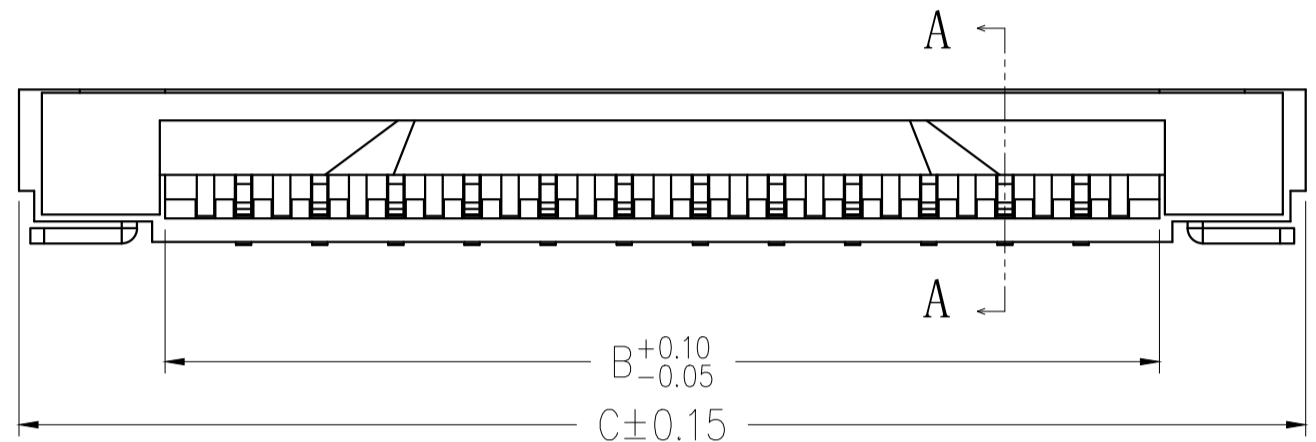
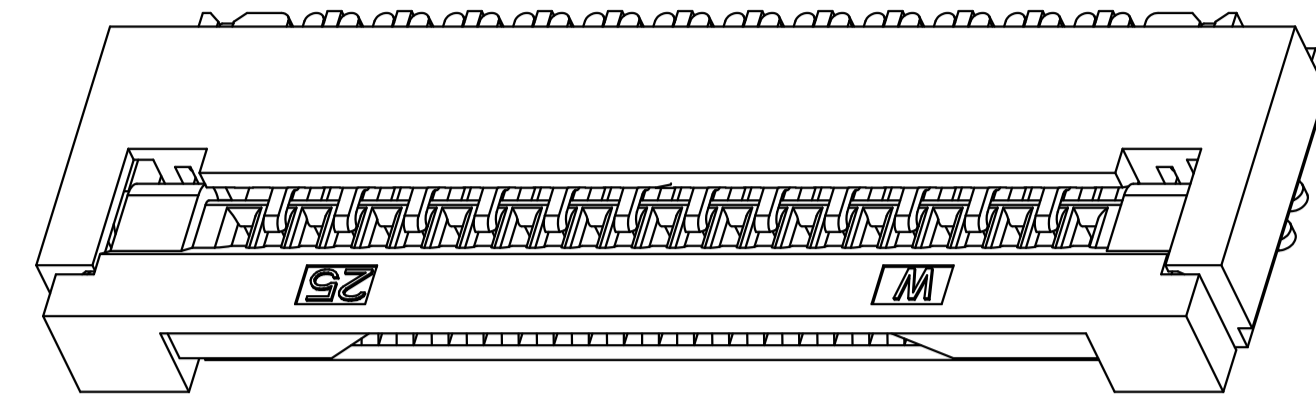
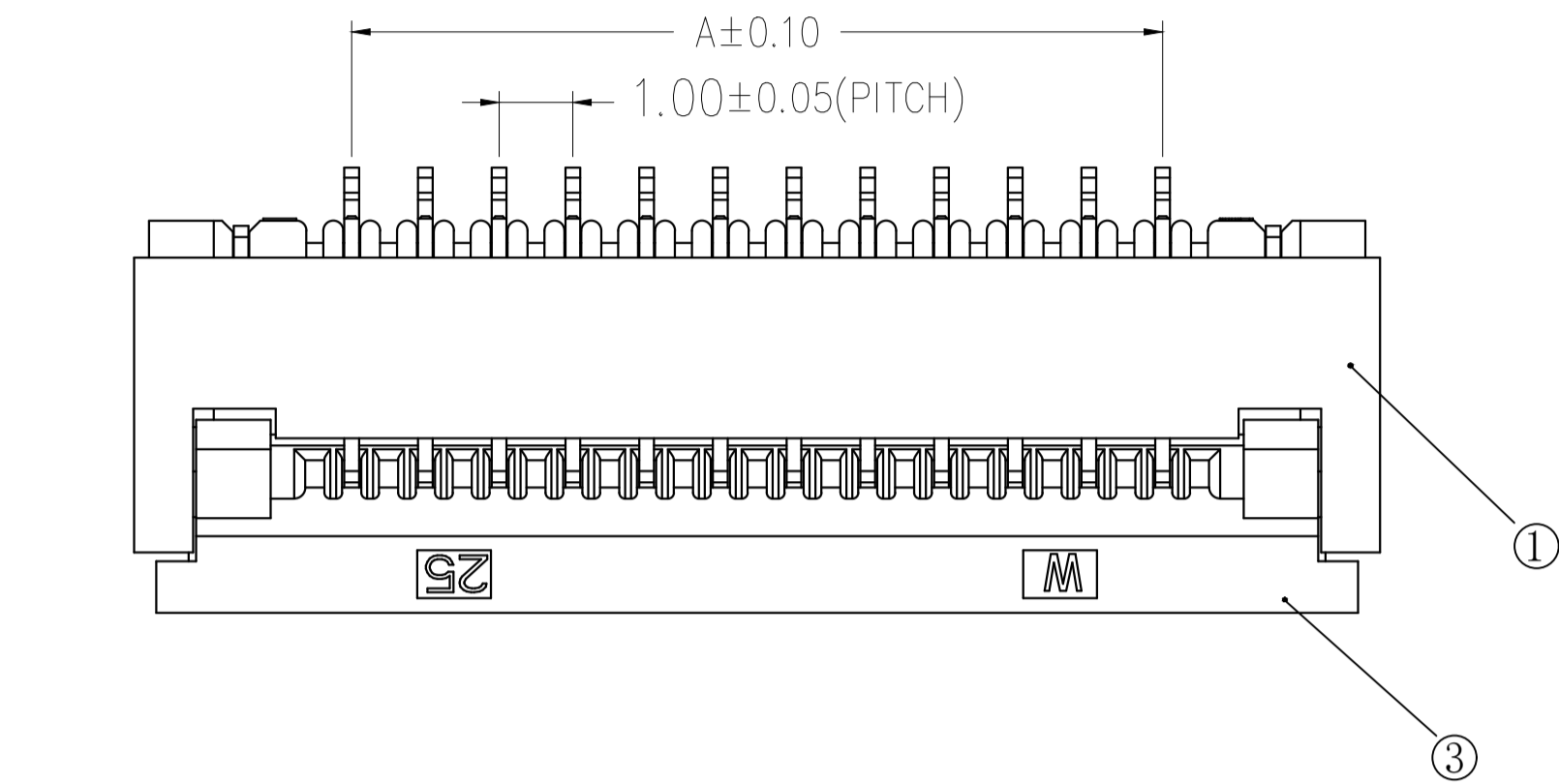
C

D

E

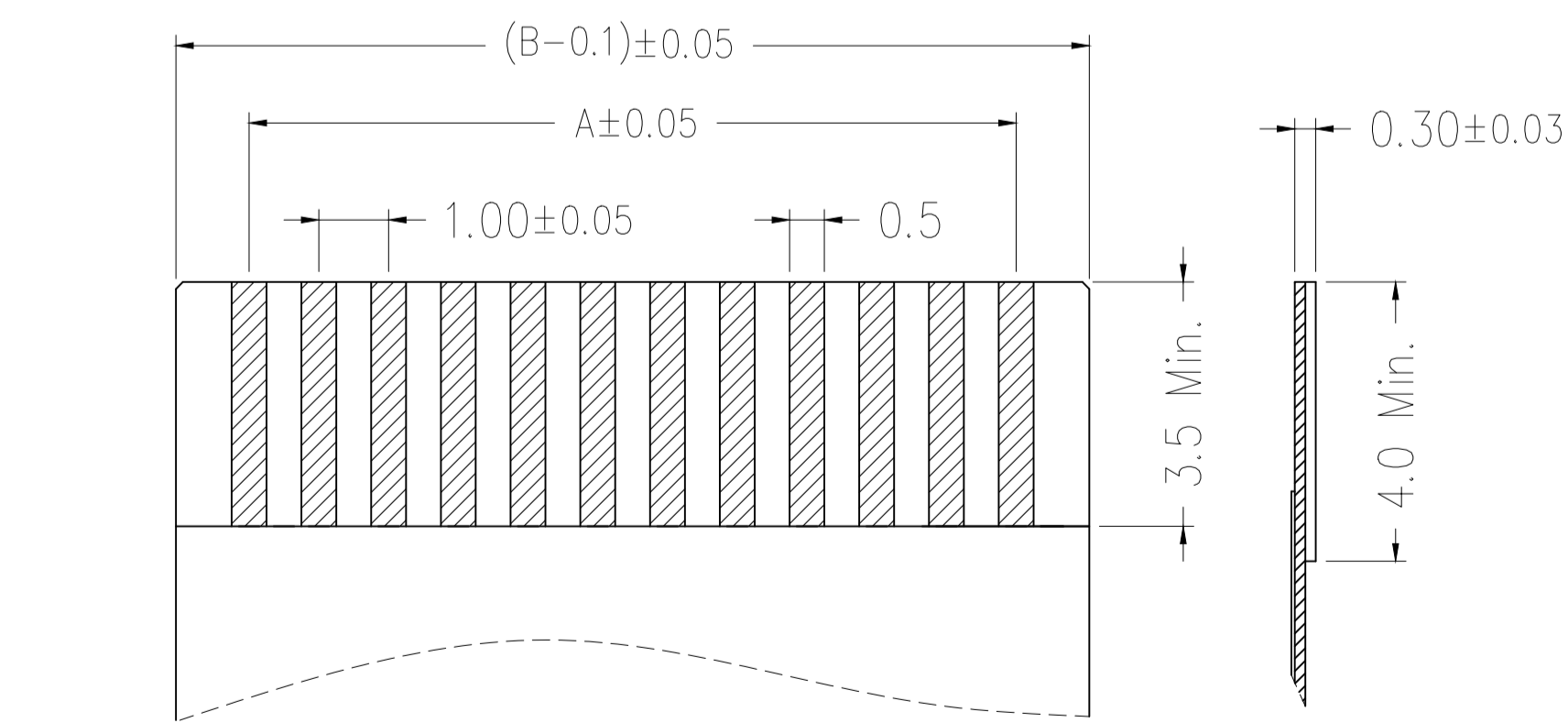
F

G

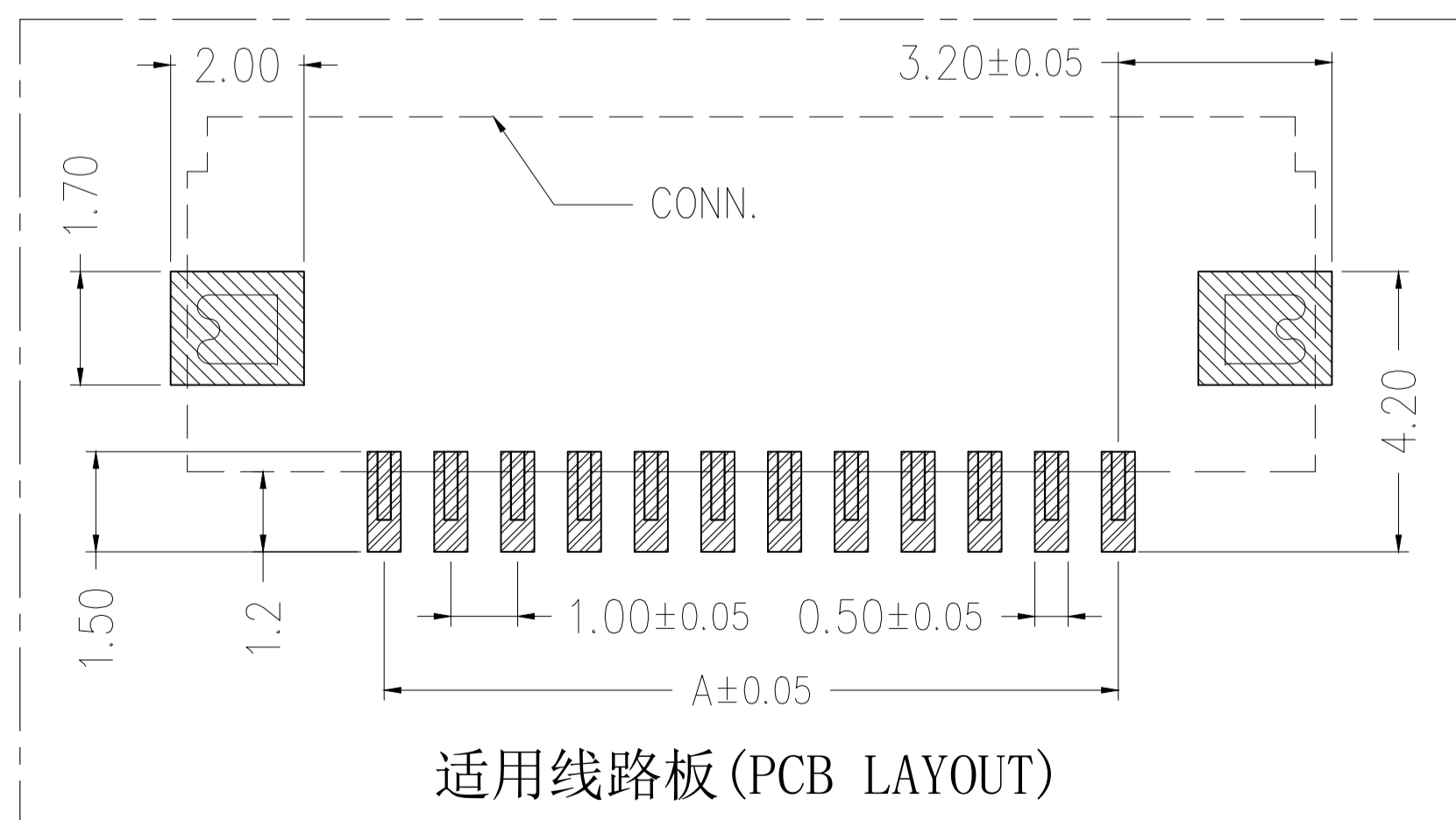


技术指标 (Technical Index):

1. 塑件表面应光洁、无毛边、无明显收缩、缺陷、裂纹等现象。(The surface of the plastic parts should be smooth, no rough edges, no obvious shrinkage, defects, cracks and other phenomena.)
2. 温度范围 (Temperature range): -25° C ~ 85° C.
3. 额定电压 (Rated voltage): 50V, AC/DC (=等效).
4. 接触电阻 (Contact resistance): ≤ 0.03Ω.
5. 绝缘电阻 (Insulation resistance): ≥ 500MΩ.



适用扁平线 (Applicable Flat Cable)



适用线路板 (PCB LAYOUT)

序号	品名	材质	电镀/颜色	备注
2	端子	铜	镀锡	
1	胶芯	LCP	黑色	

	深圳市虹成电子有限公司 TITLE: FPC座 PART NO: HC-FPC-1.0-7P-FH20		
	GENERAL TOLERANCES (UNLESS SPECIFIED) X. ±.50 .XX ±.10 .X ±.20 .XXX ±.05 ANGLES ±1°	比列 SCALE: 1:1 单位 UNIT: MM 张数 PART NO: 1 OF 1 版本 REV: A	

