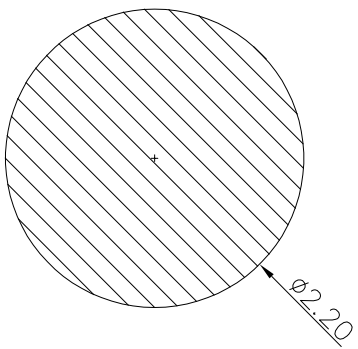
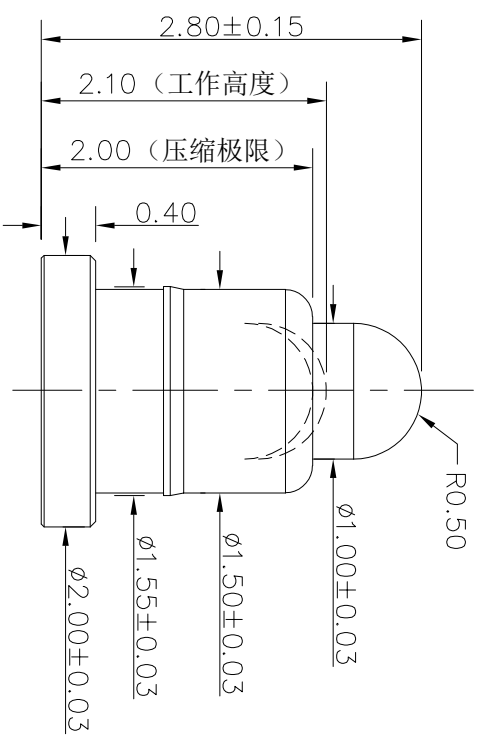


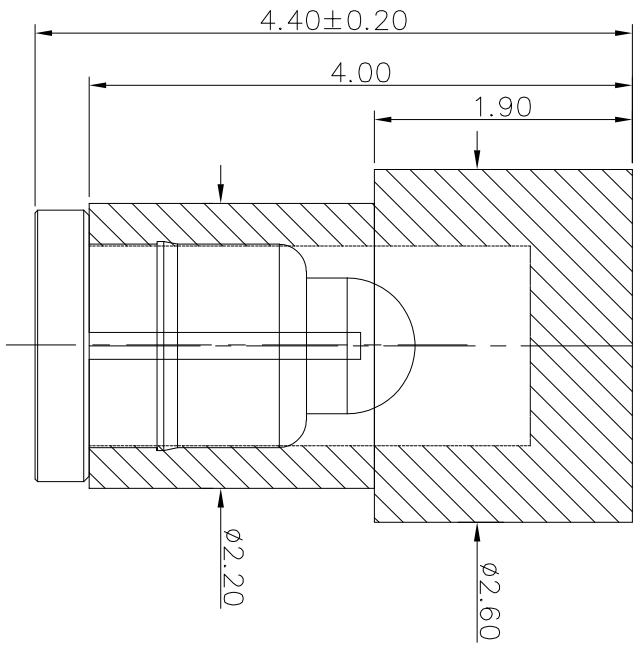
NO.	ECN NO.	DESCRIPTION	DATE
1			



RECOMMENDED PCB LAYOUT

Note:

- 1: Material(材料) :  
 Barrel: Brass C3604 (针管: 黄铜 C3604)  
 Plunger: Brass C3604 (针头: 黄铜 C3604)  
 Spring: SUS304 (弹簧: SUS304)
- 2: Plating(电镀) :  
 Barrel: 3u' Au over 50~80' u Ni(针管: 镀金3u', 镍底50~80u'. )  
 Plunger: 3u' Au over 50~80' u Ni (针头: 镀金3u', 镍底50~80u'. )  
 Spring: No plated (弹簧: 不电镀)
- 3: Electrical(电气特性) :  
 Rated Current & Voltage: DC 12V;1A (额定电压&电流: 直流12V,1A)  
 Contact Resistance: 50 mohm Max. at working height.  
 接触电阻: 最大50毫欧 (在工作高度状态下)
- 4: Mechanical(机械性能) :  
 Force: 120g±20% at working height. (120g±20% 在工作高度)。  
 Durability: 10.000 cycles(min) (寿命: 10000次)
- 5: WorkTemperature(工作环境):  
 Withstanding Higt Temperature: 280℃  
 Operational Temperature: -40℃~ +85℃



深圳市鑫探技术有限公司

HTTP://WWW.XYZPOGOPIN.COM  
 TEL.:0755-28773277 FAX:0755-28891353



SCALE:	N/A	UNIT	mm	THE UNMARKED TOLERANCE ARE AS BELOW :		DESIGNED BY:	DWG. NO.	YZ203115028R-04
SHEET:	1 of 1	PROJECTION		LENGTH	ANGLE	CHECKED BY:	TITLE:	Pogo Pin
DATE:	2026.04.22	VER.	A.0	±0.05mm ±0.10mm ±0.20mm	±0.50° ±1.00° ±2.00°	APPROVED BY:		