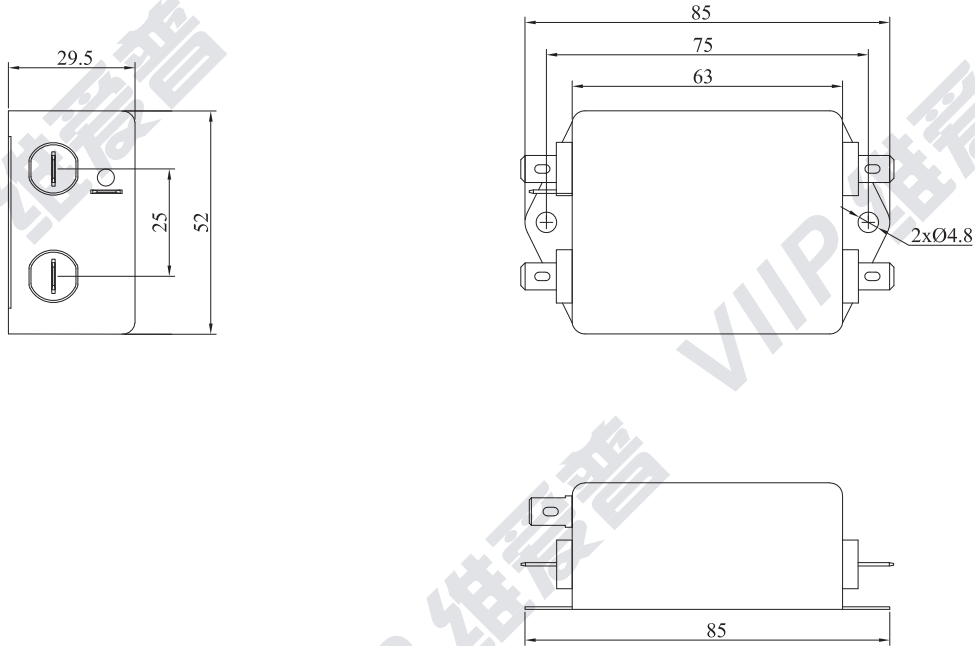


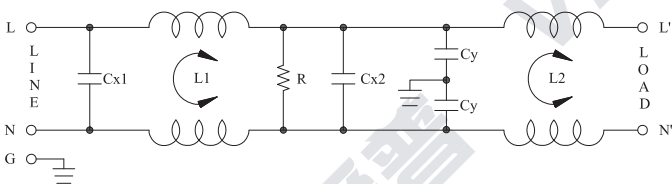
# SPECIFICATION

Physical Dimensions(尺寸图):

Unit(单位):mm



Electrical Schematic (电路图)



Minimum Insertion Loss in dB:(AT 50 Ohm System)

在50欧姆系统下，插入损耗值(分贝)

| MHz (频率)          | 0.15 | 0.5 | 1  | 5  | 10 | 30 |
|-------------------|------|-----|----|----|----|----|
| COM.MODE<br>(共模)  | 53   | 80  | 83 | 73 | 61 | 41 |
| DIFF.MODE<br>(差模) | 28   | 69  | 62 | 54 | 43 | 27 |

\*ABOVE TABLES ARE REFERENCE ONLY. (\*以上数据仅供参考)

Characteristics(电气特性):

Voltage Rating(额定电压):115/250VAC

Current Rating(额定电流):3A

Leakage Current(漏电流):LN-G 0.6mA

Temperature Range(温度范围): -25°C~+100°C

Operating Frequency(操作频率): 50/60Hz

Hi-pot(耐压测试)

Line to Ground(线对地端):LN-G 2000VAC

Line to Line(线对线):L-N 500VDC

Safety Approvals(安规认证):



| Model.(型号) | Unit(单位) | Rev.(版本) | Dimension Limit(尺寸范围) | Tolerance(公差) |
|------------|----------|----------|-----------------------|---------------|
| VIP4-2A-03 | mm       | Rev.4.0  | 0 ~ 10                | ±0.3          |
| Q0929      |          |          | 10 ~ 100              | ±0.5          |
|            |          |          | 100 ~ 150             | ±0.8          |
|            |          |          | 150 ~ 250             | ±1.0          |

