



# 产品承认书

## SPECIFICATION FOR APPROVAL

客户名称:

CUSTOMER

我司料号:

OUR PART NO.

XRSQ1918-30mH-V-1013

我司品名:

OUR PART NAME

SQ扁平线电感

送样日期:

DATE SAMPLES

数量:

QUANTITY

0PCS

### 制造确认 MANUFACTURER APPROVE

拟制 DRAWN	审核 CHECKED	确认 APPROVED

### 客户确认 CUSTOMER APPROVE

客户名称 CUSTOMER NAME:

客户料号 CUSTOMER P/N:

规格型号 DESCRIPTION:

SQ1918 立式 30mH 10\*13 脚距 0.13t\*1.0线

检查结果:  合格  不合格

签名及盖章:

INSPECT RESULT ACCEPT REJECT

SIGNATURE AND STAMP

说明 REMARK:

如对本承认书内容有异议请提出或标记发送至我司, 本承认书在未收到异议回复时于本承认书提供一周后生效。

东莞市祥如电子有限公司

地址: 广东省东莞市塘厦镇莲湖第一工业区南二横路36号B栋

电话: 0769-86346548 传真: 0769-86346358

邮箱: dgxiangru@126.com



# 东莞市祥如电子有限公司

## SPECIFICATION FOR APPROVAL

CUSTOMER \_\_\_\_\_  
CUSTOMER 'S PART NO \_\_\_\_\_ VER \_\_\_\_\_ A  
DESCRIPTION SQ1918-30mH 立式 10x13 脚距 OUR DRAWING NO XRSQ1918-30mH-V-1013

### A REVISION HISTORY

DATE OF	REVISED PROJECT	EDITION	NOTE
2019/07/22	NEEW VERSION	A	
2024/07/19	REVISION		

PPROVED BY	CHECKED BY	PREPARED BY	UNIT	mm
李振雄	唐文	谢诗珍	DATE	2024/07/19
			REV NO.	A

# 东莞市祥如电子有限公司

## SPECIFICATION FOR APPROVAL

CUSTOMER \_\_\_\_\_

CUSTOMER 'S PART NO \_\_\_\_\_

VER \_\_\_\_\_

A

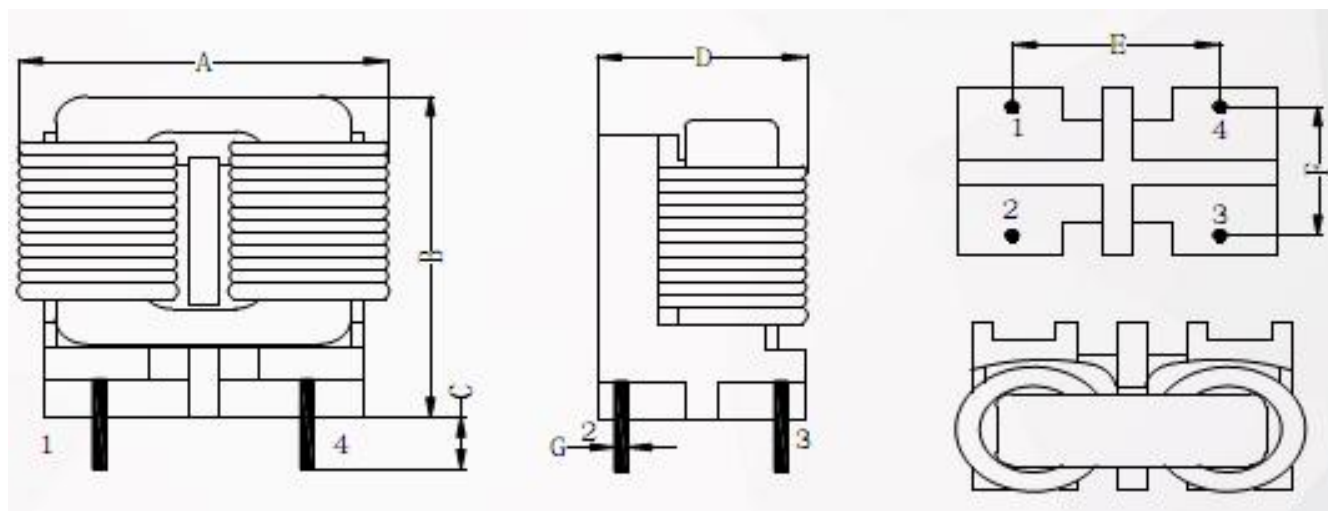
DESCRIPTION \_\_\_\_\_

SQ1918-30mH 立式 10x13 脚距

OUR DRAWING NO \_\_\_\_\_

XRSQ1918-30mH-V-1013

### 1. APPEARANCE & DIMENSION (UNIT: mm):



A	B	C	D	E	F	G	H
24MAX	26.5MAX	3.5±0.5	15MAX	13±0.5	10±0.5	0.6±0.1	

#### NOTE:

1. 产品共模绕制。
2. 产品需含浸凡立水固定。
3. 焊点不可高于底座支点。

PPROVED BY	CHECKED BY	PREPARED BY	UNIT	mm
李振雄	唐文	谢诗珍	DATE	2024/07/19
			REV NO.	A

# 东莞市祥如电子有限公司

## SPECIFICATION FOR APPROVAL

CUSTOMER \_\_\_\_\_

CUSTOMER 'S PART NO \_\_\_\_\_

DESCRIPTION \_\_\_\_\_

SQ1918-30mH 立式 10x13 脚距

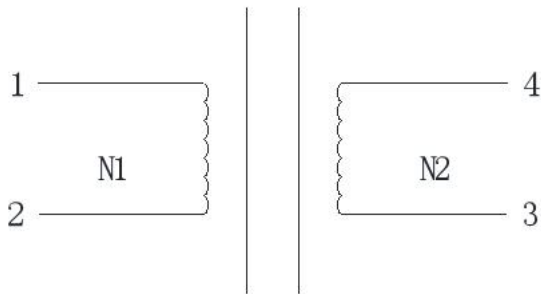
VER \_\_\_\_\_

A

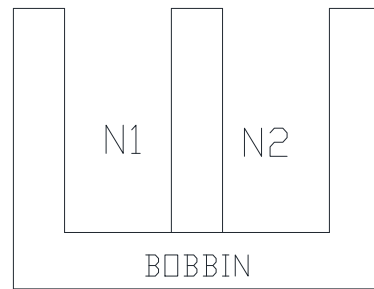
OUR DRAWING NO \_\_\_\_\_

XRSQ1918-30mH-V-1013

### 2. SCHEMATIC:



### 3. WINDING SEQUENCE:



### 4. WINDING TABLE

ORDER	WIRE SIZE	START	END	TURNS	LAYER	INSULATION	
N1	0.13t × 1.0mm UEWH 扁平线	1	2	73TS (REF)	CLOSE		
N2	0.13t × 1.0mm UEWH 扁平线	4	3	73TS (REF)	CLOSE		

PPROVED BY	CHECKED BY	PREPARED BY	UNIT	mm
李振雄	唐文	谢诗珍	DATE	2024/07/19
			REV NO.	A





# 东莞市祥如电子有限公司

## SPECIFICATION FOR APPROVAL

CUSTOMER \_\_\_\_\_

CUSTOMER 'S PART NO \_\_\_\_\_

VER \_\_\_\_\_

A

DESCRIPTION \_\_\_\_\_

SQ1918-30mH 立式 10x13 脚距

OUR DRAWING NO \_\_\_\_\_

XRSQ1918-30mH-V-1013

### 6. MATERIAL LIST:

No	ITEM	MATERIAL	CLASS	UL NO.	MANUFACTURER	OPT.
1	CORE	SQ1918 12K			ACMEElectronics (Guangzhou) Co;Ltd	√
		SQ1918 12K			SHANGDONG hengrui magnet technology CO.,LTD	√
		SQ1918 12K			DongGuan City JiuXin Magnetic Material Co.,Ltd	√
		SQ1918 12K			TengZhou MingJi Magnetism Industry Co., Ltd.	√
2	BOBBIN	T375HF	150°C	E59481	CHANG CHUN PLASTICS CO LTD	√
3	WIRE	@* FIWx180	180°C	E234867	SUNTEK HOLDINGS LIMITED	√
		@* UEW180	180°C	E504985	Guangdong Lizewire Electric Technology Co Ltd	√
4	VARNISH	E962	130°C	E335405	ZHUHAI CHANGXIAN NEW MATERIALS TECHNOLOGY CO LTD	√
5	锡	无铅锡条 /Sn99.9			Dongguan City Thousand Island METAL Foil CO LTD	√

Page6/7

PPROVED BY	CHECKED BY	PREPARED BY	UNIT	mm
李振雄	唐文	谢诗珍	DATE	2024/07/19
			REV NO.	A



# 东莞市祥如电子有限公司

## SPECIFICATION FOR APPROVAL

CUSTOMER \_\_\_\_\_

CUSTOMER 'S PART NO \_\_\_\_\_

VER \_\_\_\_\_

A

DESCRIPTION \_\_\_\_\_

SQ1918-30mH 立式 10x13 脚距

OUR DRAWING NO \_\_\_\_\_

XRSQ1918-30mH-V-1013

### 7. THE INSPECTION REPORT

ITEM	TEXT SPEC.	1	2	3	4	5
L 值(1-2)	30mH MIN 1KHZ 0.25V 25°	45.32	45.58	48.26	51.39	51.86
L 值(3-4)	30mH MIN 1KHZ 0.25V 25°	45.32	45.58	48.26	51.39	51.86
DCR 值(1-2)	350mΩ MAX AT 25°C	OK	OK	OK	OK	OK
DCR 值(3-4)	350mΩ MAX AT 25°C	OK	OK	OK	OK	OK
HI-POT AC50/60Hz 5mA 3sec	COIL-COIL:1500V	OK	OK	OK	OK	OK
	COLI-CORE:1000V	OK	OK	OK	OK	OK

### TEST EQUIPMENT

INDUCTANCE	HI-POT	DC. R
CH-3250: ( )	E-SUN-19053 ( √ )	CH-502BC ( √ )
CH-1062: ( √ )		
CH-101: ( )		

Page7/7

PPROVED BY	CHECKED BY	PREPARED BY	UNIT	mm
李振雄	唐文	谢诗珍	DATE	2024/07/19
			REV NO.	A