

GT-TC074H-H038-L05

G-Switch

Operating Force

- A=160gf F=320gf
- B=250gf G=400gf
- C=100gf H=480gf
- D=70gf
- E=130gf

Switch Height (mm)

- H038=3.8 H043=4.3
- H045=4.5 H050=5.0
- H055=5.5 H060=6.0
- H065=6.5 H070=7.0
- H080=8.0 H085=8.5
- H090=9.0 H095=9.5
- H100=10.0

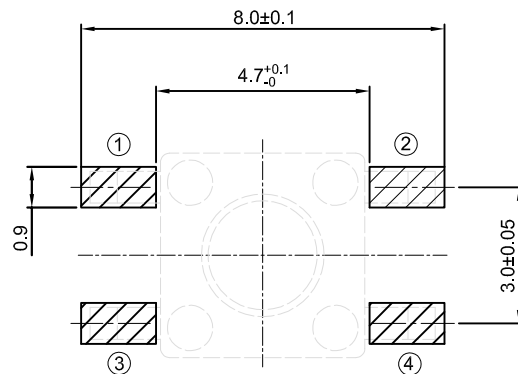
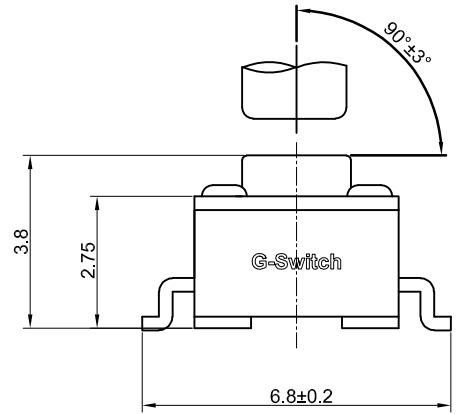
Switch Lifetime (Force)

- L05=50,000 Cycles(B, F, G)
- L1=100,000 Cycles(A, B)
- L3=300,000 Cycles(A, C, D)
- L5=500,000 Cycles(A, C, D)

G-Switch Specification:

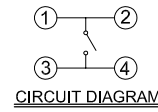
1. Operating temperature range: -40°C ~ +85°C
2. Rating: 50mA, 12V DC
3. Insulation resistance: 100MΩ min, 100V DC
4. Dielectric strength: 250V AC for 1 min
5. Contact resistance: 100mΩ max.
6. Travel: 0.25±0.1mm

Keying Tip Tilt



RECOMMENDED PCB LAYOUT
TOLERANCE: ±0.05

5	STEM	HIGH TEMPERATURE PLASTIC	BLACK
4	COVER	COPPER ALLOY	-
3	CONTACT	STAINLESS STEEL	Ag PLATING
2	BASE	HIGH TEMPERATURE PLASTIC	BLACK
1	TERMINAL	COPPER ALLOY	Ag PLATING
NO.	PART NAME	MATERIAL	REMARK



SCALE: 1:1 UNIT: mm
SIZE: A4

Unless otherwise General Tolerance:
X, ±0.40
X.x ±0.30
X.xx ±0.20
X* ±3°

Title: Vertical Tact Switch
SMT 4.5×4.5×H3.8mm

Molde Code: GT-TC074H-H038-L05

DRAWN	CHECKED	APPROVED	DATE
Jiang	Xia	Chen	2025.03.03



REV: A0 SHEET: 1/1