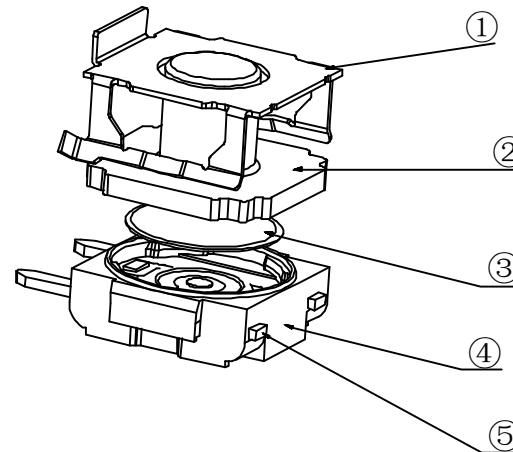
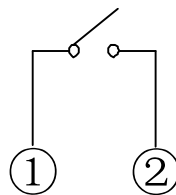
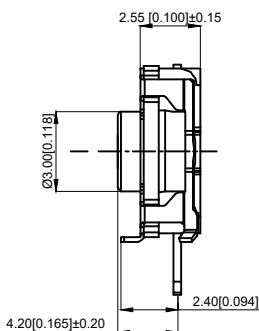
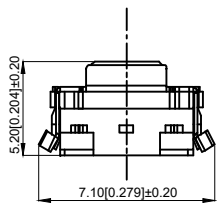


PCB.安装图



NOTES:

1. Rating: 12VDC 50mA
1. 额定值: 12VDC 50mA
2. Dielectric Strength: 250V AC
2. 耐压: 250V AC
3. Contact Resistance: ≤100mΩ Max
3. 接触电阻: ≤100mΩ
4. Insulation Resistance: ≥100MΩ
4. 绝缘电阻: ≥100MΩ
5. Working temperature: -40 °C ~ +85 °C
5. 工作温度: -40 °C ~ +85 °C
6. Stroke: 0.50 ± 0.20mm
6. 行程: 0.50 ± 0.20mm
7. Waterproof grade: IP67
7. 防水等级: IP67
8. Operating Force: 320 ± 60gf
8. 操作力: 320 ± 60gf
9. Life: 200,000 times
9. 寿命: 200,000 次



电路图

5	Terminal 端子	Barss	1	Ag plating 镀银
4	Pedestal 基座	PA6T	1	
3	Shrapnel 弹片	SUS	1	Ag plating 镀银
2	Button 按钮	Rubber	1	blue 蓝色
1	Cover 盖板	SUS	1	Ag plating 镀银
NO 序号	Part name 部件名	Material 材料	QTY 数量	Remark 备注

A4				
A3				
A2				
A1				
REV	DATE	REVISION	DESCRIPTION	ISSUE



COMMON TOLERANCE

X.XX	± 0.10
X.X	± 0.15
X	± 0.25
ANGULAR	—

UNIT	MM	PROJECTED		PRODUCT NAME:
DRAWN BY	FUYUAN	CHECKED BY	COCO	MODEL NO: TP14613252
DATE	2019	APPROVAL	B	Https: www.rocpcu.tw
<b>ROCPCU TECHNOLOGY CO.,LTD</b>				
<small>Copies are issued in strict confidence and shall not be reproduced or copied, or used as the basic of manufacture or sale of apparatus without permission</small>				