

# MBR(D/F)30150CT

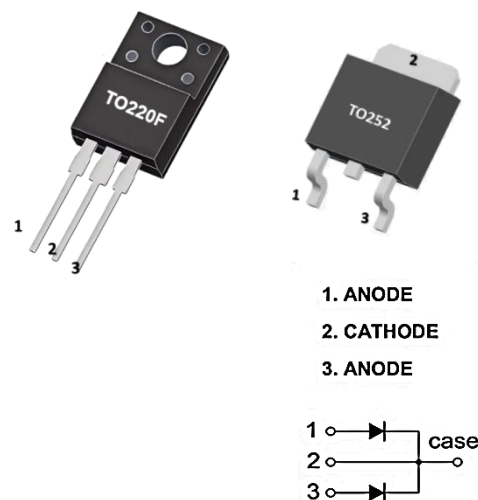
## SCHOTTKY BARRIER RECTIFIER

### DESCRIPTION

The MBR(D/F)30150CT meet the ROHS and Green Product requirement with full function reliability approved.

### FEATURE

- \* Guard Ring Die Construction for Transient Protection
- \* Low Power Loss,High Efficiency
- \* High Current Capability and Low Forward Voltage Drop



### MARKING (The image is for reference only. Please take the actual product as the standard)



MBR(D/F)30150CT=Device Code  
 XXXX(X)=Date Code  
 Solid Dot=Green molding compound

### ABSOLUTE MAXIMUM RATINGS (TA=25°C, unless otherwise specified.)

SYMBOL	PARAMETER		VALUE	UNIT
VRRM	Peak repetitive reverse voltage		150	V
VRWM	Working peak reverse voltage			
VR	DC blocking voltage			
VR(RMS)	RMS reverse voltage		105	V
IO	Average rectified output current		30(15*2)	A
IFSM	Non-Repetitive peak forward surge current (8.3ms half sine wave)		300	A
ROJc	Thermal resistance from junction to case ,Tc=25°C	TO-220F	3.0	°C/W
ROJA	Thermal resistance from junction to ambient	TO-220F	62.5	°C/W
Tj	Junction temperature		175	°C
Tstg	Storage temperature		-55~+150	°C

Notes: Absolute maximum ratings are those values beyond which the device could be permanently damaged. Absolute maximum ratings are stress ratings only and functional device operation is not implied.



# MBR(D/F)30150CT

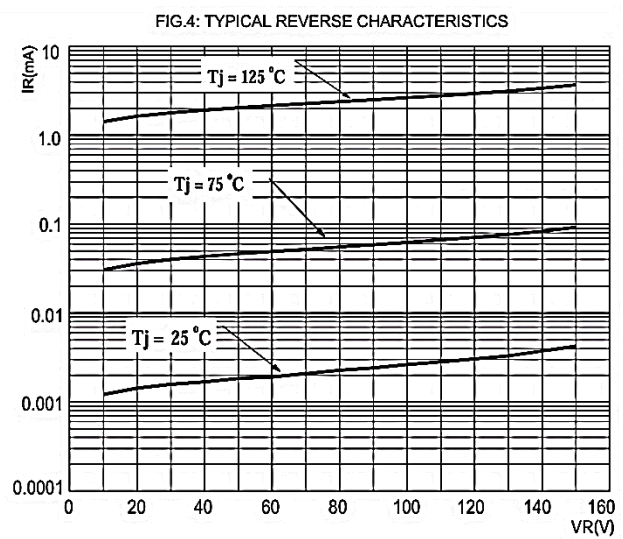
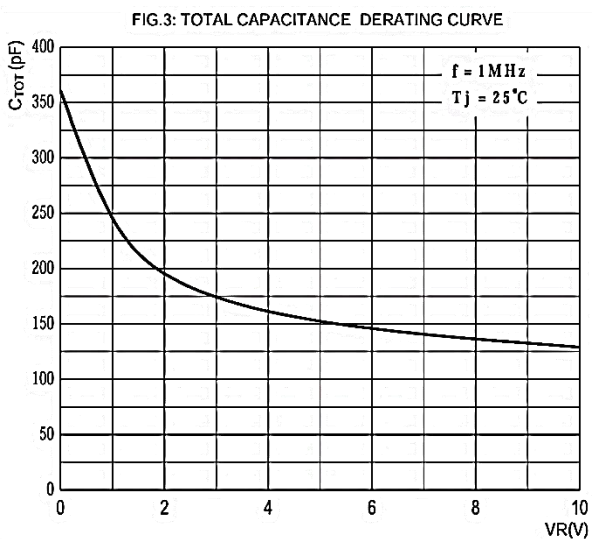
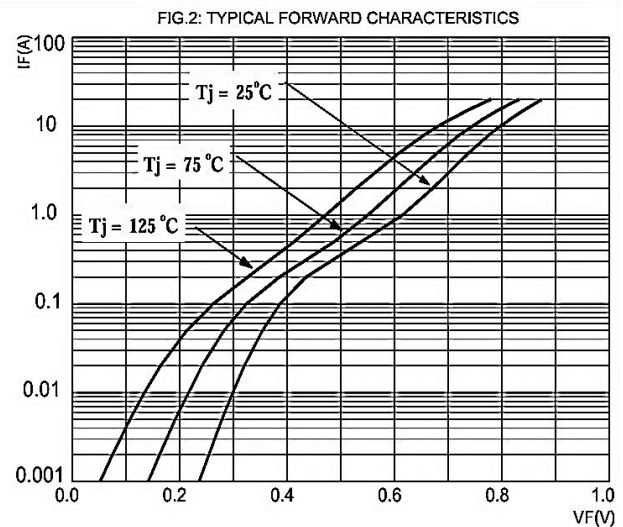
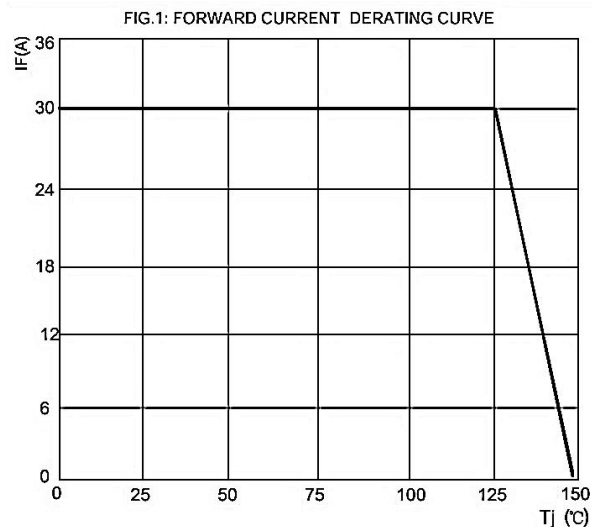
## SCHOTTKY BARRIER RECTIFIER

### ELECTRICAL CHARACTERISTICS (TA=25°C, unless otherwise specified)

PARAMETER	SYMBOL	TEST CONDITIONS	MIN	TYP	MAX	UNIT	
Reverse voltage	V(BR)	IR=0.2mA	155			V	
Reverse current	IR	VR=150V Tj=25°C			100	μA	
Forward voltage	VF	IF=5A	Tj=25°C		0.9	V	
			Tj=125°C		0.6	V	
		IF=15A	Tj=25°C			1.0	V
			Tj=125°C		0.78		V

\*Pulse test: pulse width ≤300μs, duty cycle ≤ 2.0%.

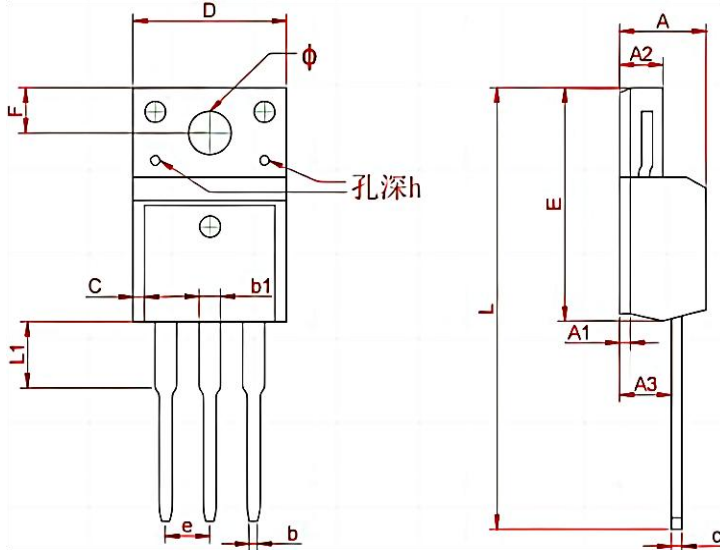
### TYPICAL CHARACTERISTICS



# MBR(D/F)30150CT

# SCHOTTKY BARRIER RECTIFIER

## TO - 220F Package Outline Dimensions



Symbol	Dimensions In Millimeters	
	Min	Max
A	4.300	4.750
A1	0.7 REF	
A2	2.300	2.850
A3	2.500	2.900
b	0.380	0.420
b1	1.220	1.280
C	1.08	1.200
c	0.480	0.520
D	10.15	10.450
E	15.700	15.950
e	2.574 TYP	
F	3.470 REF	
y	3.200 REF	
h	0.000	0.800
L	28.780	28.900
L1	2.990	3.100

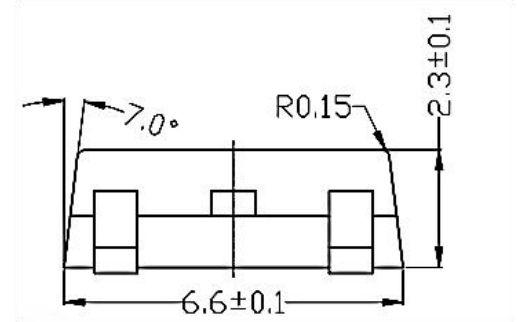
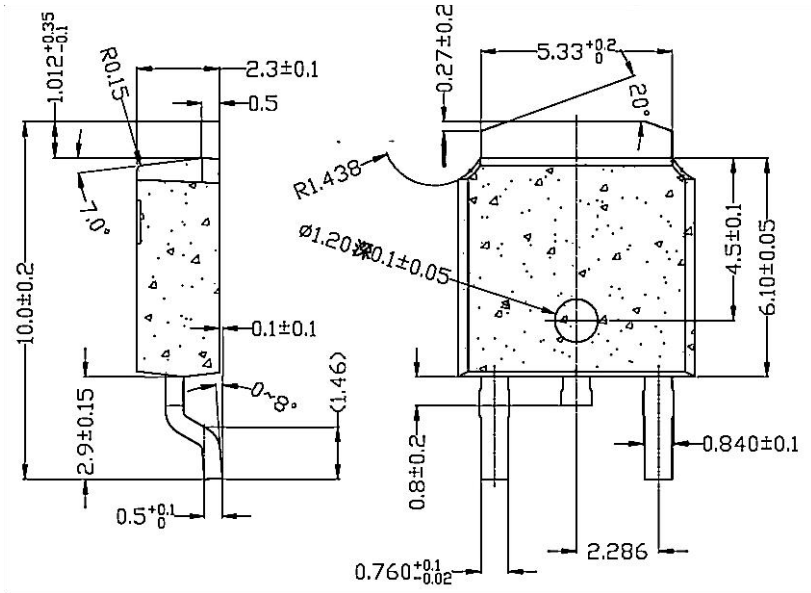
## TO - 220F Packing Information

Package version	Tube dimensions LxWxH (mm)	Per Tube (pcs)	Tube per box	Inner box dimensions LxWxH (mm)	PCS/ Inner box	Outer box dimensions LxWxH(mm)	PCS/ Outer box
TO-220F	530*32*7	50	20	580*155*50	1000	602*277*188	5000

# MBR(D/F)30150CT

# SCHOTTKY BARRIER RECTIFIER

## TO - 252 Package Outline Dimensions



## TO - 252 Packing Information

Package version	Reel dimensions $\Phi \times H$ (mm)	Per Reel (pcs)	Reels per box	Inner box dimensions $L \times W \times H$ (mm)	Outer box (pcs)	Outer box dimensions $L \times W \times H$ (mm)
TO-252	$\Phi 330 \times 20$	2500	2	360*340*50	25000	375*375*280