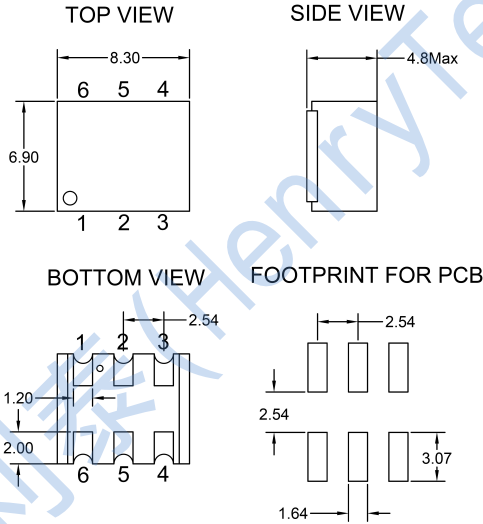




5-3500Mhz LO Power + 13 dBm Frequency Mixer

**HT-ADE-35MH+**

**Mechanical Dimensions:**



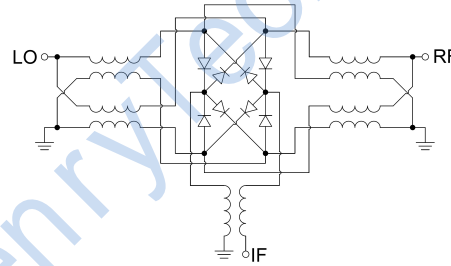
**Notes:**

- 1: Dimensions in mm.
- 2: Tolerance  $\pm 0.3\text{mm}$  unless otherwise noted.

**Ports Configuration:**

<b>IF</b>	<b>2</b>
<b>RF</b>	<b>3</b>
<b>LO(+13dBm)</b>	<b>6</b>
<b>Ground</b>	<b>1,4,5</b>

**Schematic:**

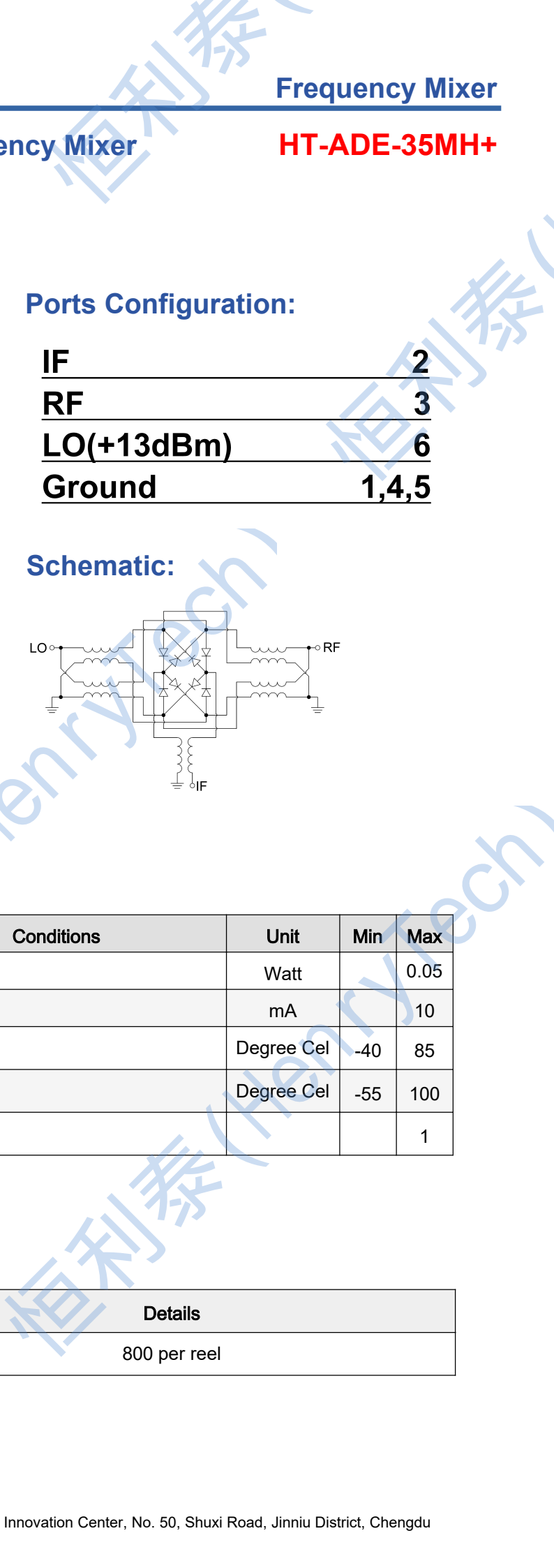


**Maximum Ratings:**

Parameters	Conditions	Unit	Min	Max
RF Power		Watt		0.05
DC Current		mA		10
Operating Temperature Range		Degree Cel	-40	85
Storage Temperature Range		Degree Cel	-55	100
Moisture Sensitivity Level				1

**Ordering Information:**

Part Description	Details
HT-ADE-35MH+	800 per reel





5-3500MHz LO Power + 13 dBm Frequency Mixer

HT-ADE-35MH+

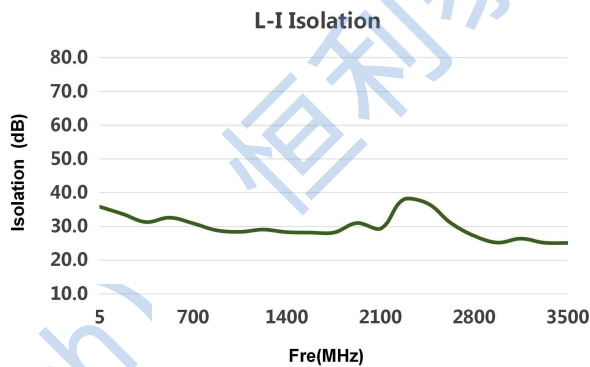
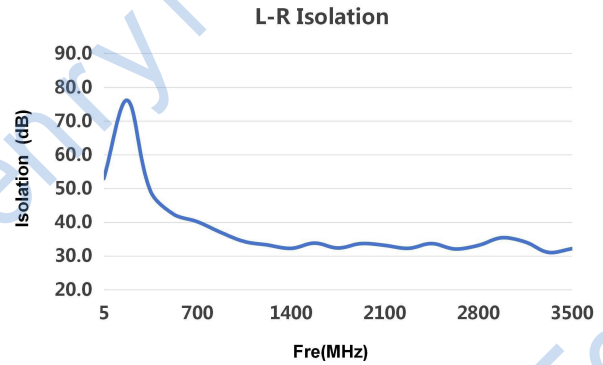
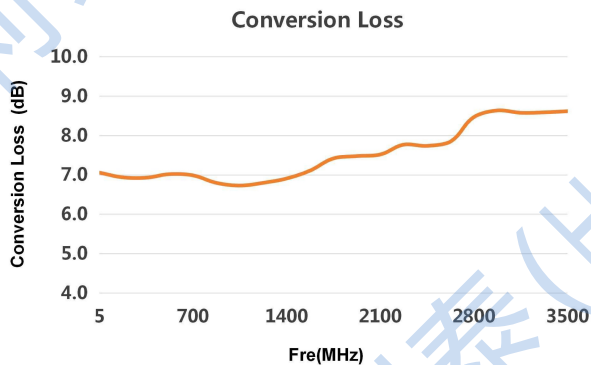
Electrical Specifications: Zo=50 Ohm , LO = +13 dBm

Parameter	Test Conditions	Unit	Min	Typical	Max
Frequency Range	-	MHz	5	~	3500
Conversion Loss	5-3500MHz	dB	-	-	10.5
LO-RF Isolation	5-3500MHz	dB	18	38	-
LO-IF Isolation	5-3500MHz	dB	17	23	-
1dB COMP.	5-3500MHz	dBm	-	9	-
IP3	5-3500MHz	dBm	-	18	-

Notes:

1: Specifications guaranteed over the operating temperature range.

Typical Performance Curves:



Typical Performance Data

Frequency (MHz)		Conversion Loss(dB)	Isolation L-R(dB)	Isolation L-I(dB)
RF	LO	LO(+13dBm)	LO(+13dBm)	LO(+13dBm)
5.00	35.00	7.06	52.96	35.87
50.00	80.00	6.83	54.20	35.30
100.00	130.00	6.89	58.43	34.79
200.00	230.00	6.94	76.18	33.68
400.00	430.00	6.93	49.22	31.30
600.00	630.00	7.02	42.33	32.61
800.00	830.00	6.80	37.02	28.86
1000.00	11030.00	6.73	34.32	28.40
1200.00	1230.00	6.80	33.28	29.06
1400.00	1430.00	6.91	32.28	28.31
1600.00	1630.00	7.11	33.85	28.17
1800.00	1830.00	7.42	32.39	28.16
2000.00	2030.00	7.48	33.71	31.01
2200.00	2230.00	7.77	32.29	38.01
2400.00	2430.00	7.74	33.71	36.87
2600.00	2630.00	7.85	32.11	31.00
2800.00	2830.00	8.47	33.18	27.22
3000.00	3030.00	8.64	32.73	25.31
3200.00	3230.00	8.41	35.43	25.21
3500.00	3530.00	8.60	34.82	25.91